

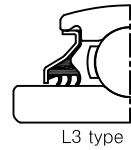
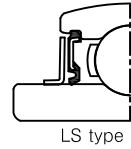
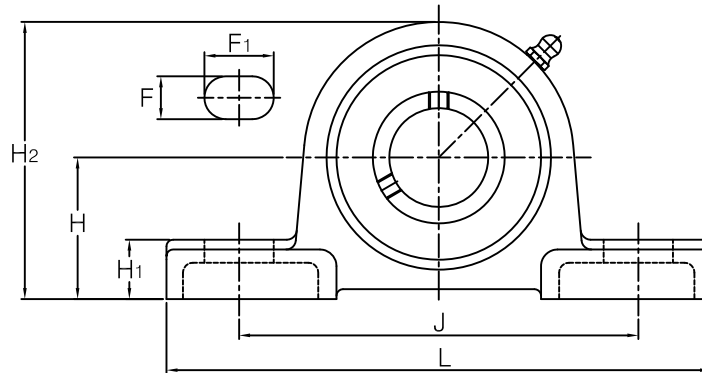
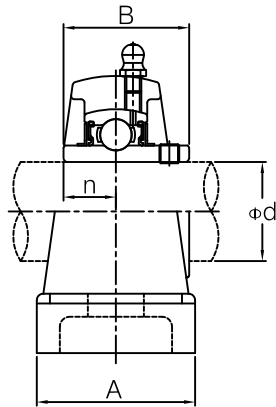
**B. Units
dimension table**

1. UCP2	-----	B01	26. UCFB2	-----	B26
2. UCPX	-----	B02	27. SALF2/SBLF2	-----	B27
3. UCP3	-----	B03	28. UCFC2	-----	B28
4. UKP2	-----	B04	29. UCFCX	-----	B29
5. UKPX	-----	B05	30. UKFC2	-----	B30
6. UKP3	-----	B06	31. UKFCX	-----	B31
7. HCP2	-----	B07	32. SAFCC2	-----	B32
8. UCPA2	-----	B08	33. SBFCC2	-----	B33
9. UCPH2	-----	B09	34. UCT2	-----	B34
10. SALP2/SBLP2	-----	B10	35. UCTX	-----	B35
11. UCF2	-----	B11	36. UCT3	-----	B36
12. UCFX	-----	B12	37. UKT2	-----	B37
13. UCF3	-----	B13	38. UKTX	-----	B38
14. UKF2	-----	B14	39. UKT3	-----	B39
15. UKFX	-----	B15	40. UCC2	-----	B40
16. UKF3	-----	B16	41. UCCX	-----	B41
17. UCFS3	-----	B17	42. UCC3	-----	B42
18. UKFS3	-----	B18	43. UKC2	-----	B43
19. UCFL2	-----	B19	44. UKCX	-----	B44
20. UCFLX	-----	B20	45. UKC3	-----	B45
21. UCFL3	-----	B21	46. UCHA2	-----	B46
22. UKFL2	-----	B22	47. SAPP2/SBPP2	-----	B47
23. UKFLX	-----	B23	48. SAPFL2/SBPFL2	-----	B48
24. UKFL3	-----	B24	49. SAPF2/SBPF2	-----	B49
25. UCFA2	-----	B25			

PILLOW BLOCK TYPE UNITS

UCP2

(Cylindrical bore)

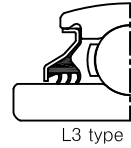
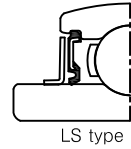
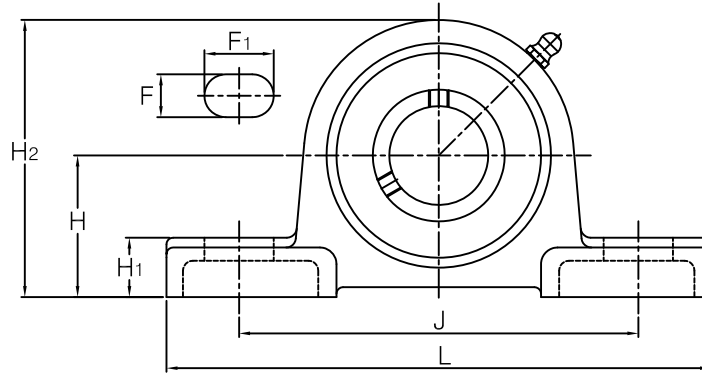
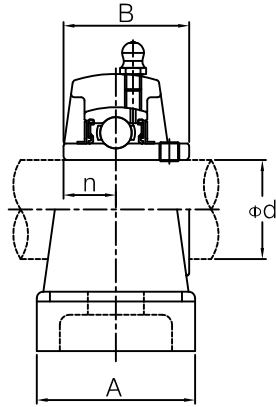


Unit No.	Shaft Dia.		Dimensions (in./mm)										Bolt used		Bearing No.	Housing No.	Weight (kgf)					
	(in.)	(mm)	H	L	A	J	F	F1	H1	H2	B	n	(mm)	(in.)								
UCP 201	1/2	12													10	3/8	UC 201	P 203	0.71			
201-8																			0.71			
202		15	13/16	5	127	36	325/32	1/2	3/4	35/64	225/64	1.2205	0.5000							0.69		
202-10		5/8	30.2	127	36	96	13	19	14	60	31	12.7							0.69			
203	11/16	17													10	3/8	UC 204-12	P 204	0.66			
203-11																				0.66		
UCP 204-12	3/4	20	15/16	5	11/2	33/4	1/2	3/4	35/64	29/16	1.2205	0.5000			10	3/8	UC 204-12	P 204	0.66			
204			33.3	127	38	95	13	19	14	65	31	12.7							0.66			
UCP 205-13	7/8	25													10	3/8	UC 205-13	P 205	0.8			
205-14			17/16	51/2	11/2	41/8	1/2	3/4	19/32	225/32	1.3425	0.5630							0.8			
205-15			15/16	36.5	140	38	105	13	19	15	71	34.1	14.3							0.8		
205																				0.8		
205-16	1														14	1/2	UC 206-17	P 206	0.8			
UCP 206-17	11/16	30												1.3								
206-18	11/8		111/16	61/2	17/8	43/4	21/32	13/16	21/32	39/32	1.5000	0.6260							1.3			
206			42.9	165	48	121	17	21	17	83	38.1	15.9							1.3			
206-19	13/16														1.3							
206-20	11/4													14	1/2	UC 207-20	P 207	1.6				
UCP 207-20	11/4	35																1.6				
207-21	15/16		17/8	69/16	17/8	5	21/32	13/16	45/64	321/32	1.6890	0.6890							1.6			
207-22	13/8		47.6	167	48	127	17	21	18	93	42.9	17.5							1.6			
207															1.6							
207-23	17/16													14	1/2	UC 208-24	P 208	2.0				
UCP 208-24	11/2	40																2.0				
208-25	19/16		115/16	71/4	21/8	513/32	21/32	13/16	45/64	327/32	1.9370	0.7480							2.0			
208			49.2	184	54	137	17	21	18	98	49.2	19							2.0			
UCP 209-26	15/8		45												14	1/2	UC 209-26	P 209	2.2			
209-27	111/16	21/8		715/32	21/8	53/4	21/32	13/16	25/32	43/16	1.9370	0.7480							2.2			
209-28	13/4	54		190	54	146	17	21	20	106	49.2	19							2.2			
209																			2.2			
UCP 210-29	113/16	50												16	5/8	UC 210-29	P 210	2.9				
210-30	17/8		21/4	81/8	23/8	61/4	25/32	63/64	13/16	41/2	2.0315	0.7480							2.9			
210-31	115/16		57.2	206	60	159	20	25	21	114	51.6	19							2.9			
210																			2.9			
210-32	2													16	5/8	UC 211-31	P 211	3.6				
UCP 211-31	115/16	55																3.6				
211-32	2		21/2	85/8	23/8	623/32	25/32	63/64	29/32	431/32	2.1890	0.8740							3.6			
211-34	21/8		63.5	219	60	171	20	25	23	126	55.6	22.2							3.6			
211															3.6							
211-35	23/16													16	5/8	UC 212-36	P 212	4.9				
UCP 212-36	21/4	60																4.9				
212-37	25/16		23/4	91/2	23/4	71/4	25/32	63/64	63/64	57/16	2.5630	1.0000							4.9			
212			69.8	241	70	184	20	25	25	138	65.1	25.4							4.9			
212-38	23/8														4.9							
212-39	27/16													20	3/4	UC 213-40	P 213	5.9				
UCP 213-40	21/2	65																5.9				
213			3	1025/64	23/4	8	63/64	13/16	11/16	515/16	2.5630	1.0000							5.9			
213			76.2	264	70	203	25	30	27	151	65.1	25.4							5.9			
UCP 214-43	211/16		70												20	3/4	UC 214-43	P 214	6.8			
214-44	23/4	31/8		1015/32	227/32	89/32	63/64	13/16	11/16	63/16	2.9370	1.1890							6.8			
214														20	3/4	UC 215-46	P 215	6.8				
214		79.4	266	72	210	25	30	27	157	74.6	30.2							6.8				
UCP 215-46	27/8	75																20	3/4	UC 215-46	P 215	7.4
215-47	215/16		31/4	1013/16	229/32	817/32	63/64	13/16	13/32	613/32	3.0630	1.3110										
215			82.6	275	74	217	25	30	28	163	77.8	33.3			7.4							
215-48	3														7.4							
UCP 216		80	31/2	111/2	31/16	91/8	63/64	13/16	13/16	657/64	3.2520	1.3110			20	3/4	UC 216	P 216	9.0			
			88.9	292	78	232	25	30	30	175	82.6	33.3							9.0			
UCP 217-52	31/4	85	33/4	127/32	39/32	923/32	63/64	13/16	11/4	723/64	3.3740	1.3425			20	3/4	UC 217-52	P 217	10.8			
217			95.2	310	83	247	25	30	32	187	85.7	34.1							10.8			
UCP 218-56	31/2	90	4	127/8	315/32	105/16	11/16	113/32	15/16	77/8	3.7795	1.5630			20	3/4	UC 218-56	P 218	13.9			
218			101.6	327	88	262	27	36	33	200	96	39.7							13.9			

PILLOW BLOCK TYPE UNITS

UCPX

(Cylindrical bore)

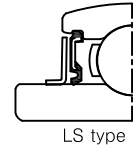
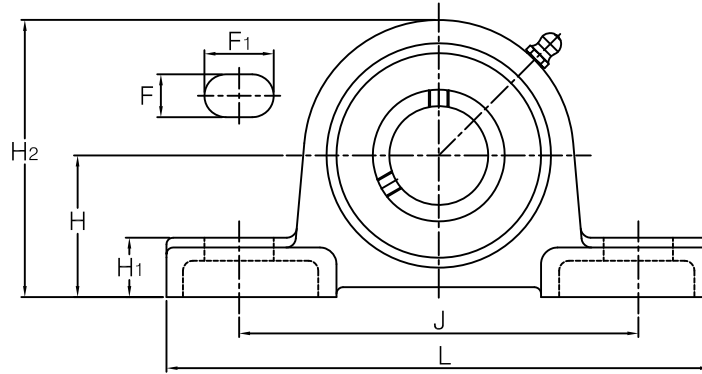
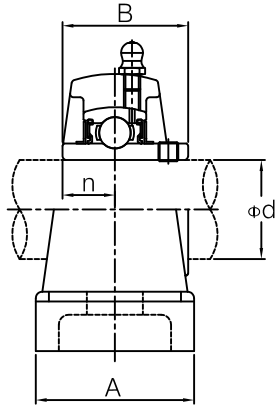


Unit No.	Shaft Dia.		Dimensions (in.) (mm)										Bolt used		Bearing No.	Housing No.	Weight (kgf)
	d		H	L	A	J	F	F ₁	H ₁	H ₂	B	n	(mm)	(in.)			
	(in.)	(mm)															
UCP X05-13 X05-14 X05-15 X05 X05-16	13/16 7/8 15/16 1	25	1 3/4 44.45	6 1/4 159	2 51	4 11/16 119	2 1/32 17	63/64 25	45/64 18	3 11/32 85	1.5000 38.1	0.6260 15.9	14	1/2	UC X05-13 X05-14 X05-15 X05 X05-16	P X05	1.5 1.5 1.5 1.5
UCP X06-17 X06-18 X06 X06-19 X06-20	1 1/16 1 1/8 1 3/16 1 1/4	30	1 7/8 47.6	6 7/8 175	2 1/4 57	5 127	2 1/32 17	63/64 25	25/32 20	3 45/64 94	1.6890 42.9	0.6890 17.5	14	1/2	UC X06-17 X06-18 X06 X06-19 X06-20	P X06	2.1 2.1 2.1 2.1 2.1
UCP X07-20 X07-21 X07-22 X07 X07-23	1 1/4 1 5/16 1 3/8 1 7/16	35	2 1/8 54	8 203	2 1/4 57	5 21/32 144	2 1/32 17	13/16 30	7/8 22	4 1/8 105	1.9370 49.2	0.7480 19	14	1/2	UC X07-20 X07-21 X07-22 X07 X07-23	P X07	2.7 2.7 2.7 2.7 2.7
UCP X08-24 X08-25 X08	1 1/2 1 9/16	40	2 5/16 58.7	8 3/4 222	2 5/8 67	6 5/32 156	25/32 20	1 1/4 32	1 1/32 26	4 7/16 113	1.9370 49.2	0.7480 19	16	5/8	UC X08-24 X08-25 X08	P X08	3.5 3.5 3.5
UCP X09-26 X09-27 X09-28 X09	1 5/8 1 11/16 1 3/4	45	2 5/16 58.7	8 3/4 222	2 5/8 67	6 5/32 156	25/32 20	1 5/16 33	1 1/32 26	4 9/16 116	2.0315 51.6	0.7480 19	16	5/8	UC X09-26 X09-27 X09-28 X09	P X09	3.7 3.7 3.7 3.7
UCP X10-30 X10-31 X10 X10-32	1 7/8 1 15/16 2	50	2 1/2 63.5	9 1/2 241	2 7/8 73	6 23/32 171	25/32 20	1 29/64 37	1 1/16 27	4 31/32 126	2.1890 55.6	0.8740 22.2	16	5/8	UC X10-30 X10-31 X10 X10-32	P X10	4.6 4.6 4.6 4.6
UCP X11-31 X11-32 X11-34 X11 X11-35	1 15/16 2 2 1/8 2 3/16	55	2 3/4 69.8	10 1/4 260	3 1/8 79	7 1/4 184	63/64 25	1 29/64 37	13/16 30	5 15/32 139	2.5630 65.1	1.0000 25.4	20	3/4	UC X11-31 X11-32 X11-34 X11 X11-35	P X11	6.5 6.5 6.5 6.5 6.5
UCP X12-36 X12-37 X12 X12-38 X12-39	2 1/4 2 5/16 2 3/8 2 7/16	60	3 76.2	11 1/4 286	3 9/32 83	8 203	63/64 25	1 5/8 41	1 1/4 32	5 15/16 151	2.5630 65.1	1.0000 25.4	20	3/4	UC X12-36 X12 X12-37 X12-38 X12-39	P X12	7.7 7.7 7.7 7.7 7.7
UCP X13-40 X13	2 1/2	65	3 76.2	11 1/4 286	3 9/32 83	8 203	63/64 25	1 5/8 41	1 1/4 32	5 15/16 151	2.9370 74.6	1.1890 30.2	20	3/4	UC X13-40 X13	P X13	8.1 8.1
UCP X14-43 X14-44 X14	2 11/16 2 3/4 70	70	3 1/2 88.9	13 330	3 1/2 89	9 1/32 229	1 1/16 27	2 51	13/8 35	6 25/32 172	3.0630 77.8	1.3110 33.3	22	7/8	UC X14-43 X14-44 X14	P X14	10.2 10.2 10.2
UCP X15-47 X15 X15-48	2 15/16 3	75	3 1/2 88.9	13 330	3 1/2 89	9 1/8 232	1 1/16 27	2 51	13/8 35	6 27/32 174	3.2520 82.6	1.3110 33.3	22	7/8	UC X15-47 X15 X15-48	P X15	10.8 10.8 10.8
UCP X16	80	80	4 101.6	15 381	4 1/32 102	11 5/32 283	1 1/16 27	25/16 59	1 21/32 42	7 3/4 197	3.3740 85.7	1.3425 34.1	22	7/8	UC X16	P X16	15.3
UCP X17-52 X17 X17-55	3 1/4 3 7/16	85	4 101.6	15 381	4 1/32 102	11 5/32 283	1 1/16 27	25/16 59	1 21/32 42	7 61/64 202	3.7795 96	1.5630 39.7	22	7/8	UC X17 X17-52 X17-55	P X17	16.1 16.1 16.1
UCP X18-56 X18	3 1/2	90	4 101.6	15 381	4 3/8 111	11 5/32 283	1 1/16 27	23/8 60	1 25/32 45	8 1/8 206	4.0945 104	1.6890 42.9	22	7/8	UC X18-56 X18	P X18	19.1 19.1
UCP X20 X20-63 X20-64	3 15/16 4	100	5 127	17 432	4 3/4 121	13 9/32 337	1 5/16 33	2 17/32 64	2 1/16 52	9 27/32 250	4.6260 117.5	1.9370 49.2	27	1	UC X20 X20-63 X20-64	P X20	30.4 30.4 30.4

PILLOW BLOCK TYPE UNITS

UCP3

(Cylindrical bore)

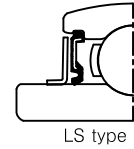
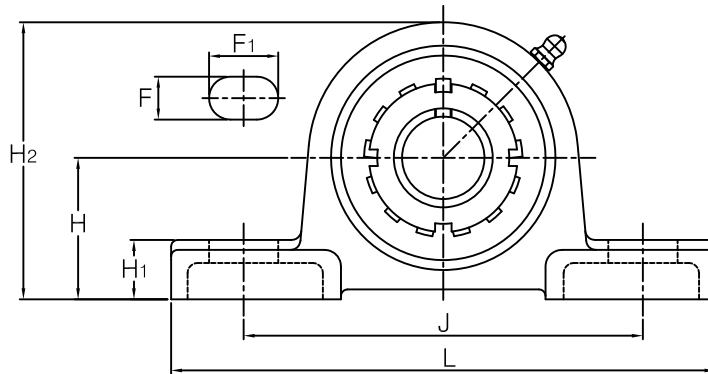
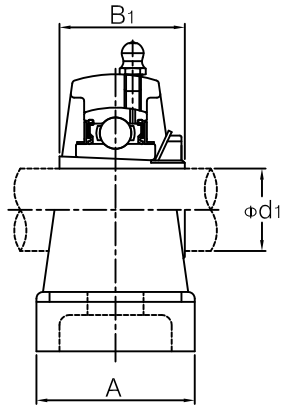


Unit No.	Shaft Dia.		Dimensions (in.) (mm)										Bolt used		Bearing No.	Housing No.	Weight (kgf)
	d		H	L	A	J	F	F ₁	H ₁	H ₂	B	n	(mm)	(in.)			
	(in.)	(mm)															
UCP 305 305-16	1	25	1.48/64 45	67/8 175	13/4 45	53/16 132	21/32 17	25/32 20	19/32 15	311/32 85	1.4961 38	0.5906 15	14	1/2	UC 305 305-16	P 305	1.7 1.7
UCP 306-18 306	1 1/8	30	1.31/32 50	73/32 180	1.31/32 50	5 1/2 140	21/32 17	25/32 20	45/64 18	33/4 95	1.6929 43	0.6693 17	14	1/2	UC 306-18 306	P 306	2.2 2.2
UCP 307-20 307-22 307 307-23	1 1/4 1 3/8 1 7/16	35	2.13/64 56	89/32 210	27/32 56	65/16 160	21/32 17	63/64 25	25/32 20	411/64 106	1.8897 48	0.7480 19	14	1/2	UC 307-20 307-22 307 307-23	P 307	3.0 3.0 3.0 3.0
UCP 308-24 308	1 1/2	40	2.23/64 60	821/32 220	23/8 60	611/16 170	21/32 17	11/16 27	7/8 22	49/16 116	2.0472 52	0.7480 19	14	1/2	UC 308-24 308	P 308	3.8 3.8
UCP 309-28 309	1 3/4	45	2.41/64 67	921/32 245	25/8 67	715/32 190	25/32 20	13/16 30	15/16 24	56/64 129	2.2441 57	0.8661 22	16	5/8	UC 309-28 309	P 309	4.9 4.9
UCP 310-31 310	1 15/16	50	2.61/64 75	1013/16 275	215/16 75	811/32 212	25/32 20	13/8 35	11/16 27	55/8 143	2.4015 61	0.8661 22	16	5/8	UC 310-31 310	P 310	6.6 6.6
UCP 311-32 311	2	55	35/32 80	127/32 310	35/32 80	99/32 236	25/32 20	11/2 38	13/16 30	61/16 154	2.5984 66	0.9842 25	16	5/8	UC 311-32 311	P 311	7.9 7.9
UCP 312		60	31/32 85	13 330	311/32 85	927/32 250	63/64 25	11/2 38	11/4 32	61/2 165	2.7953 71	1.0236 26	20	3/4	UC 312	P 312	9.5 9.5
UCP 313-40 313	2 1/2	65	335/64 90	133/8 340	317/32 90	101/4 260	63/64 25	11/2 38	15/16 33	615/16 176	2.9528 75	1.1811 30	20	3/4	UC 313-40 313	P 313	10.7 10.7
UCP 314-44 314	2 3/4	70	347/64 95	143/16 360	317/32 90	111/32 280	11/16 27	19/16 40	13/8 35	723/64 187	3.0709 78	1.2992 33	22	7/8	UC 314-44 314	P 314	12.4 12.4
UCP 315 315-48	3	75	315/16 100	1431/32 380	315/16 100	1113/32 290	11/16 27	19/16 40	13/8 35	725/32 198	3.2283 82	1.2598 32	22	7/8	UC 315 315-48	P 315	14.8 14.8
UCP 316		80	411/64 106	153/4 400	411/32 110	1113/16 300	11/16 27	19/16 40	13/16 40	89/32 210	3.3858 86	1.3386 34	22	7/8	UC 316	P 316	18.5 18.5
UCP 317		85	413/32 112	1617/32 420	411/32 110	1219/32 320	15/16 33	125/32 45	19/16 40	821/32 220	3.7795 96	1.5748 40	27	1	UC 317	P 317	20.3 20.3
UCP 318-56 318	3 1/2	90	441/64 118	1615/16 430	411/32 110	13 330	15/16 33	125/32 45	125/32 45	91/4 235	3.7795 96	1.5748 40	27	1	UC 318-56 318	P 318	22.8 22.8
UCP 319		95	459/64 125	181/2 470	423/32 120	143/16 360	113/32 36	131/32 50	125/32 45	927/32 250	4.0551 103	1.6142 41	30	1 1/8	UC 319	P 319	29.0 29.0
UCP 320 320-64	4	100	533/64 140	199/32 490	423/32 120	1431/32 380	113/32 36	131/32 50	131/32 50	1013/16 275	4.2519 108	1.6535 42	30	1 1/8	UC 320 320-64	P 320	35.1 35.1
UCP 321		105	539/64 140	199/32 490	423/32 120	1431/32 380	113/32 36	131/32 50	131/32 50	1131/64 280	4.4094 112	1.7323 44	30	1 1/8	UC 321	P 321	36.0 36.0
UCP 322		110	529/32 150	2015/32 520	51/2 140	153/4 400	19/16 40	25/32 55	25/32 55	1113/16 300	4.6063 117	1.8110 46	33	1 1/4	UC 322	P 322	44.0 44.0
UCP 324		120	619/64 160	227/16 570	51/2 140	1723/32 450	19/16 40	25/32 55	29/16 65	1219/32 320	4.9606 126	2.0079 51	33	1 1/4	UC 324	P 324	55.4 55.4
UCP 326 326-82	5 1/8	130	73/32 180	235/8 600	51/2 140	1829/32 480	19/16 40	25/32 55	261/64 75	1331/32 355	5.3150 135	2.1260 54	33	1 1/4	UC 326 326-82	P 326	72.1 72.1
UCP 328-88 328	5 1/2	140	77/8 200	2413/32 620	51/2 140	1911/16 500	19/16 40	25/32 55	261/64 75	1511/32 390	5.7086 145	2.3228 59	33	1 1/4	UC 328 328-88	P 328	92.5 92.5

PILLOW BLOCK TYPE UNITS

UKP2

(Tapered bore)

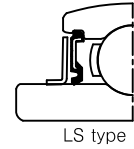
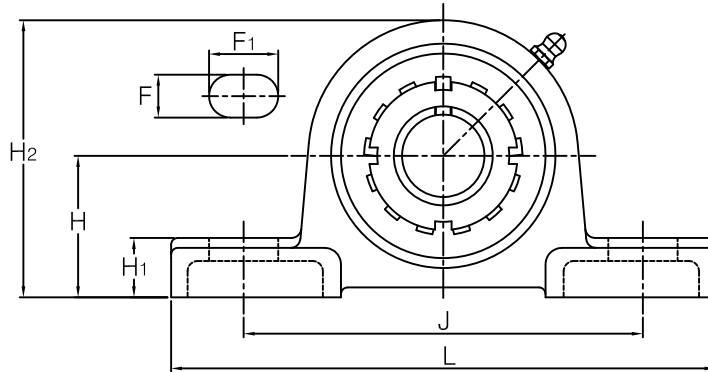
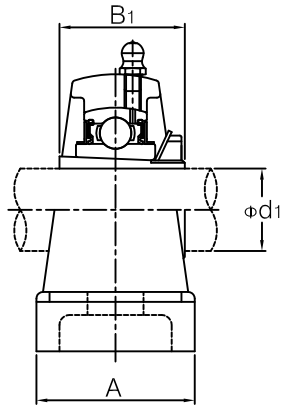


Unit No.	Shaft Dia.		Dimensions (in. / (mm))										Bolt used		Bearing No.	Housing No.	Adapter used	Weight (kgf)
	d1		H	L	A	J	F	F ₁	H ₁	H ₂	B ₁	(mm)	(in.)					
	(in.)	(mm)																
UKP 205 205	3/4	20	1 7/16 36.5	5 1/2 140	1 1/2 38	4 1/8 105	1/2 13	3/4 19	19/32 15	2 25/32 71	1 3/8 35	10	3/8	UK 205	P 205	HE2305 H 2305	0.84 0.84	
UKP 206 206 206 206	7/8 15/16 1	25	1 11/16 42.9	6 1/2 165	1 7/8 48	4 3/4 121	21/32 17	13/16 21	21/32 17	3 9/32 83	1 1/2 38	14	1/2	UK 206	P 206	HS2306 HA2306 H 2306 HE2306	1.4 1.4 1.4 1.4	
UKP 207 207 207	1 1/8 1 3/16	30	1 7/8 47.6	6 9/16 167	1 7/8 48	5 127	21/32 17	13/16 21	45/64 18	3 21/32 93	1 11/16 43	14	1/2	UK 207	P 207	HS2307 H 2307 HA2307	1.7 1.7 1.7	
UKP 208 208 208	1 1/4 1 3/8	35	1 15/16 49.2	7 1/4 184	2 1/8 54	5 13/32 137	21/32 17	13/16 21	45/64 18	3 27/32 98	1 13/16 46	14	1/2	UK 208	P 208	HE2308 HS2308 H 2308	2.0 2.0 2.0	
UKP 209 209 209 209	1 7/16 1 1/2 1 5/8	40	2 1/8 54	7 15/32 190	2 1/8 54	5 3/4 146	21/32 17	13/16 21	25/32 20	4 3/16 106	1 31/32 50	14	1/2	UK 209	P 209	HA2309 HE2309 H 2309 HS2309	2.3 2.3 2.3 2.3	
UKP 210 210 210	1 11/16 1 3/4	45	2 1/4 57.2	8 1/8 206	2 3/8 60	6 1/4 159	25/32 20	63/64 25	13/16 21	4 1/2 114	2 5/32 55	16	5/8	UK 210	P 210	HA2310 HE2310 H 2310	3.0 3.0 3.0	
UKP 211 211 211 211	1 7/8 1 15/16 2	50	2 1/2 63.5	8 5/8 219	2 3/8 60	6 23/32 171	25/32 20	63/64 25	29/32 23	4 31/32 126	2 5/16 59	16	5/8	UK 211	P 211	HS2311 HA2311 H 2311 HE2311	3.7 3.7 3.7 3.7	
UKP 212 212	2 1/8	55	2 3/4 69.8	9 1/2 241	2 3/4 70	7 1/4 184	25/32 20	63/64 25	63/64 25	5 7/16 138	2 7/16 62	16	5/8	UK 212	P 212	HS2312 H 2312	4.8 4.8	
UKP 213 213 213 213	2 3/16 2 1/4 2 3/8	60	3 76.2	10 25/64 264	2 3/4 70	8 203	63/64 25	1 3/16 30	1 1/16 27	5 15/16 151	2 9/16 65	20	3/4	UK 213	P 213	HA2313 HE2313 H 2313 HS2313	5.8 5.8 5.8 5.8	
UKP 215 215 215	2 7/16 2 1/2	65	3 1/4 82.6	10 13/16 275	2 29/32 74	8 17/32 217	63/64 25	1 3/16 30	1 3/32 28	6 13/32 163	2 7/8 73	20	3/4	UK 215	P 215	HA2315 HE2315 H 2315	7.7 7.7 7.7	
UKP 216 216 216	2 11/16 2 3/4	70	3 1/2 88.9	11 1/2 292	3 1/16 78	9 1/8 232	63/64 25	1 3/16 30	1 3/16 30	6 7/8 175	3 1/16 78	20	3/4	UK 216	P 216	HA2316 HE2316 H 2316	9.2 9.2 9.2	
UKP 217 217 217	2 15/16 3	75	3 3/4 95.2	12 7/32 310	3 9/32 83	9 23/32 247	63/64 25	1 3/16 30	1 1/4 32	7 23/64 187	3 7/32 82	20	3/4	UK 217	P 217	HA2317 H 2317 HE2317	11.0 11.0 11.0	
UKP 218		80	4 101.6	12 7/8 327	3 15/32 88	10 5/16 262	1 1/16 27	1 13/32 36	1 5/16 33	7 7/8 200	3 3/8 86	22	7/8	UK 218	P 218	H 2318	13.8	

PILLOW BLOCK TYPE UNITS

UKPX

(Tapered bore)

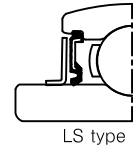
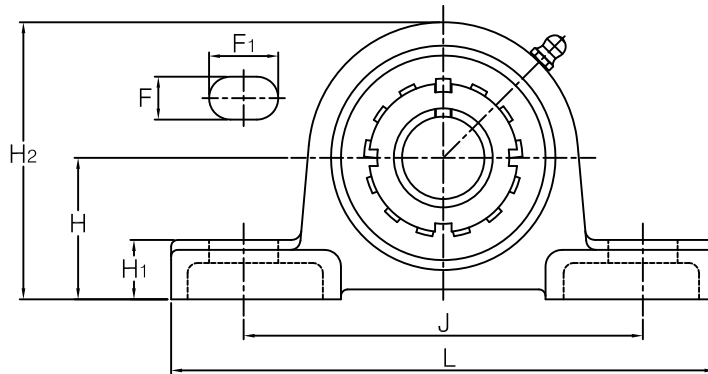
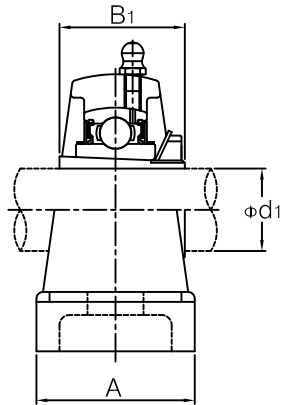


Unit No.	Shaft Dia.		Dimensions (in.)										Bolt used		Bearing No.	Housing No.	Adapter used	Weight (kgf)
	d1		H	L	A	J	F	F1	H1	H2	B1	(mm)	(in.)					
	(in.)	(mm)																
UKP X05 X05	3/4	20	1 3/4 44.45	6 1/4 159	2 51	4 11/16 119	2 1/32 17	6 3/64 25	4 5/8 18	3 11/32 85	1 3/8 35	14	1/2	UK X05	P X05	HE2305 H 2305	1.5 1.5	
UKP X06 X06 X06 X06	7/8 1 5/16 1	25	1 7/8 47.6	6 7/8 175	2 1/4 57	5 127	2 1/32 17	6 3/64 25	2 5/32 20	3 45/64 94	1 1/2 38	14	1/2	UK X06	P X06	HS2306 HA2306 H 2306 HE2306	2.1 2.1 2.1 2.1	
UKP X07 X07 X07	1 1/8 1 3/16	30	2 1/8 54	8 203	2 1/4 57	5 21/32 144	2 1/32 17	1 3/16 30	7/8 22	4 1/8 105	1 11/16 43	14	1/2	UK X07	P X07	HS2307 H 2307 HA2307	2.7 2.7 2.7	
UKP X08 X08 X08	1 1/4 1 3/8	35	2 5/16 58.7	8 3/4 222	2 5/8 67	6 5/32 156	2 5/32 20	1 1/4 32	1 1/32 26	4 7/16 113	1 13/16 46	16	5/8	UK X08	P X08	HE2308 HS2308 H 2308	3.5 3.5 3.5	
UKP X09 X09 X09 X09	1 7/16 1 1/2 1 5/8	40	2 5/16 58.7	8 3/4 222	2 5/8 67	6 5/32 156	2 5/32 20	1 5/16 33	1 1/32 26	4 9/16 116	1 31/32 50	16	5/8	UK X09	P X09	HA2309 HE2309 H 2309 HS2309	3.7 3.7 3.7 3.7	
UKP X10 X10 X10	1 11/16 1 3/4	45	2 1/2 63.5	9 1/2 241	2 7/8 73	6 23/32 171	2 5/32 20	1 29/64 37	1 1/16 27	4 31/32 126	2 5/32 55	16	5/8	UK X10	P X10	HA2310 HE2310 H 2310	4.6 4.6 4.6	
UKP X11 X11 X11 X11	1 7/8 1 15/16 2	50	2 3/4 69.8	10 1/4 260	3 1/8 79	7 1/4 184	6 3/64 25	1 29/64 37	1 3/16 30	5 15/32 139	2 5/16 59	20	3/4	UK X11	P X11	HS2311 HA2311 H 2311 HE2311	6.2 6.2 6.2 6.2	
UKP X12 X12	2 1/8	55	3 76.2	11 1/4 286	3 9/32 83	8 203	6 3/64 25	1 5/8 41	1 1/4 32	5 15/16 151	2 7/16 62	20	3/4	UK X12	P X12	HS2312 H 2312	7.5 7.5	
UKP X13 X13 X13 X13	2 3/16 2 1/4 2 3/8	60	3 76.2	11 1/4 286	3 9/32 83	8 203	6 3/64 25	1 5/8 41	1 1/4 32	6 15/16 151	2 9/16 65	20	3/4	UK X13	P X13	HA2313 HE2313 H 2313 HS2313	7.8 7.8 7.8 7.8	
UKP X15 X15 X15	2 1/2 2 5/8	65	3 1/2 88.9	13 330	3 1/2 89	9 1/8 232	1 1/16 27	2 51	1 3/8 35	6 27/32 174	2 7/8 73	22	7/8	UK X15	P X15	HE2315 H 2315 HS2315	10.5 10.5 10.5	
UKP X16 X16	2 3/4	70	4 101.6	15 381	4 1/32 102	11 5/32 283	1 1/16 27	2 5/16 59	1 21/32 42	7 3/4 197	3 1/16 78	22	7/8	UK X16	P X16	HE2316 H 2316	15.4 15.4	
UKP X17 X17 X17 X17	2 7/8 2 15/16 3	75	4 101.6	15 381	4 1/32 102	11 5/32 283	1 1/16 27	2 5/16 59	1 21/32 42	7 61/64 202	3 7/32 82	22	7/8	UK X17	P X17	HS2317 HA2317 H 2317 HE2317	15.8 15.8 15.8 15.8	
UKP X18		80	4 101.6	15 381	4 3/8 111	11 5/32 283	1 1/16 27	2 3/8 60	1 25/32 45	8 1/8 206	3 3/8 86	22	7/8	UK X18	P X18	H 2318	18.6	
UKP X20 X20	3 1/2	90	5 127	17 432	4 3/4 121	13 9/32 337	1 5/16 33	2 17/32 64	2 1/16 52	9 27/32 250	3 13/16 97	27	1	UK X20	P X20	HE2320 H 2320	29.3 29.3	

PILLOW BLOCK TYPE UNITS

UKP3

(Tapered bore)



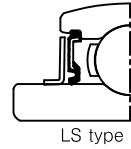
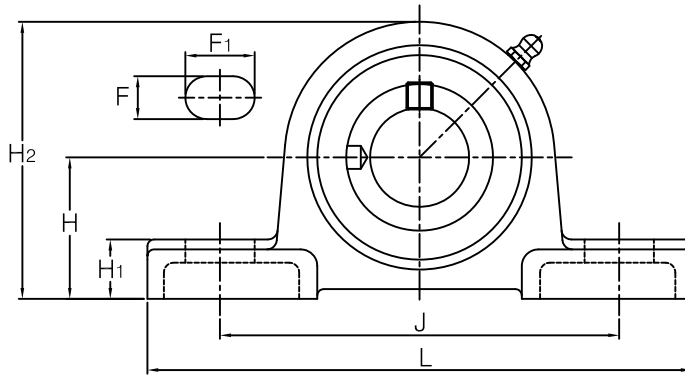
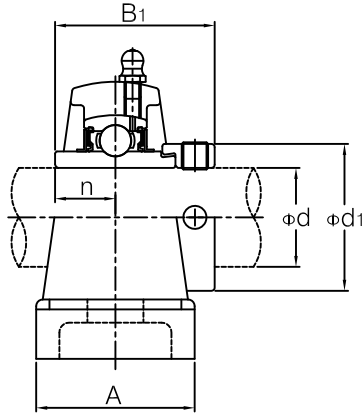
Unit No.	Shaft Dia.		Dimensions (in. / mm)										Bolt used		Bearing No.	Housing No.	Adapter used	Weight (kgf)
	d1		H	L	A	J	F	F1	H1	H2	B1	(mm)	(in.)					
	(in.)	(mm)																
UKP 305 305	3/4	20	1 ⁴⁹ / ₆₄ 45	6 ⁷ / ₈ 175	1 ³ / ₄ 45	5 ³ / ₁₆ 132	2 ¹ / ₃₂ 17	2 ⁵ / ₃₂ 20	1 ⁹ / ₃₂ 15	3 ¹¹ / ₃₂ 85	1 ³ / ₈ 35	14	1/2	UK 305	P 305	HE2305 H 2305	1.7 1.7	
UKP 306 306 306 306	7/8 15/16 1	25	1 ³¹ / ₃₂ 50	7 ³ / ₃₂ 180	1 ³¹ / ₃₂ 50	5 ¹ / ₂ 140	2 ¹ / ₃₂ 17	2 ⁵ / ₃₂ 20	4 ⁵ / ₆₄ 18	3 ³ / ₄ 95	1 ¹ / ₂ 38	14	1/2	UK 306	P 306	HS2306 HA2306 H 2306 HE2306	2.3 2.3 2.3 2.3	
UKP 307 307 307	1 ¹ / ₈ 13/16	30	2 ¹³ / ₆₄ 56	8 ⁹ / ₃₂ 210	2 ⁷ / ₃₂ 56	6 ⁵ / ₁₆ 160	2 ¹ / ₃₂ 17	6 ³ / ₆₄ 25	2 ⁵ / ₃₂ 20	4 ¹¹ / ₆₄ 106	1 ¹¹ / ₁₆ 43	14	1/2	UK 307	P 307	HS2307 H 2307 HA2307	3.0 3.0 3.0	
UKP 308 308 308	1 ¹ / ₄ 13/8	35	2 ²³ / ₆₄ 60	8 ²¹ / ₃₂ 220	2 ³ / ₈ 60	6 ¹¹ / ₁₆ 170	2 ¹ / ₃₂ 17	1 ¹ / ₁₆ 27	7/8 22	4 ⁹ / ₁₆ 116	1 ¹³ / ₁₆ 46	14	1/2	UK 308	P 308	HE2308 HS2308 H 2308	3.8 3.8 3.8	
UKP 309 309 309 309	1 ⁷ / ₁₆ 1 ¹ / ₂ 1 ⁵ / ₈	40	2 ⁴¹ / ₆₄ 67	9 ²¹ / ₃₂ 245	2 ⁵ / ₈ 67	7 ¹⁵ / ₃₂ 190	2 ⁵ / ₃₂ 20	1 ³ / ₁₆ 30	1 ⁵ / ₁₆ 24	5 ⁵ / ₆₄ 129	1 ³¹ / ₃₂ 50	16	5/8	UK 309	P 309	HA2309 HS2309 H 2309 HS2309	5.0 5.0 5.0 5.0	
UKP 310 310 310	1 ¹¹ / ₁₆ 1 ³ / ₄	45	2 ⁶¹ / ₆₄ 75	10 ¹³ / ₁₆ 275	2 ¹⁵ / ₁₆ 75	8 ¹¹ / ₃₂ 212	2 ⁵ / ₃₂ 20	1 ³ / ₈ 35	1 ¹ / ₁₆ 27	5 ⁵ / ₈ 143	2 ⁵ / ₃₂ 55	16	5/8	UK 310	P 310	HA2310 HE2310 H 2310	6.7 6.7 6.7	
UKP 311 311 311 311	1 ⁷ / ₈ 1 ¹⁵ / ₁₆	50	3 ⁵ / ₃₂ 80	12 ⁷ / ₃₂ 310	3 ⁵ / ₃₂ 80	9 ⁹ / ₃₂ 236	2 ⁵ / ₃₂ 20	1 ¹ / ₂ 38	1 ³ / ₁₆ 30	6 ¹ / ₁₆ 154	2 ⁵ / ₁₆ 59	16	5/8	UK 311	P 311	HS2311 HA2311 H 2311 HE2311	8.1 8.1 8.1 8.1	
UKP 312 312	2 ¹ / ₈	55	3 ¹¹ / ₃₂ 85	13 330	3 ¹¹ / ₃₂ 85	9 ²⁷ / ₃₂ 250	6 ³ / ₆₄ 25	1 ¹ / ₂ 38	1 ¹ / ₄ 32	6 ¹ / ₂ 165	2 ⁷ / ₁₆ 62	20	3/4	UK 312	P 312	HS2312 H 2312	9.4 9.4	
UKP 313 313 313 313	2 ³ / ₁₆ 2 ¹ / ₄ 2 ³ / ₈	60	3 ³⁵ / ₆₄ 90	13 ³ / ₈ 340	3 ¹⁷ / ₃₂ 90	10 ¹ / ₄ 260	6 ³ / ₆₄ 25	1 ¹ / ₂ 38	1 ⁵ / ₁₆ 33	6 ¹⁵ / ₁₆ 176	2 ⁹ / ₁₆ 65	20	3/4	UK 313	P 313	HA2313 HE2313 H 2313 HS2313	10.8 10.8 10.8 10.8	
UKP 315 315	2 ¹ / ₂	65	3 ¹⁵ / ₁₆ 100	14 ³¹ / ₃₂ 380	3 ¹⁵ / ₁₆ 100	11 ¹³ / ₃₂ 290	1 ¹ / ₁₆ 27	1 ⁹ / ₁₆ 40	1 ³ / ₈ 35	7 ²⁵ / ₃₂ 198	2 ⁷ / ₈ 73	22	7/8	UK 315	P 315	HE2315 H 2315	14.9 14.9	
UKP 316 316	2 ³ / ₄	70	4 ¹¹ / ₆₄ 106	15 ³ / ₄ 400	4 ¹¹ / ₃₂ 110	11 ¹³ / ₁₆ 300	1 ¹ / ₁₆ 27	1 ⁹ / ₁₆ 40	1 ⁹ / ₁₆ 40	8 ⁹ / ₃₂ 210	3 ¹ / ₁₆ 78	22	7/8	UK 316	P 316	HE2316 H 2316	18.6 18.6	
UKP 317 317		75	4 ¹³ / ₃₂ 112	16 ¹⁷ / ₃₂ 420	4 ¹¹ / ₃₂ 110	12 ¹⁹ / ₃₂ 320	1 ⁵ / ₁₆ 33	1 ²⁵ / ₃₂ 45	1 ⁹ / ₁₆ 40	8 ²¹ / ₃₂ 220	3 ⁷ / ₃₂ 82	27	1	UK 317	P 317	H 2317 HE2317	20.2 20.2	
UKP 318		80	4 ⁴¹ / ₆₄ 118	16 ¹⁵ / ₁₆ 430	4 ¹¹ / ₃₂ 110	13 330	1 ⁵ / ₁₆ 33	1 ²⁵ / ₃₂ 45	1 ²⁵ / ₃₂ 45	9 ¹ / ₄ 235	3 ³ / ₈ 86	27	1	UK 318	P 318	H 2318	22.8	
UKP 319 319	3 ¹ / ₄	85	4 ⁵⁹ / ₆₄ 125	18 ¹ / ₂ 470	4 ²³ / ₃₂ 120	14 ³ / ₁₆ 360	1 ¹³ / ₃₂ 36	1 ³¹ / ₃₂ 50	1 ²⁵ / ₃₂ 45	9 ²⁷ / ₃₂ 250	3 ¹⁷ / ₃₂ 90	30	1 ¹ / ₈	UK 319	P 319	HE2319 H 2319	29.3 29.3	
UKP 320 320	3 ¹ / ₂	90	5 ³³ / ₆₄ 140	19 ⁹ / ₃₂ 490	4 ²³ / ₃₂ 120	14 ³¹ / ₃₂ 380	1 ¹³ / ₃₂ 36	1 ³¹ / ₃₂ 50	2 ¹ / ₃₂ 50	10 ¹³ / ₁₆ 275	3 ¹³ / ₁₆ 97	30	1 ¹ / ₈	UK 320	P 320	HE2320 H 2320	34.8 34.8	
UKP 322 322		100	5 ²⁹ / ₃₂ 150	20 ¹⁵ / ₃₂ 520	5 ¹ / ₂ 140	15 ³ / ₄ 400	1 ⁹ / ₁₆ 40	2 ⁵ / ₃₂ 55	2 ⁵ / ₃₂ 55	11 ¹³ / ₁₆ 300	4 ¹ / ₈ 105	33	1 ¹ / ₄	UK 322	P 322	H 2322 HE2322	43.9 43.9	
UKP 324 324	4 ⁷ / ₁₆	110	6 ²³ / ₆₄ 160	22 ⁷ / ₁₆ 570	5 ¹ / ₂ 140	17 ²³ / ₃₂ 450	1 ⁹ / ₁₆ 40	2 ⁵ / ₃₂ 55	2 ⁹ / ₁₆ 65	12 ¹⁹ / ₃₂ 320	4 ¹³ / ₃₂ 112	33	1 ¹ / ₄	UK 324	P 324	H 2324 HA2324	55.7 55.7	
UKP 326 326	4 ¹ / ₂	115	7 ³ / ₃₂ 180	23 ⁵ / ₈ 600	5 ¹ / ₂ 140	18 ²⁹ / ₃₂ 480	1 ⁹ / ₁₆ 40	2 ⁵ / ₃₂ 55	2 ⁶¹ / ₆₄ 75	13 ³¹ / ₃₂ 355	4 ³ / ₄ 121	33	1 ¹ / ₄	UK 326	P 326	HE2326 H 2326	71.9 71.9	
UKP 328 328		125	7 ⁷ / ₈ 200	24 ⁹ / ₂₂ 620	5 ¹ / ₂ 140	19 ¹¹ / ₁₆ 500	1 ⁹ / ₁₆ 40	2 ⁵ / ₃₂ 55	2 ⁶¹ / ₆₄ 75	15 ¹¹ / ₃₂ 390	5 ⁵ / ₃₂ 131	33	1 ¹ / ₄	UK 328	P 328	H 2328 HA2328	92.5 92.5	

PILLOW BLOCK TYPE UNITS

HCP2

(Cylindrical bore)

(With eccentric locking collar)

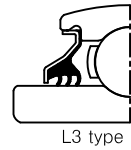
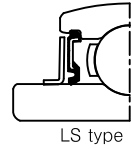
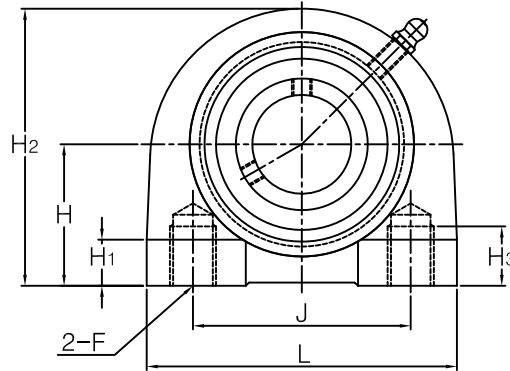
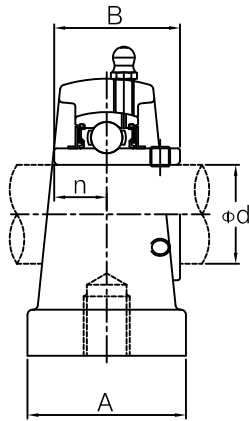


Unit No.	Shaft Dia		Dimensions (in./mm)											Bolt used		Bearing No.	Housing No.	Weight (kgf)				
	d (in.)	d (mm)	H	L	A	J	F	F ₁	H ₁	H ₂	B ₁	n	d _i	(mm)	(in.)							
HCP 201	1/2	12																			0.79	
201-8		15																			0.79	
202		17	15/16	5	1 1/2	3 3/4	1/2	3/4	35/64	29/16	1.7204	0.6732	1.3110	10	3/8						0.77	
202-10		5/8	33.3	127	38	95	13	19	14	65	43.7	17.1	33.3								0.77	
203		11/16																				0.75
203-11	3/4	20																			0.75	
204-12																					0.73	
204																					0.73	
HCP 205-13	13/16	25	17/16	5 1/2	1 1/2	4 1/8	1/2	3/4	19/32	2 25/32	1.7480	0.6890	1.5000	10	3/8						0.87	
205-14		36.5	140	38	105	13	19	15	71	44.4	17.5	38.1									0.87	
205-15		15/16																				0.87
205		1																				0.87
205-16																						0.87
HCP 206-17	1 1/16	30	1 11/16	6 1/2	1 7/8	4 3/4	2 1/32	13/16	2 1/32	3 9/32	1.9055	0.7204	1.7520	14	1/2						1.4	
206-18		42.9	165	48	121	17	21	17	83	48.4	18.3	44.5									1.4	
206		13/16																				1.4
206-19		1 1/4																				1.4
206-20																						1.4
HCP 207-20	1 1/4	35	1 7/8	6 9/16	1 7/8	5	2 1/32	13/16	45/64	3 21/32	2.0118	0.7402	2.1890	14	1/2						1.8	
207-21		47.6	167	48	127	17	21	18	93	51.1	18.8	55.6									1.8	
207-22		13/8																				1.8
207		1 7/16																				1.8
207-23																						1.8
HCP 208-24	1 1/2	40	1 15/16	7 1/4	2 1/8	5 13/32	2 1/32	13/16	45/64	3 27/32	2.2165	0.8425	2.3740	14	1/2						2.1	
208-25		49.2	184	54	137	17	21	18	98	56.3	21.4	60.3									2.1	
208		1 9/16																				2.1
HCP 209-26	1 5/8	45	2 1/8	7 15/32	2 1/8	5 3/4	2 1/32	13/16	25/32	4 3/16	2.2165	0.8425	2.5000	14	1/2						2.4	
209-27		54	190	54	146	17	21	20	106	56.3	21.4	63.5									2.4	
209-28		13/4																				2.4
209																						2.4
209-29																						2.4
HCP 210-29	1 13/16	50	2 1/4	8 1/8	2 3/8	6 1/4	25/32	63/64	13/16	4 1/2	2.4685	0.9685	2.7520	16	5/8						3.1	
210-30		57.2	206	60	159	20	25	21	114	62.7	24.6	69.9									3.1	
210-31		15/16																				3.1
210		2																				3.1
210-32																						3.1
HCP 211-31	1 15/16	55	2 1/2	8 5/8	2 3/8	6 23/32	25/32	63/64	29/32	4 31/32	2.8110	1.0945	3.0000	16	5/8						3.9	
211-32		63.5	219	60	171	20	25	23	126	71.4	27.8	76.2									3.9	
211-34		2 1/8																				3.9
211		23/16																				3.9
211-35																						3.9
HCP 212-36	2 1/4	60	2 3/4	9 1/2	2 3/4	7 1/4	25/32	63/64	63/64	5 7/16	3.0630	1.2204	3.3150	16	5/8						5.2	
212-37		69.8	241	70	184	20	25	25	138	77.8	31	84.2									5.2	
212		25/16																				5.2
212-38		23/8																				5.2
212-39		27/16																				5.2

PILLOW BLOCK A TYPE UNITS

UCPA2

(Cylindrical bore)

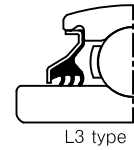
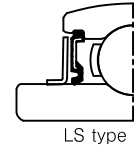
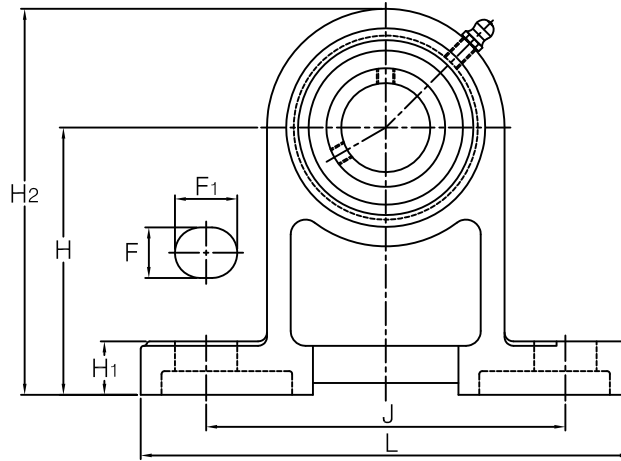
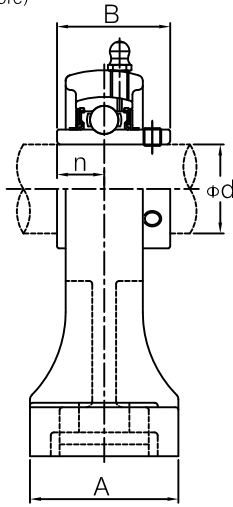


Unit No.	Shaft Dia.		Dimensions (in./mm)										Bolt used (mm)	Bearing No.	Housing No.	Weight (kgf)	
	d		H	L	A	J	F	H ₁	H ₂	H ₃	B	n					
	(in.)	(mm)															
UCPA 201		12												10	UC 201	PA 204	0.64
201-8	1/2	15															
202																	
202-10	5/8	17	13/16	3	1 1/2	23/64	M10x1.5	7/16	27/16	1/2	1.2205	0.5000					
203	11/16		30.2	76	38	52		11	62	13	31	12.7					
203-11													10	UC 205-13	PA 205	0.61	
204-12	3/4	20															
204																	
205	13/16																
UCPA 205-13	7/8												10	UC 205-14	PA 205	0.61	
205-14	15/16	25	17/16	35/32	1 1/2	213/64	M10x1.5	15/32	227/32	19/32	1.3425	0.5630					
205-15			36.5	80	38	56		12	72	15	34.1	14.3					
205	1																
205-16																	
UCPA 206-17	1 1/16												14	UC 206-17	PA 206	1.2	
206-18	1 1/8	30	1 11/16	3 11/16	1 7/8	2 19/32	M14x2.0	15/32	3 5/16	23/32	1.5000	0.6260					
206			42.9	94	48	66		12	84	18	38.1	15.9					
206-19	1 3/16																
206-20	1 1/4																
UCPA 207-20	1 1/4												14	UC 207-20	PA 207	1.7	
207-21	1 5/16	35	1 7/8	4 11/32	1 7/8	3 5/32	M14x2.0	15/32	3 3/4	25/32	1.6890	0.6890					
207-22	1 3/8		47.6	110	48	80		12	95	20	42.9	17.5					
207																	
207-23	1 7/16																
UCPA 208-24	1 1/2												14	UC 208-24	PA 208	2.0	
208-25	1 9/16	40	1 15/16	4 9/16	2 1/8	3 5/16	M14x2.0	15/32	3 15/16	25/32	1.9370	0.7480					
208			49.2	116	54	84		12	100	20	49.2	19					
UCPA 209-26	1 5/8												14	UC 209-26	PA 209	2.2	
209-27	1 11/16	45	2 9/64	4 23/32	2 1/8	3 35/64	M14x2.0	15/32	4 1/4	63/64	1.9370	0.7480					
209-28	1 3/4		54.2	120	54	90		12	108	25	49.2	19					
209																	
UCPA 210-29	1 13/16												16	UC 210-29	PA 210	2.8	
210-30	1 7/8	50	2 1/4	5 1/8	2 3/8	3 45/64	M16x2.0	35/64	4 9/16	63/64	2.0315	0.7480					
210-31	1 15/16		57.2	130	60	94		14	116	25	51.6	19					
210																	
210-32	2																
UCPA 211-31	1 15/16												16	UC 211-31	PA 211	3.4	
211-32	2	55	2 1/2	5 1/2	2 19/32	4 3/32	M16x2.0	35/64	4 29/32	63/64	2.0315	0.7480					
211-34	2 1/8		63.5	140	66	104		14	125	25	55.6	22.2					
211																	
211-35	2 3/16																
UCPA 212-36	2 1/4												16	UC 212-36	PA 212	4.4	
212-37	2 5/16	60	2 3/4	5 29/32	2 11/16	4 1/2	M16x2.0	19/32	5 7/16	63/64	2.5630	1.0000					
212			69.9	150	68	114		15	138	25	65.1	25.4					
212-38	2 3/8																
212-39	2 7/16																
UCPA 213-40	2 1/2												16	UC 213-40	PA 213	5.4	
213		65	3	6 19/64	2 3/4	4 7/8	M16x2.0	19/32	5 29/32	63/64	2.5630	1.0000					

PILLOW BLOCK H TYPE UNITS

UCPH2

(Cylindrical bore)



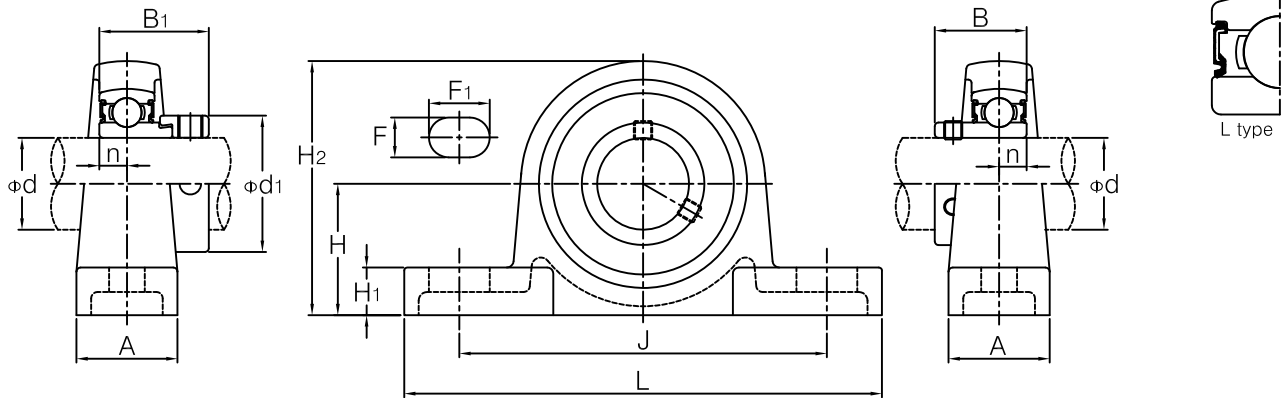
Unit No.	Shaft Dia.		Dimensions (in. (mm))										Bolt used		Bearing No.	Housing No.	Weight (kgf)			
	d (in.)	d (mm)	H	L	A	J	F	F ₁	H ₁	H ₂	B	n	(mm)	(In.)						
UCPH 201 201-8 202 202-10 203	1/2	12	2 3/4 70	5 127	1 9/16 40	3 3/4 95	1/2 13	3/4 19	1 9/32 15	3 31/32 101	1.2205 31	0.5000 12.7	10	3/8	UC 201 201-8 202 202-10 203 203-11 204-12 204	PH 204	0.96 0.96 0.94 0.94 0.93 0.93 0.91 0.91			
		15																		
	5/8	17	3 5/32 80	5 1/2 140	1 31/32 50	4 1/8 105	1/2 13	3/4 19	5/8 16	4 1/2 114	1.3425 34.1	0.5630 14.3	10	3/8				UC 205-13 205-14 205-15 205 205-16	PH 205	1.2 1.2 1.2 1.2 1.2
	UCPH 205-13 205-14 205-15 205 205-16	1 1/16	30	3 35/64 90	6 1/2 165	1 31/32 50	4 3/4 121	2 1/32 17	13/16 21	23/32 18	5 1/8 130	1.5000 38.1	0.6260 15.9	14				1/2	UC 206-17 206-18 206 206-19 206-20	PH 206
1 1/8																				
1 3/16		35	3 47/64 95	6 9/16 167	2 3/8 60	5 127	2 1/32 17	13/16 21	3/4 19	5 1/2 140	1.6890 42.9	0.6890 17.5	14	1/2	UC 207-20 207-21 207-22 207 207-23	PH 207	2.0 2.0 2.0 2.0 2.0			
																		1 1/4		
UCPH 207-20 207-21 207-22 207 207-23		1 1/2	40	3 15/16 100	7 1/4 184	2 3/4 70	5 13/32 137	2 1/32 17	63/64 25	3/4 19	5 29/32 150	1.9370 49.2	0.7480 19	14	1/2	UC 208-24 208-25 208	PH 208	2.7 2.7 2.7		
	1 9/16																			
	1 5/8																			
UCPH 208-24 208-25 208	1 11/16	45	4 9/64 105	7 15/32 190	2 3/4 70	5 3/4 146	2 1/32 17	63/64 25	25/32 20	6 7/32 158	1.9370 49.2	0.7480 19	14	1/2	UC 209-26 209-27 209-28 209	PH 209	3.0 3.0 3.0 3.0			
																		1 1/8		
	1 13/16	50	4 21/64 110	8 1/8 206	2 3/4 70	6 1/4 159	25/32 20	63/64 25	7/8 22	6 1/2 165	2.0315 51.6	0.7480 19	16	5/8				UC 210-29 210-30 210-31 210 210-32	PH 210	3.5 3.5 3.5 3.5 3.5
UCPH 209-26 209-27 209-28 209	1 15/16																			
	2																			

PILLOW BLOCK L TYPE UNITS

SALP2 SBLP2

(Cylindrical bore)

SALP2(With eccentric locking collar), SBLP2(Set screw locking)

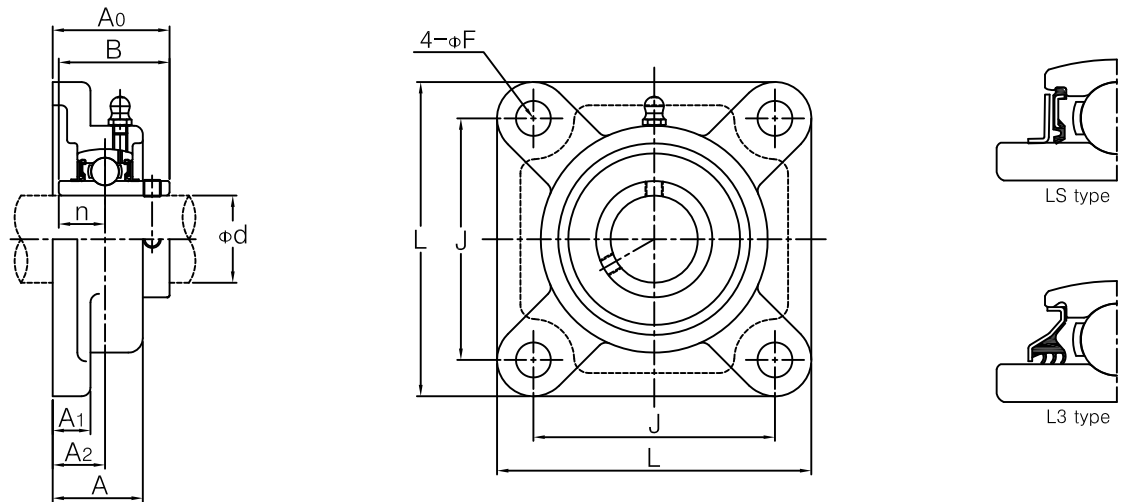


Unit No.	Shaft Dia.		Dimensions (in./mm)										Bolt used		S A L P				S B L P				Housing No.
	d (in.)	d (mm)	H	L	A	J	F	F ₁	H ₁	H ₂	n	(mm)	(in.)	B ₁	d ₁	Bearing No.	Weight (kgf)	B	Bearing No.	Weight (kgf)			
SALP SBLP 201		12														SA 201	0.39		SB 201	0.36	LP 203		
201-8	1/2				1	37/16	7/16	5/8	15/32	2 1/4	0.2560	10	3/8	1.1260	1.1260	201-8	0.39	0.8858	201-8	0.36			
202		15	1 3/16	4 31/64	25.4	87	11	16	12	57	6.5					202	0.39		202	0.36			
202-10	5/8		30.2	114												202-10	0.39		202-10	0.36			
203		17														203	0.39		203	0.36			
203-11	11/16															203-11	0.39		203-11	0.36			
SALP SBLP 204-12			1 5/16	4 59/64	1 1/16	3 13/16	7/16	5/8	1/2	2 3/16	0.2953	10	3/8	1.2204	1.3110	SA 204-12	0.51	1.0039	SB 204-12	0.51	LP 204		
204	3/4	20	33.3	125	27	97	11	16	12.7	65	7.5			31	33.3	204	0.51	25.5	204	0.51			
SALP SBLP 205-13			1 7/16	5 1/8	1 9/64	3 15/16	7/16	5/8	1/2	2 3/4	0.2953	10	3/8	1.2204	1.5000	SA 205-13	0.61	1.0630	SB 205-13	0.57	LP 205		
205-14	7/8															205-14	0.61		205-14	0.57			
205-15	15/16		17/16	130	29	100	11	16	12.7	70	7.5			31	38.1	205-15	0.61	27	205-15	0.57			
205		25	36.5													205	0.61		205	0.57			
205-16	1															205-16	0.61		205-16	0.57			
SALP SBLP 206-17	1 1/16		1 11/16	6 9/64	1 19/64	4 47/64	35/64	13/16	19/32	3 9/32	0.3543	14	1/2	1.4055	1.7520	SA 206-17	0.72	1.1811	SB 206-17	0.69	LP 206		
206-18	1 1/8															206-18	0.72		206-18	0.69			
206		30	42.9	156	33	120	14	21	15	83	9			35.7	44.5	206	0.72	30	206	0.69			
206-19	1 3/16															206-19	0.72		206-19	0.69			
206-20	1 1/4															206-20	0.72		206-20	0.69			
SALP SBLP 207-20	1 1/4		1 7/8	6 1/2	1 3/8	5	35/64	13/16	5/8	3 5/8	0.3740	14	1/2	1.5315	2.1890	SA 207-20	1.02	1.3780	SB 207-20	0.94	LP 207		
207-21	1 5/16															207-21	1.02		207-21	0.94			
207-22	1 3/8		47.6	165	35	127	14	21	16	92	9.5			38.9	55.6	207-22	1.02	35	207-22	0.94			
207		35														207	1.02		207	0.94			
207-23	1 7/16															207-23	1.02		207-23	0.94			
SALP SBLP 208-24	1 1/2		2	7 1/4	1 29/64	5 33/64	35/64	7/8	45/64	4 1/32	0.4331	14	1/2	1.7205	2.3740	SA 208-24	1.87	1.5748	SB 208-24	1.80	LP 208		
208-25	1 9/16		50.8	184	37	140	14	22	18	102	11			43.7	60.3	208-25	1.87	40	208-25	1.80			
208		40														208	1.87		208	1.80			

SQUARE FLANGE TYPE UNITS

UCF2

(Cylindrical bore)

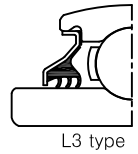
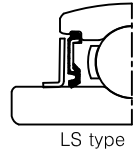
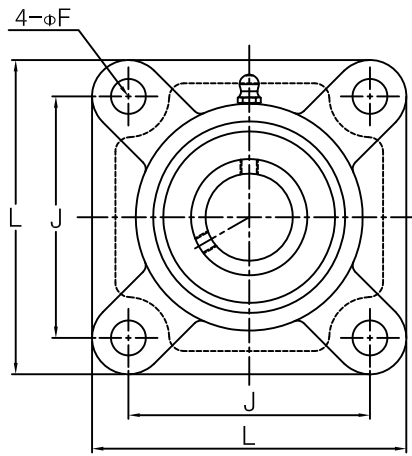
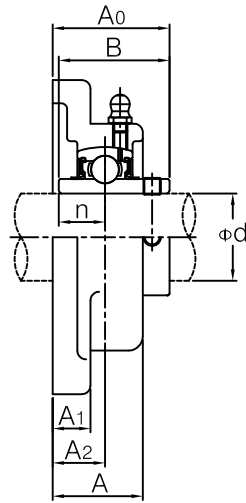


Unit No.	Shaft Dia.		Dimensions (in.) (mm)									Bolt used		Bearing No.	Housing No.	Weight (kgf)																								
	d		L	A	J	F	A ₁	A ₂	A ₀	B	n																													
	(in.)	(mm)										(mm)	(in.)																											
UCF 201	1/2	12	3/8	1	2 ³³ / ₆₄	15/32	15/32	19/32	1 ⁵ / ₁₆	1.2205	0.5000	10	3/8	UC 201	F 204	0.64																								
201-8		15															0.64																							
202		17															0.62																							
202-10		86															25.5	64	12	12	15	33.3	31	12.7	0.61															
203		117															34	92	14	15.5	19	44.4	42.9	17.5	0.61															
203-11	3/4	20	86	25.5	64	12	12	15	33.3	31	12.7	10	3/8	UC 204-12	F 204	0.59																								
204-12	20	0.59																																						
204	20	0.59																																						
UCF 205-13	13/16	25	3/4	1 ¹¹ / ₁₆	2 ³ / ₄	15/32	35/64	5/8	1 ¹³ / ₃₂	1.3425	0.5630	10	3/8	UC 205-13	F 205	0.83																								
205-14	95																27	70	12	14	16	35.8	34.1	14.3	0.83															
205-15	7/8																95	27	70	12	14	16	35.8	34.1	14.3	10	3/8	UC 205-15	F 205	0.83										
205	15/16																95	27	70	12	14	16	35.8	34.1	14.3	10	3/8	UC 205-16	F 205	0.83										
205-16	1																95	27	70	12	14	16	35.8	34.1	14.3	10	3/8	UC 205-16	F 205	0.83										
UCF 206-17	11/16	30	4 ¹ / ₄	1 ⁷ / ₃₂	3 ¹⁷ / ₆₄	15/32	9/16	45/64	1 ¹⁹ / ₃₂	1.5000	0.6260	10	3/8	UC 206-17	F 206	1.1																								
206-18	108																31	83	12	14.3	18	40.2	38.1	15.9	1.1															
206	108																31	83	12	14.3	18	40.2	38.1	15.9	10	3/8	UC 206-18	F 206	1.1											
206-19	13/16																108	31	83	12	14.3	18	40.2	38.1	15.9	10	3/8	UC 206-19	F 206	1.1										
206-20	11/4																108	31	83	12	14.3	18	40.2	38.1	15.9	10	3/8	UC 206-20	F 206	1.1										
UCF 207-20	11/4	35	4 ¹⁹ / ₃₂	1 ¹¹ / ₃₂	3 ⁵ / ₈	35/64	39/64	3/4	1 ³ / ₄	1.6890	0.6890	12	7/16	UC 207-20	F 207	1.5																								
207-21	117																34	92	14	15.5	19	44.4	42.9	17.5	1.5															
207-22	117																34	92	14	15.5	19	44.4	42.9	17.5	1.5															
207	117																34	92	14	15.5	19	44.4	42.9	17.5	1.5															
207-23	117																34	92	14	15.5	19	44.4	42.9	17.5	1.5															
UCF 208-24	11/2	40	5 ¹ / ₈	1 ¹³ / ₃₂	4 ¹ / ₆₄	5/8	39/64	53/64	2 ¹ / ₃₂	1.9370	0.7480	14	1/2	UC 208-24	F 208	1.9																								
208-25	130																36	102	16	15.5	21	51.2	49.2	19	1.9															
208	130																36	102	16	15.5	21	51.2	49.2	19	1.9															
UCF 209-26	15/8																137	38	105	16	17.5	22	52.2	49.2	19	14	1/2	UC 209-26	F 209	2.2										
209-27	137																38	105	16	17.5	22	52.2	49.2	19	14	1/2	UC 209-27	F 209	2.2											
209-28	137	38	105	16	17.5	22	52.2	49.2	19	14	1/2	UC 209-28	F 209	2.2																										
209	137	38	105	16	17.5	22	52.2	49.2	19	14	1/2	UC 209-29	F 209	2.2																										
UCF 210-29	113/16	50	5 ⁵ / ₈	1 ⁹ / ₁₆	4 ³ / ₈	5/8	11/16	55/64	2 ⁵ / ₃₂	2.0315	0.7480	14	1/2	UC 210-29	F 210	2.5																								
210-30	143																40	111	16	17.5	22	54.6	51.6	19	2.5															
210-31	143																40	111	16	17.5	22	54.6	51.6	19	2.5															
210	143																40	111	16	17.5	22	54.6	51.6	19	2.5															
210-32	143																40	111	16	17.5	22	54.6	51.6	19	2.5															
UCF 211-31	115/16	55	6 ³ / ₈	1 ¹¹ / ₁₆	5 ¹ / ₈	3/4	49/64	63/64	2 ⁵ / ₁₆	2.1890	0.8740	16	5/8	UC 211-31	F 211	3.4																								
211-32	162																43	130	19	19.5	25	58.4	55.6	22.2	3.4															
211-34	162																43	130	19	19.5	25	58.4	55.6	22.2	3.4															
211	162																43	130	19	19.5	25	58.4	55.6	22.2	3.4															
211-35	162																43	130	19	19.5	25	58.4	55.6	22.2	3.4															
UCF 212-36	21/4	60	6 ⁷ / ₈	1 ⁷ / ₈	5 ⁵ / ₈	3/4	49/64	1 ⁹ / ₆₄	2 ²³ / ₃₂	2.5630	1.0000	16	5/8	UC 212-36	F 212	4.2																								
212	175																48	143	19	19.5	29	68.7	65.1	25.4	4.2															
212-37	175																48	143	19	19.5	29	68.7	65.1	25.4	4.2															
212-38	175																48	143	19	19.5	29	68.7	65.1	25.4	4.2															
212-39	175																48	143	19	19.5	29	68.7	65.1	25.4	4.2															
UCF 213-40	21/2	65	7 ³ / ₈	1 ³¹ / ₃₂	5 ⁵⁵ / ₆₄	3/4	29/32	1 ³ / ₁₆	2 ³ / ₄	2.5630	1.0000	16	5/8	UC 213-40	F 213	5.2																								
213	187																50	149	19	23	30	69.7	65.1	25.4	5.2															
UCF 214-43	211/16																70	7 ¹⁹ / ₃₂	2 ¹ / ₈	5 ⁶³ / ₆₄	3/4	29/32	1 ⁷ / ₃₂	2 ³¹ / ₃₂	2.9370	1.1890	16	5/8	UC 214-43	F 214	5.9									
214-44	193																															54	152	19	23	31	75.4	74.6	30.2	5.9
214	193																															54	152	19	23	31	75.4	74.6	30.2	5.9
UCF 215-46	27/8	75	7 ⁷ / ₈	2 ⁷ / ₃₂	6 ¹⁷ / ₆₄	3/4	29/32	1 ¹¹ / ₃₂	3 ³ / ₃₂	3.0630	1.3110	16	5/8	UC 215-46	F 215	6.4																								
215-47	200																															56	159	19	23	34	78.5	77.8	33.3	6.4
215	200																56	159	19	23	34	78.5	77.8	33.3	6.4															
215-48	200																56	159	19	23	34	78.5	77.8	33.3	6.4															
UCF 216	80																208	58	165	23	24	34	83.3	82.6	33.3	20	3/4	UC 216	F 216	7.3										
UCF 217-52	31/4	85	8 ²¹ / ₃₂	2 ¹⁵ / ₃₂	6 ⁵⁷ / ₆₄	29/32	63/64	1 ²⁷ / ₆₄	3 ⁷ / ₁₆	3.3740	1.3425	20	3/4	UC 217-52	F 217	8.9																								
217	220																63	175	23	25	36	87.6	85.7	34.1	8.9															
UCF 218-56	31/2																90	9 ¹ / ₄	2 ¹¹ / ₁₆	7 ²³ / ₆₄	29/32	11/32	1 ³⁷ / ₆₄	3 ²⁵ / ₃₂	3.7795	1.5630	20	3/4	UC 218-56	F 218	11.4									
218	235																															68	187	23	26	40	96.3	96	39.7	11.4
UCF 218-56	90																															235	68	187	23	26	40	96.3	96	39.7
218	235	68	187	23	26	40	96.3	96	39.7	11.4																														

SQUARE FLANGE TYPE UNITS

UCFX

(Cylindrical bore)

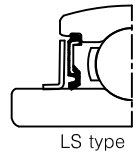
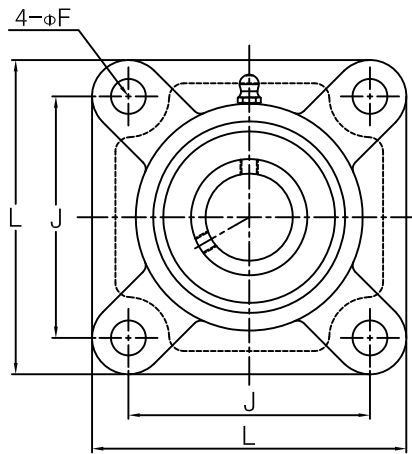
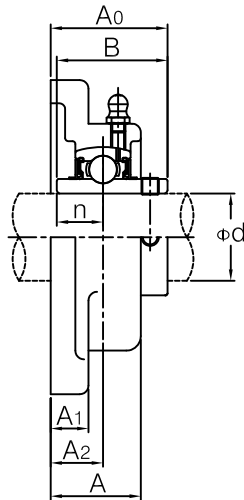


Unit No.	Shaft Dia.		Dimensions (in.) (mm)									Bolt used		Bearing No.	Housing No.	Weight (kgf)
	d		L	A	J	F	A ₁	A ₂	A ₀	B	n	(mm)	(in.)			
	(in.)	(mm)														
UCF X05-13 X05-14 X05-15 X05	13/16 7/8 15/16	25	4 1/4 108	1 3/16 30	3 17/64 83	15/32 12	1/2 12.7	45/64 18	1 19/32 40.2	1.5000 38.1	0.6260 15.9	10	3/8	UC X05-13	F X05	1.2
X05-14	1.2															
X05-15	1.2															
X05	1.2															
X05-16	1															1.2
UCF X06-17 X06-18 X06	1 1/16 1 1/8	30	4 19/32 117	1 11/32 34	3 5/8 92	5/8 16	9/16 14.3	3/4 19	1 3/4 44.4	1.6890 42.9	0.6890 17.5	14	1/2	UC X06-17	F X06	1.6
X06-18	1.6															
X06	1.6															
X06-19	1.6															
X06-20	1 3/16 1/4															1.6
UCF X07-20 X07-21 X07-22 X07	1 1/4 1 5/16 1 3/8	35	5 1/8 130	1 1/2 38	4 1/64 102	5/8 16	9/16 14.3	53/64 21	2 1/32 51.2	1.9370 49.2	0.7480 19	14	1/2	UC X07-20	F X07	2.0
X07-21	2.0															
X07-22	2.0															
X07	2.0															
X07-23	1 7/16															2.0
UCF X08-24 X08-25 X08	1 1/2 1 9/16	40	5 13/32 137	1 9/16 40	4 9/64 105	3/4 19	9/16 14.3	55/64 22	2 1/16 52.2	1.9370 49.2	0.7480 19	16	5/8	UC X08-24	F X08	2.4
X08-25	2.4															
X08	2.4															
X08-26	2.4															
UCF X09-26 X09-27 X09-28 X09	1 5/8 1 11/16 1 3/4	45	5 5/8 143	1 9/16 40	4 3/8 111	3/4 19	9/16 14.3	29/32 23	2 3/16 55.6	2.0315 51.6	0.7480 19	16	5/8	UC X09-26	F X09	2.7
X09-27	2.7															
X09-28	2.7															
X09	2.7															
UCF X10-30 X10-31 X10	1 7/8 1 15/16	50	6 3/8 162	1 23/32 44	5 1/8 130	3/4 19	25/32 19.8	1 1/32 26	2 11/32 59.4	2.1890 55.6	0.8740 22.2	16	5/8	UC X10-30	F X10	3.7
X10-31	3.7															
X10	3.7															
X10-32	3.7															
UCF X11-31 X11-32 X11-34 X11	1 15/16 2 2 1/8	55	6 7/8 175	1 15/16 49	5 5/8 143	3/4 19	25/32 19.8	1 9/64 29	2 23/32 68.7	2.5630 65.1	1.0000 25.4	16	5/8	UC X11-31	F X11	4.9
X11-32	4.9															
X11-34	4.9															
X11	4.9															
X11-35	2 3/16															4.9
UCF X12-36 X12-37 X12	2 1/4 2 5/16	60	7 3/8 187	2 5/16 59	5 55/64 149	3/4 19	13/16 20.6	1 11/32 34	2 29/32 73.7	2.5630 65.1	1.0000 25.4	16	5/8	UC X12-36	F X12	5.7
X12-37	5.7															
X12	5.7															
X12-38	5.7															
X12-39	2 3/8 2 7/16															5.7
UCF X13-40 X13	2 1/2	65	7 3/8 187	2 5/16 59	5 55/64 149	3/4 19	13/16 20.6	1 11/32 34	3 3/32 78.4	2.9370 74.6	1.1890 30.2	16	5/8	UC X13-40	F X13	6.3
X13	6.3															
UCF X14-43 X14-44 X14	2 11/16 2 3/4	70	7 3/4 197	2 3/8 60	5 63/64 152	29/32 23	15/16 23.8	1 29/64 37	3 7/32 81.5	3.0630 77.8	1.3110 33.3	20	3/4	UC X14-43	F X14	7.0
X14-44	7.0															
X14	7.0															7.0
UCF X15-47 X15 X15-48	2 15/16 3	75	7 3/4 197	2 11/16 68	5 63/64 152	29/32 23	15/16 23.8	1 37/64 40	3 17/32 89.3	3.2520 82.6	1.3110 33.3	20	3/4	UC X15-47	F X15	8.4
X15	8.4															
X15-48	8.4															8.4
UCF X16		80	8 7/16 214	2 3/4 70	6 47/64 171	29/32 23	15/16 23.8	1 37/64 40	3 19/32 91.6	3.3740 85.7	1.3425 34.1	20	3/4	UC X16	F X16	9.4 9.4
UCF X17-52 X17 X17-55	3 1/4 3 7/16	85	8 7/16 214	2 3/4 70	6 47/64 171	29/32 23	15/16 23.8	1 36/64 40	3 25/32 96.3	3.7795 96	1.5630 39.7	20	3/4	UC X17	F X17	10.8
X17-52	10.8															
X17-55	10.8															10.8
UCF X18-56 X18	3 1/2	90	8 7/16 214	3 76	6 47/64 171	29/32 23	15/16 23.8	1 49/64 45	4 3/16 106.1	4.0945 104	1.6890 42.9	20	3/4	UC X18-56	F X18	11.9
X18	11.9															
UCF X20 X20-63 X20-64	3 15/16 4	100	10 9/16 268	3 13/16 97	8 5/16 211	1 7/32 31	1 7/32 31	2 21/64 59	5 1/64 127.3	4.6260 117.5	1.9370 49.2	27	1	UC X20	F X20	19.4
X20-63	19.4															
X20-64	19.4															19.4

SQUARE FLANGE TYPE UNITS

UCF3

(Cylindrical bore)

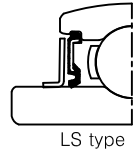
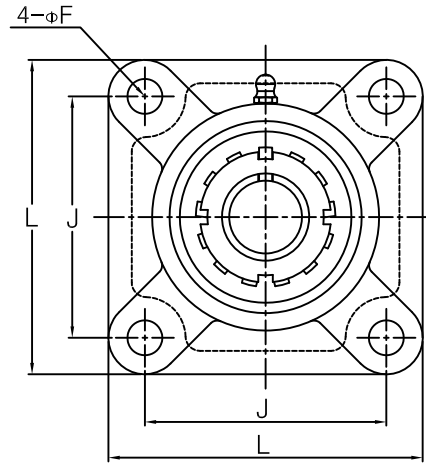
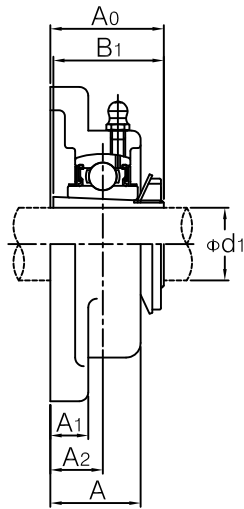


Unit No.	Shaft Dia.		Dimensions (in./mm)										Bolt used		Bearing No.	Housing No.	Weight (kgf)
	d	(mm)	L	A	J	F	A ₁	A ₂	A ₀	B	n						
												(in.)	(mm)	(mm)			
UCF 305 305-16	1	25	4 ¹¹ / ₃₂ 110	1 ⁵ / ₃₂ 29	3 ⁵ / ₃₂ 80	5/8 16	1/2 13	5/8 16	1 ¹⁷ / ₃₂ 39	1.4961 38	0.5906 15	14	1/2	UC 305 305-16	F 305	1.3 1.3	
UCF 306-18 306	1 1/8	30	4 ²⁹ / ₃₂ 125	1 1/4 32	3 ⁴⁷ / ₆₄ 95	5/8 16	19/32 15	45/64 18	1 ²³ / ₃₂ 44	1.6929 43	0.6693 17	14	1/2	UC 306-18 306	F 306	1.9 1.9	
UCF 307-20 307-22 307 307-23	1 1/4 1 3/8 1 7/16	35	5 ⁵ / ₁₆ 135	1 ¹³ / ₃₂ 36	3 ¹⁵ / ₁₆ 100	3/4 19	5/8 16	25/32 20	1 ¹⁵ / ₁₆ 49	1.8897 48	0.7480 19	16	5/8	UC 307-20 307-22 307 307-23	F 307	2.3 2.3 2.3 2.3	
UCF 308-24 308	1 1/2	40	5 ²⁹ / ₃₂ 150	1 ⁹ / ₁₆ 40	4 ¹³ / ₃₂ 112	3/4 19	21/32 17	29/32 23	2 ⁷ / ₃₂ 56	2.0472 52	0.7480 19	16	5/8	UC 308-24 308	F 308	3.1 3.1	
UCF 309-28 309	1 3/4	45	6 ⁵ / ₁₆ 160	1 ²³ / ₃₂ 44	4 ⁵⁹ / ₆₄ 125	3/4 19	23/32 18	63/64 25	2 ³ / ₈ 60	2.2441 57	0.8661 22	16	5/8	UC 309-28 309	F 309	4.0 4.0	
UCF 310-31 310	1 15/16	50	6 ⁷ / ₈ 175	1 ⁷ / ₈ 48	5 ¹³ / ₆₄ 132	29/32 23	3/4 19	1 ⁷ / ₆₄ 28	2 ⁵ / ₈ 67	2.4015 61	0.8661 22	20	3/4	UC 310-31 310	F 310	5.1 5.1	
UCF 311-32 311	2	55	7 ³ / ₃₂ 185	2 ¹ / ₁₆ 52	5 ³³ / ₆₄ 140	29/32 23	25/32 20	1 ³ / ₁₆ 30	2 ²⁵ / ₃₂ 71	2.5984 66	0.9842 25	20	3/4	UC 311-32 311	F 311	5.6 5.6	
UCF 312		60	7 ¹¹ / ₁₆ 195	2 ⁷ / ₃₂ 56	5 ²⁹ / ₃₂ 150	29/32 23	7/8 22	1 ¹⁹ / ₆₄ 33	3 ¹ / ₁₆ 78	2.7953 71	1.0236 26	20	3/4	UC 312	F 312	6.9 6.9	
UCF 313-40 313	2 1/2	65	8 ³ / ₁₆ 208	2 ⁹ / ₃₂ 58	6 ¹⁷ / ₃₂ 166	29/32 23	7/8 22	1 ¹⁹ / ₆₄ 33	3 ¹ / ₁₆ 78	2.9528 75	1.1811 30	20	3/4	UC 313-40 313	F 313	7.8 7.8	
UCF 314-44 314	2 3/4	70	8 ²⁹ / ₃₂ 226	2 ¹³ / ₃₂ 61	7 ¹ / ₆₄ 178	63/64 25	63/64 25	1 ²⁷ / ₆₄ 36	3 ³ / ₁₆ 81	3.0709 78	1.2992 33	22	7/8	UC 314-44 314	F 314	10.1 10.1	
UCF 315 315-48	3	75	9 ⁹ / ₃₂ 236	2 ¹⁹ / ₃₂ 66	7 ¹ / ₄ 184	63/64 25	63/64 25	1 ¹⁷ / ₃₂ 39	3 ¹ / ₂ 89	3.2283 82	1.2598 32	22	7/8	UC 315 315-48	F 315	11.6 11.6	
UCF 316		80	9 ²⁷ / ₃₂ 250	2 ¹¹ / ₁₆ 68	7 ²³ / ₃₂ 196	1 ⁷ / ₃₂ 31	1 1/16 27	1 1/2 38	3 ¹⁷ / ₃₂ 90	3.3858 86	1.3386 34	27	1	UC 316	F 316	12.8 12.8	
UCF 317		85	10 ¹ / ₄ 260	2 ²⁹ / ₃₂ 74	8 ¹ / ₃₂ 204	1 ⁷ / ₃₂ 31	1 1/16 27	1 ⁴⁷ / ₆₄ 44	3 ¹⁵ / ₁₆ 100	3.7795 96	1.5748 40	27	1	UC 317	F 317	15.3 15.3	
UCF 318-56 318	3 1/2	90	11 ¹³ / ₃₂ 280	3 76	8 ¹ / ₂ 216	1 3/8 35	1 3/16 30	1 ⁴⁷ / ₆₄ 44	3 ¹⁵ / ₁₆ 100	3.7795 96	1.5748 40	30	1 1/8	UC 318-56 318	F 318	18.9 18.9	
UCF 319		95	11 ¹³ / ₃₂ 290	3 ¹¹ / ₁₆ 94	8 ³¹ / ₃₂ 228	1 3/8 35	1 3/16 30	2 ²¹ / ₆₄ 59	4 ³ / ₄ 121	4.0551 103	1.6142 41	30	1 1/8	UC 319	F 319	21.6 21.6	
UCF 320 320-64	4	100	12 ⁷ / ₃₂ 310	3 ¹¹ / ₁₆ 94	9 ¹⁷ / ₃₂ 242	1 1/2 38	1 1/4 32	2 ²¹ / ₆₄ 59	4 ²⁹ / ₃₂ 125	4.2519 108	1.6535 42	33	1 1/4	UC 320 320-64	F 320	25.8 25.8	
UCF 321		105	12 ⁷ / ₃₂ 310	3 ¹¹ / ₁₆ 94	9 ¹⁷ / ₃₂ 242	1 1/2 38	1 1/4 32	2 ²¹ / ₆₄ 59	5 127	4.4094 112	1.7323 44	33	1 1/4	UC 321	F 321	30.2 30.2	
UCF 322		110	13 ³ / ₈ 340	3 ²³ / ₃₂ 96	10 ¹⁵ / ₃₂ 266	1 ³⁹ / ₆₄ 41	1 3/8 35	2 ²³ / ₆₄ 60	5 ⁵ / ₃₂ 131	4.6063 117	1.8110 46	36	1 3/8	UC 322	F 322	35.3 35.3	
UCF 324		120	14 ⁹ / ₁₆ 370	4 ¹¹ / ₃₂ 110	11 ²⁷ / ₆₄ 290	1 ³⁹ / ₆₄ 41	1 ⁹ / ₁₆ 40	2 ⁹ / ₁₆ 65	5 ¹ / ₂ 140	4.9606 126	2.0079 51	36	1 3/8	UC 324	F 324	47.3 47.3	
UCF 326 326-82	5 1/8	130	16 ⁵ / ₃₂ 410	4 ¹⁷ / ₃₂ 115	12 ¹⁹ / ₃₂ 320	1 ³⁹ / ₆₄ 41	1 ²⁵ / ₃₂ 45	2 ⁹ / ₁₆ 65	5 ³ / ₄ 146	5.3150 135	2.1260 54	36	1 3/8	UC 326 326-82	F 326	65.5 65.5	
UCF 328-88 328	5 1/2	140	17 ²³ / ₃₂ 450	4 ²⁹ / ₃₂ 125	13 ²⁵ / ₃₂ 350	1 ³⁹ / ₆₄ 41	2 ⁵ / ₃₂ 55	2 ⁶¹ / ₆₄ 75	6 ¹¹ / ₃₂ 161	5.7086 145	2.3228 59	36	1 3/8	UC 328 328-88	F 328	93.4 93.4	

SQUARE FLANGE TYPE UNITS

UKF2

(Tapered bore)

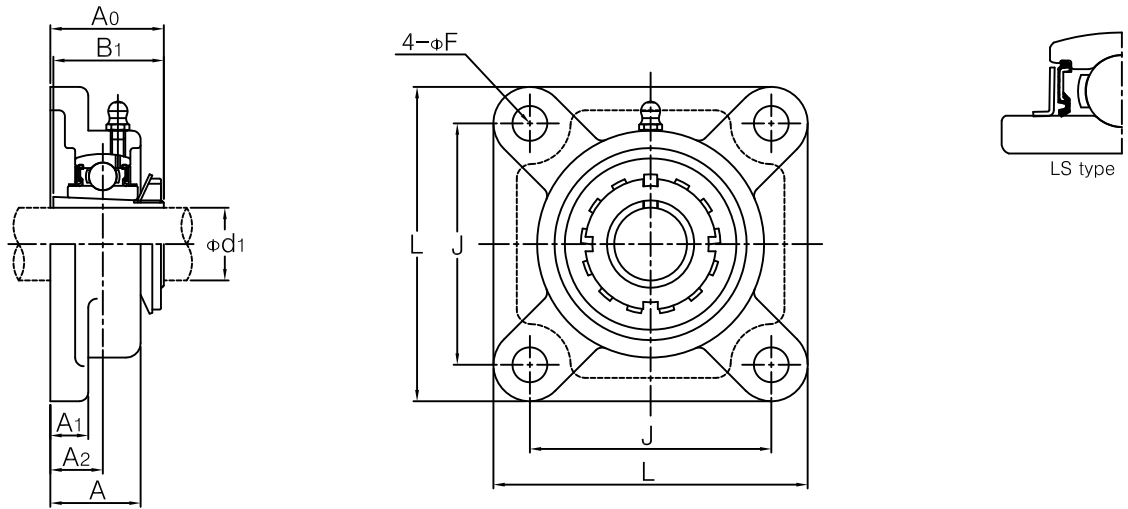


Unit No.	Shaft Dia.		Dimensions (in./mm)								Bolt used		Bearing No.	Housing No.	Adapter used	Weight (kgf)
	d ₁		L	A	J	F	A ₁	A ₂	A ₀	B ₁	(mm)	(in.)				
	(in.)	(mm)														
UKF 205 205	3/4	20	33/4 95	11/16 27	23/4 70	15/32 12	35/64 14	5/8 16	125/64 35.5	13/8 35	10	3/8	UK 205	F 205	HE2305 H 2305	0.87 0.87
UKF 206 206 206 206	7/8 15/16 1	25	41/4 108	17/32 31	317/64 83	15/32 12	9/16 14.3	45/64 18	117/32 39	11/2 38	10	3/8	UK 206	F 206	HS2306 HA2306 H 2306 HE2306	1.3 1.3 1.3 1.3
UKF 207 207 207	11/8 13/16	30	419/32 117	111/32 34	35/8 92	35/64 14	39/64 15.5	3/4 19	141/64 41.5	111/16 43	12	7/16	UK 207	F 207	HS2307 H 2307 HA2307	1.6 1.6 1.6
UKF 208 208 208	11/4 13/8	35	51/8 130	113/32 36	41/64 102	5/8 16	39/64 15.5	53/64 21	151/64 45.5	113/16 46	14	1/2	UK 208	F 208	HE2308 HS2308 H 2308	1.9 1.9 1.9
UKF 209 209 209	17/16 11/2 15/8	40	513/32 137	11/2 38	49/64 105	5/8 16	11/16 17.5	55/64 22	157/64 48	131/32 50	14	1/2	UK 209	F 209	HA2309 HE2309 H 2309 HS2309	2.3 2.3 2.3 2.3
UKF 210 210 210	111/16 13/4	45	55/8 143	19/16 40	43/8 111	5/8 16	11/16 17.5	55/64 22	161/64 49.5	25/32 55	14	1/2	UK 210	F 210	HA2310 HE2310 H 2310	2.6 2.6 2.6
UKF 211 211 211 211	17/8 15/16 2	50	63/8 162	111/16 43	51/8 130	3/4 19	49/64 19.5	63/64 25	21/8 53.5	25/16 59	16	5/8	UK 211	F 211	HS2311 HA2311 H 2311 HE2311	3.5 3.5 3.5 3.5
UKF 212 212	21/8	55	67/8 175	17/8 48	55/8 143	3/4 19	49/64 19.5	19/64 29	223/64 60	27/16 62	16	5/8	UK 212	F 212	HS2312 H 2312	4.1 4.1
UKF 213 213 213 213	23/16 21/4 23/8	60	73/8 187	131/32 50	555/64 149	3/4 19	29/32 23	13/16 30	231/64 63	29/16 65	16	5/8	UK 213	F 213	HA2313 HE2313 H 2313 HS2313	5.1 5.1 5.1 5.1
UKF 215 215 215	27/16 21/2	65	77/8 200	27/32 56	617/64 159	3/4 19	29/32 23	111/32 34	247/64 69.5	27/8 73	16	5/8	UK 215	F 215	HA2315 HE2315 H 2315	6.5 6.5 6.5
UKF 216 216 216	211/16 23/4	70	83/16 208	29/32 58	61/2 165	29/32 23	15/16 24	111/32 34	27/8 73	31/16 78	20	3/4	UK 216	F 216	HA2316 HE2316 H 2316	7.6 7.6 7.6
UKF 217 217 217	215/16 3	75	821/32 220	215/32 63	657/64 175	29/32 23	63/64 25	127/64 36	31/32 77	37/32 82	20	3/4	UK 217	F 217	HA2317 HE2317 H 2317	9.0 9.0 9.0
UKF 218		80	91/4 235	211/16 68	723/64 187	29/32 23	11/32 26	137/64 40	31/4 82.5	33/8 86	20	3/4	UK 218	F 218	HS2318	11.4

SQUARE FLANGE TYPE UNITS

UKFX

(Tapered bore)

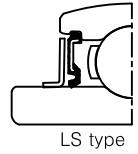
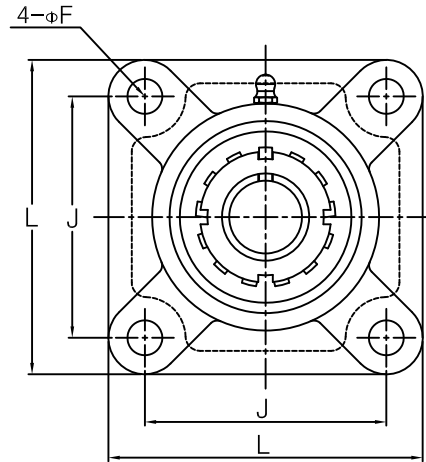
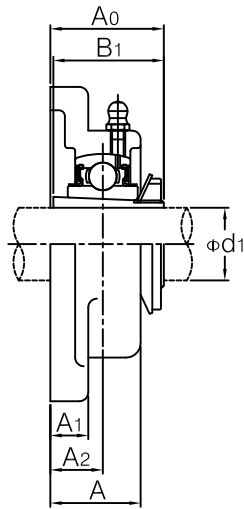


Unit No.	Shaft Dia.		Dimensions (in.) (mm)										Bolt used		Bearing No.	Housing No.	Adapter used	Weight (kgf)
	d ₁		L	A	J	F	A ₁	A ₂	A ₀	B ₁	(mm)	(in.)						
	(in.)	(mm)																
UKF X05 X05	3/4	20	4 1/4 108	1 3/16 30	3 17/64 83	15/32 12	1/2 12.7	45/64 18	1 17/32 39	1 3/8 35	10	3/8	UK X05	F X05	HE2305 H 2305	1.2 1.2		
UKF X06 X06 X06 X06	7/8 15/16 1	25	4 19/32 117	1 11/32 34	3 5/8 92	5/8 16	9/16 14.3	3/4 19	1 19/32 40.5	1 1/2 38	14	1/2	UK X06	F X06	HS2306 HA2306 H 2306 HE2306	1.6 1.6 1.6 1.6		
UKF X07 X07 X07	1 1/8 1 3/16	30	5 1/8 130	1 1/2 38	4 1/64 102	5/8 16	9/16 14.3	53/64 21	1 3/4 44.5	1 11/16 43	14	1/2	UK X07	F X07	HS2307 H 2307 HA2307	2.0 2.0 2.0		
UKF X08 X08 X08	1 1/4 1 3/8	35	5 13/32 137	1 9/16 40	4 9/64 105	3/4 19	9/16 14.3	55/64 22	1 27/32 47	1 13/16 46	16	5/8	UK X08	F X08	HE2308 H 2308 HS2308	2.3 2.3 2.3		
UKF X09 X09 X09 X09	1 7/16 1 1/2 1 5/8	40	5 5/8 143	1 9/16 40	4 3/8 111	3/4 19	9/16 14.3	29/32 23	1 61/64 49.5	1 31/32 50	16	5/8	UK X09	F 209	HA2309 HE2309 H 2309 HS2309	2.7 2.7 2.7 2.7		
UKF X10 X10 X10	1 11/16 1 3/4	45	6 3/8 162	1 23/32 44	5 1/8 130	3/4 19	25/32 19.8	1 1/32 26	2 9/64 54.5	2 5/32 55	16	5/8	UK X10	F X10	HA2310 HE2310 H 2310	3.6 3.6 3.6		
UKF X11 X11 X11 X11	1 7/8 1 15/16 2	50	6 7/8 175	1 15/16 49	5 5/8 143	3/4 19	25/32 19.8	1 9/64 29	2 21/64 59	2 5/16 59	16	5/8	UK X11	F X11	HS2311 HA2311 H 2311 HE2311	4.6 4.6 4.6 4.6		
UKF X12 X12	2 1/8	55	7 3/8 187	2 5/16 59	5 55/64 149	3/4 19	13/16 20.6	1 11/32 34	2 19/32 66	2 7/16 62	16	5/8	UK X12	F X12	HS2312 H 2312	5.5 5.5		
UKF X13 X13 X13 X13	2 3/16 2 1/4 2 3/8	60	7 3/8 187	2 5/16 59	5 55/64 149	3/4 19	13/16 20.6	1 11/32 34	2 43/64 68	2 9/16 65	16	5/8	UK X13	F X13	HA2313 HE2313 H 2313 HS2313	6.0 6.0 6.0 6.0		
UKF X15 X15 X15	2 1/2 2 5/8	65	7 3/4 197	2 11/16 68	5 63/64 152	29/32 23	15/16 23.8	1 37/64 40	3 1/32 77	2 7/8 73	20	3/4	UK X15	F X15	HA2315 HE2315 H 2315	8.1 8.1 8.1		
UKF X16 X16	2 3/4	70	8 7/16 214	2 3/4 70	6 47/64 171	29/32 23	15/16 23.8	1 37/64 40	3 5/32 80	3 1/16 78	20	3/4	UK X16	F X16	HE2316 H 2316	9.5 9.5		
UKF X17 X17 X17 X17	2 7/8 2 15/16 3	75	8 7/16 214	2 3/4 70	6 47/64 171	29/32 23	15/16 23.8	1 37/64 40	3 1/4 82.5	3 7/32 82	20	3/4	UK X16	F X16	HS2317 HA2317 H 2317 HE2317	10.4 10.4 10.4 10.4		
UKF X18		80	8 7/16 214	3 76	6 47/64 171	29/32 23	15/16 23.8	1 49/64 45	3 15/32 88	3 3/8 86	20	3/4	UK X18	F X18	H 2318	11.4		
UKF X20 X20	3 1/2	90	10 3/16 268	3 13/16 97	8 5/16 211	1 7/32 31	1 7/32 31	2 21/64 59	4 11/64 106	3 13/16 97	27	1	UK X20	F X20	HE2320 H 2320	18.4 18.4		

SQUARE FLANGE TYPE UNITS

UKF3

(Tapered bore)

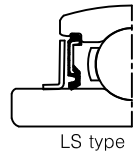
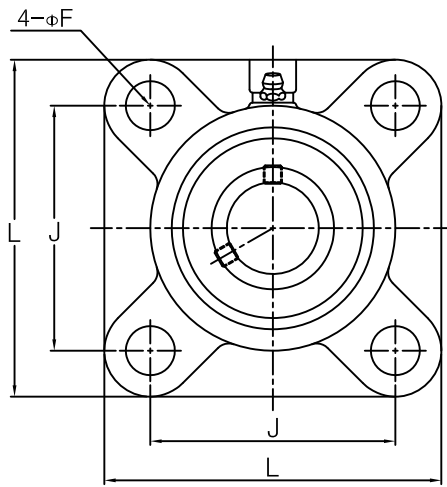
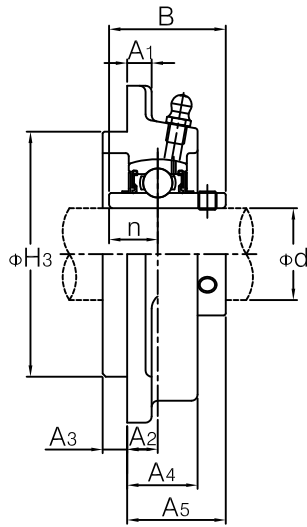


Unit No.	Shaft Dia.		Dimensions (in. / mm)									Bolt used		Bearing No.	Housing No.	Adapter used	Weight (kgf)									
	d ₁		L	A	J	F	A ₁	A ₂	A ₀	B ₁	(mm)	(in.)														
	(in.)	(mm)																								
UKF 305	3/4	20	4 11/32	1 5/32	3 5/32	5/8	1/2	5/8	1 15/32	1 3/8	14	1/2	UK 305	F 305	HE2305	1.4										
305			110	29	80	16	13	16	37.5	35					H 2305	1.4										
UKF 306	7/8	25	4 29/32	1 1/4	3 47/64	5/8	19/32	45/64	1 39/64	1 1/2	14	1/2	UK 306	F 306	HS2306	1.9										
306	15/16														125	32	95	16	15	18	41	38			HA2306	1.9
306	1																								H 2306	1.9
306																									HE2306	1.9
UKF 307	1 1/8	30	5 5/16	1 13/32	3 15/16	3/4	5/8	25/32	1 51/64	1 11/16	16	5/8	UK 307	F 307	HS2307	2.3										
307	13/16														135	36	100	19	16	20	45.5	43			H 2307	2.3
307																									HA2307	2.3
UKF 308	1 1/4	35	5 29/32	1 9/16	4 13/32	3/4	21/32	29/32	1 63/64	1 13/16	16	5/8	UK 308	F 308	HE2308	3.1										
308	13/8														150	40	112	19	17	23	50.5	46			HS2308	3.1
308																									H 2308	3.1
UKF 309	1 7/16	40	6 5/16	1 23/32	4 59/64	3/4	23/32	63/64	2 11/64	1 31/32	16	5/8	UK 309	F 309	HA2309	4.1										
309	1 1/2														160	44	125	19	18	25	55	50			HE2309	4.1
309	1 5/8																								H 2309	4.1
309																									HS2309	4.1
UKF 310	1 11/16	45	6 7/8	1 7/8	5 13/64	29/32	3/4	1 7/64	2 23/64	2 5/32	20	3/4	UK 310	F 310	HA2310	5.1										
310	1 3/4														175	48	132	23	19	28	60	55			HE2310	5.1
310																									H 2310	5.1
UKF 311	1 7/8	50	7 9/32	2 1/16	5 33/64	29/32	25/32	1 3/16	2 1/2	2 5/16	20	3/4	UK 311	F 311	HS2311	5.9										
311	1 5/8														185	52	140	23	20	30	63.5	59			HA2311	5.9
311	2																								H 2311	5.9
311																									HE2311	5.9
UKF 312	2 1/8	55	7 11/16	2 7/32	5 29/32	29/32	7/8	1 19/64	2 23/32	2 7/16	20	3/4	UK 312	F 312	HS2312	6.8										
312															195	56	150	23	22	33	69	62			H 2312	6.8
UKF 313	2 3/16	60	8 3/16	2 9/32	6 17/32	29/32	7/8	1 19/64	2 51/64	2 9/16	20	3/4	UK 313	F 313	HA2313	7.9										
313	2 1/4														208	58	166	23	22	33	71	65			HE2313	7.9
313	2 3/8																								H 2313	7.9
313																									HS2313	7.9
UKF 315	2 1/2	65	9 9/32	2 19/32	7 1/4	63/64	63/64	1 17/32	3 3/16	2 7/8	22	7/8	UK 315	F 315	HE2315	11.7										
315															236	66	184	25	25	39	81	73			H 2315	11.7
UKF 316	2 3/4	70	9 27/32	2 11/16	7 23/32	1 7/32	1 1/16	1 1/2	3 9/32	3 1/16	27	1	UK 316	F 316	HE2316	12.9										
316															250	68	196	31	27	38	83.5	78			H 2316	12.9
UKF 317	3	75	10 1/4	2 29/32	8 1/32	1 7/32	1 1/16	1 47/64	3 5/8	3 7/32	27	1	UK 317	F 317	H 2317	15.2										
317															260	74	204	31	27	44	92	82			HE2317	15.2
UKF 318		80	11 1/32	3	8 1/2	1 3/8	1 3/16	1 47/64	3 11/16	3 3/8	30	1 1/8	UK 318	F 318	H 2318	19.0										
			280	76	216	35	30	44	93.5	86																
UKF 319	3 1/4	85	11 13/32	3 11/16	8 31/32	1 3/8	1 3/16	2 21/64	4 3/8	3 17/32	30	1 1/8	UK 319	F 319	HE2319	21.9										
319															290	94	228	35	30	59	111	90			H 2319	21.9
UKF 320	3 1/2	90	12 7/32	3 11/16	9 17/32	1 1/2	1 1/4	2 21/64	4 31/64	3 13/16	33	1 1/4	UK 320	F 320	HE2320	25.4										
320															310	94	242	38	32	59	114	97			H 2320	25.4
UKF 322	4	100	13 3/8	3 25/32	10 15/32	1 39/64	1 3/8	2 23/64	4 49/64	4 1/8	36	1 3/8	UK 322	F 322	HE2322	35.2										
322															340	96	266	41	35	60	121	105			H 2322	35.2
UKF 324	4 7/16	110	14 9/16	4 11/32	11 27/64	1 39/64	1 9/16	2 9/16	5 1/8	4 13/32	36	1 3/8	UK 324	F 324	H 2324	47.6										
324															370	110	290	41	40	65	130	112			HA2324	47.6
UKF 326	4 1/2	115	16 5/32	4 17/32	12 19/32	1 39/64	1 25/32	2 9/16	5 9/32	4 3/4	36	1 3/8	UK 326	F 326	HE2326	65.3										
326															410	115	320	41	45	65	134	121			H 2326	65.3
UKF 328	4 5/16	125	17 23/32	4 29/32	13 25/32	1 39/64	2 5/32	2 61/64	5 53/64	5 5/32	36	1 3/8	UK 328	F 328	H 2328	93.4										
328															450	125	350	41	55	75	148	131			HA2328	93.4

SQUARE FLANGE S TYPE UNITS

UCFS3

(Cylindrical bore)

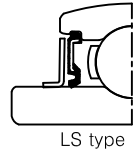
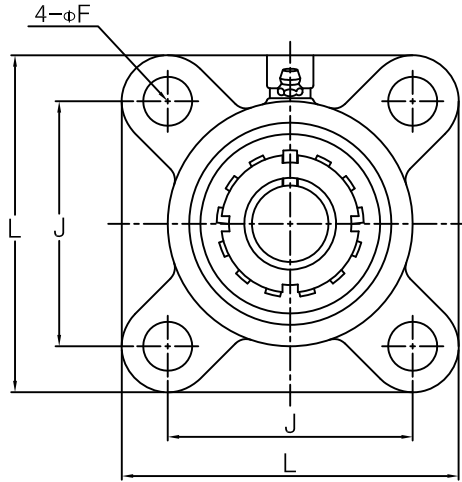
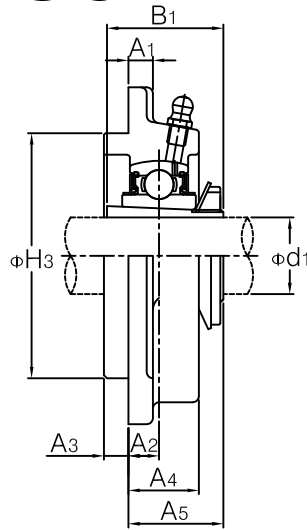


Unit No.	Shaft Dia. d		Dimensions (in./mm)											Bolt used		Bearing No.	Housing No.	Weight (kgf)
	(in.)	(mm)	L	H ₃	J	F	A ₁	A ₂	A ₃	A ₄	A ₅	B	n	(mm)	(in.)			
UCFS 305 305-16	1	25	4 11/32 110	3 5/32 80	3 5/32 80	5/8 16	1/2 13	23/64 9	9/32 7	7/8 22	1 1/4 32	1.4961 38	0.5906 15	14	1/2	UC 305 305-16	FS 305	1.4 1.4
UCFS 306-18 306	1 1/8	30	4 29/32 125	3 17/32 90	3 47/64 95	5/8 16	19/32 15	25/64 10	5/16 8	15/16 24	1 13/32 36	1.6929 43	0.6693 17	14	1/2	UC 306-18 306	FS 306	1.9 1.9
UCFS 307-20 307-22 307 307-23	1 1/4 1 3/8 1 7/16	35	5 5/16 135	3 15/16 100	3 15/16 100	3/4 19	5/8 16	7/16 11	23/64 9	1 1/16 27	1 9/16 40	1.8897 48	0.7480 19	16	5/8	UC 307-20 307-22 307 307-23	FS 307	2.3 2.3 2.3 2.3
UCFS 308-24 308	1 1/2	40	5 29/32 150	4 17/32 115	4 13/32 112	3/4 19	2 1/32 17	33/64 13	25/64 10	1 3/16 30	1 13/16 46	2.0472 52	0.7480 19	16	5/8	UC 308-24 308	FS 308	3.4 3.4
UCFS 309-28 309	1 3/4	45	6 5/16 160	4 59/64 125	4 59/64 125	3/4 19	23/32 18	35/64 14	7/16 11	1 5/16 33	1 15/16 49	2.2441 57	0.8661 22	16	5/8	UC 309-28 309	FS 309	4.4 4.4
UCFS 310-31 310	1 5/16	50	6 7/8 175	5 33/64 140	5 13/64 132	29/32 23	3/4 19	5/8 16	15/32 12	1 13/32 36	2 5/32 55	2.4015 61	0.8861 22	20	3/4	UC 310-31 310	FS 310	5.3 5.3
UCFS 311-32 311	2	55	7 9/32 185	5 29/32 150	5 33/64 140	29/32 23	25/32 20	43/64 17	33/64 13	1 17/32 39	2 9/32 58	2.5984 66	0.9842 25	20	3/4	UC 311-32 311	FS 311	6.1 6.1
UCFS 312		60	7 11/16 195	6 5/16 160	5 29/32 150	29/32 23	7/8 22	3/4 19	35/64 14	1 21/32 42	2 17/32 64	2.7953 71	1.0236 26	20	3/4	UC 312	FS 312	7.4 7.4
UCFS 313-40 313	2 1/2	65	8 3/16 208	6 7/8 175	6 17/32 166	29/32 23	7/8 22	19/32 15	45/64 18	1 9/16 40	2 3/8 60	2.9528 75	1.1811 30	20	3/4	UC 313-40 313	FS 313	8.8 8.8
UCFS 314-44 314	2 3/4	70	8 29/32 226	7 9/32 185	7 1/64 178	63/64 25	63/64 25	45/64 18	45/64 18	1 43/64 43	2 15/32 63	3.0709 78	1.2992 33	22	7/8	UC 314-44 314	FS 314	11.2 11.2
UCFS 315 315-48	3	75	9 9/32 236	7 7/8 200	7 1/4 184	63/64 25	63/64 25	45/64 18	45/64 18	1 7/8 48	2 25/32 71	3.2283 82	1.2598 32	22	7/8	UC 315 315-48	FS 315	13.7 13.7
UCFS 316		80	9 27/32 250	8 9/32 210	7 23/32 196	1 7/32 31	1 1/16 27	45/64 18	25/32 20	1 7/8 48	2 3/4 70	3.3858 86	1.3386 34	27	1	UC 316	FS 316	15.1 15.1
UCFS 317		85	10 1/4 260	8 21/32 220	8 1/32 204	1 7/32 31	1 1/16 27	15/16 24	25/32 20	2 1/8 54	3 5/32 80	3.7795 96	1.5748 40	27	1	UC 317	FS 317	17.3 17.3
UCFS 318-56 318	3 1/2	90	11 1/32 280	9 7/16 240	8 1/2 216	1 3/8 35	1 3/16 30	15/16 24	25/32 20	2 7/32 56	3 5/32 80	3.7795 96	1.5748 40	30	1 1/8	UC 318-56 318	FS 318	21.3 21.3
UCFS 319		95	11 13/32 290	9 27/32 250	8 31/32 228	1 3/8 35	1 3/16 30	1 17/32 39	25/32 20	2 29/32 74	3 31/32 101	4.0551 103	1.6142 41	30	1 1/8	UC 319	FS 319	24.5 24.5
UCFS 320 320-64	4	100	12 7/32 310	10 1/4 260	9 17/32 242	1 1/2 38	1 1/4 32	1 17/32 39	25/32 20	2 29/32 74	4 1/8 105	4.2519 108	1.6535 42	33	1 1/4	UC 320 320-64	FS 320	29.5 29.5
UCFS 321		105	12 7/32 310	10 1/4 260	9 17/32 242	1 1/2 38	1 1/4 32	1 17/32 39	25/32 20	2 29/32 74	4 7/32 107	4.4094 112	1.7323 44	33	1 1/4	UC 321	FS 321	32.7 32.7
UCFS 322		110	13 3/8 340	11 13/16 300	10 15/32 266	1 39/64 41	1 3/8 35	1 3/8 35	63/64 25	2 25/32 71	4 3/16 106	4.6063 117	1.8110 46	36	1 3/8	UC 322	FS 322	39.0 39.0
UCFS 324		120	14 9/16 370	13 330	11 27/64 290	1 39/64 41	1 9/16 40	1 3/8 35	1 3/16 30	3 5/32 80	4 11/32 110	4.9606 126	2.0079 51	36	1 3/8	UC 324	FS 324	50.6 50.6
UCFS 326 326-82	5 1/8	130	16 5/32 410	14 3/16 360	12 19/32 320	1 39/64 41	1 25/32 45	1 3/8 35	1 3/16 30	3 11/32 85	4 9/16 116	5.3150 135	2.1260 54	36	1 3/8	UC 326 326-82	FS 326	67.7 67.7
UCFS 328 328-88	5 1/2	140	17 23/32 450	15 3/4 400	13 25/32 350	1 39/64 41	25/32 55	1 49/64 45	1 3/16 30	3 3/4 95	5 5/32 131	5.7086 145	2.3228 59	36	1 3/8	UC 328 328-88	FS 328	94.0 94.0

SQUARE FLANGE S TYPE UNITS

UKFS3

(Tapered bore)

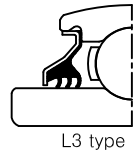
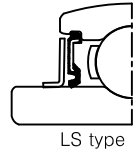
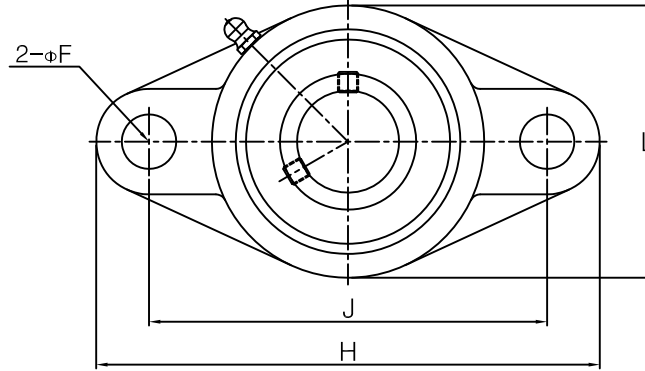
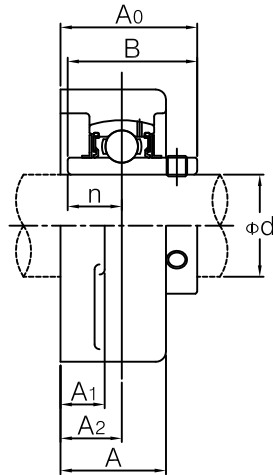


Unit No.	Shaft Dia.		Dimensions (in./mm)										Bolt used		Bearing No.	Housing No.	Adapter used	Weight (kgf)
	d1		L	H ₃	J	F	A ₁	A ₂	A ₃	A ₄	A ₅	B ₁						
	(in.)	(mm)											(mm)	(in.)				
UKFS 305 305	3/4	20	4 ^{11/32} 110	3 ^{5/32} 80	3 ^{5/32} 80	5/8 16	1/2 13	23/64 9	9/32 7	7/8 22	1.2008 30.5	1.3780 35	14	1/2	UK 305	FS 305	HE2305 H 2305	1.4 1.4
UKFS 306 306 306	7/8 1	25	4 ^{29/32} 125	3 ^{17/32} 90	3 ^{47/64} 95	5/8 16	19/32 15	25/64 10	5/16 8	15/16 24	1.2992 33	1.4961 38	14	1/2	UK 306	FS 306	HS2306 H 2306 HE2306	1.9 1.9 1.9
UKFS 307 307 307	1 ^{1/8} 1 ^{3/16}	30	5 ^{5/16} 135	3 ^{15/16} 100	3 ^{15/16} 100	3/4 19	5/8 16	7/16 11	23/64 9	1 ^{1/16} 27	1.4370 36.5	1.6929 43	16	5/8	UK 307	FS 307	HS2307 H 2307 HA2307	2.3 2.3 2.3
UKFS 308 308 308	1 ^{1/4} 1 ^{3/8}	35	5 ^{29/32} 150	4 ^{17/32} 115	4 ^{13/32} 112	3/4 19	21/32 17	33/64 13	25/64 10	1 ^{3/16} 30	1.5945 40.5	1.8110 46	16	5/8	UK 308	FS 308	HE2308 HS2308 H 2308	3.4 3.4 3.4
UKFS 309 309 309	1 ^{1/2} 1 ^{5/8}	40	6 ^{5/16} 160	4 ^{59/64} 125	4 ^{59/64} 125	3/4 19	23/32 18	35/64 14	7/16 11	1 ^{5/16} 33	1.7323 44	1.9685 50	16	5/8	UK 309	FS 309	HE2309 H 2309 HS2309	4.4 4.4 4.4
UKFS 310 310 310	1 ^{11/16} 1 ^{3/4}	45	6 ^{7/8} 175	5 ^{33/64} 140	5 ^{13/64} 132	29/32 23	3/4 19	5/8 16	15/32 12	1 ^{13/32} 36	1.8898 48	2.1654 55	20	3/4	UK 310	FS 310	HA2310 HE2310 H 2310	5.3 5.3 5.3
UKFS 311 311 311	1 ^{7/8} 2	50	7 ^{9/32} 185	5 ^{29/32} 150	5 ^{33/64} 140	29/32 23	25/32 20	43/64 17	33/64 13	1 ^{17/32} 39	1.9882 50.5	2.3228 59	20	3/4	UK 311	FS 311	HS2311 H 2311 HE2311	6.1 6.1 6.1
UKFS 312 312	2 ^{1/8}	55	7 ^{11/16} 195	6 ^{5/16} 160	5 ^{29/32} 150	29/32 23	7/8 22	3/4 19	35/64 14	1 ^{21/32} 42	2.1653 55	2.4409 62	20	3/4	UK 312	FS 312	HS2312 H 2312	7.4 7.4
UKFS 313 313 313	2 ^{1/4} 2 ^{3/8}	60	8 ^{3/16} 208	6 ^{7/8} 175	6 ^{17/32} 166	29/32 23	7/8 22	19/32 15	45/64 18	1 ^{9/16} 40	2.0866 53	2.5591 65	20	3/4	UK 313	FS 313	HE2313 H 2313 HS2313	8.8 8.8 8.8
UKFS 315 315	2 ^{1/2}	65	9 ^{9/32} 236	7 ^{7/8} 200	7 ^{1/4} 184	63/64 25	63/64 25	53/64 21	45/64 18	1 ^{7/8} 48	2.4803 63	2.8740 73	22	7/8	UK 315	FS 315	HE2315 H 2315	13.7 13.7
UKFS 316 316	2 ^{3/4}	70	9 ^{27/32} 250	8 ^{9/32} 210	7 ^{23/32} 196	1 ^{7/32} 31	1 ^{1/16} 27	45/64 18	25/32 20	1 ^{7/8} 48	2.5 63.5	3.0709 78	27	1	UK 316	FS 316	HE2316 H 2316	15.1 15.1
UKFS 317 317		75	10 ^{1/4} 260	8 ^{21/32} 220	8 ^{1/32} 204	1 ^{7/32} 31	1 ^{1/16} 27	15/16 24	25/32 20	2 ^{1/8} 54	2.8346 72	3.2283 82	27	1	UK 317	FS 317	H 2317 HE2317	17.3 17.3
UKFS 318		80	11 ^{1/32} 280	9 ^{7/16} 240	8 ^{1/2} 216	1 ^{3/8} 35	1 ^{3/8} 30	15/16 24	25/32 20	2 ^{1/32} 56	2.8937 73.5	3.3858 86	30	1 ^{1/8}	UK 318	FS 318	H 2318	21.3 21.3
UKFS 319 319	3 ^{1/4}	85	11 ^{13/32} 290	9 ^{27/32} 250	8 ^{31/32} 228	1 ^{3/8} 35	1 ^{3/8} 30	1 ^{17/32} 39	25/32 20	2 ^{29/32} 74	3.5827 91	3.5433 90	30	1 ^{1/8}	UK 319	FS 319	HE2319 H 2319	24.5 24.5
UKFS 320 320	3 ^{1/2}	90	12 ^{7/32} 310	10 ^{1/4} 260	9 ^{17/32} 242	1 ^{1/2} 38	1 ^{1/4} 32	1 ^{17/32} 39	25/32 20	2 ^{29/32} 74	3.7007 94	3.8189 97	33	1 ^{1/4}	UK 320	FS 320	HE2320 H 2320	29.5 29.5
UKFS 322 322		100	13 ^{3/8} 340	11 ^{13/16} 300	10 ^{15/32} 266	1 ^{39/64} 41	1 ^{3/8} 35	1 ^{3/8} 35	63/64 25	2 ^{25/32} 71	3.7795 96	4.1339 105	36	1 ^{3/8}	UK 322	FS 322	HE2322 HE2322	39 39
UKFS 324 324		110	14 ^{9/16} 370	13 330	11 ^{27/64} 290	1 ^{39/64} 41	1 ^{9/16} 40	1 ^{3/8} 35	1 ^{3/16} 30	3 ^{5/32} 80	3.9370 100	4.4094 112	36	1 ^{3/8}	UK 324	FS 324	H 2324 HA2324	50.6 50.6
UKFS 326 326	4 ^{1/2}	115	16 ^{5/32} 410	14 ^{3/16} 360	12 ^{19/32} 320	1 ^{39/64} 41	1 ^{25/32} 45	1 ^{3/8} 35	1 ^{3/16} 30	3 ^{11/32} 85	4.0944 104	4.7638 121	36	1 ^{3/8}	UK 326	FS 326	HE2326 H 2326	67.7 67.7
UKFS 328 328		125	17 ^{23/32} 450	15 ^{3/4} 400	13 ^{25/32} 350	1 ^{39/64} 41	2 ^{5/32} 55	1 ^{49/64} 45	1 ^{3/16} 30	3 ^{3/4} 95	4.6456 118	5.1575 131	36	1 ^{3/8}	UK 328	FS 328	HE2328 H 2328	24.5 24.5

OVAL FLANGE TYPE UNITS

UCFL2

(Cylindrical bore)

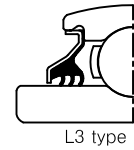
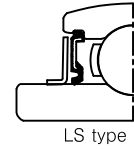
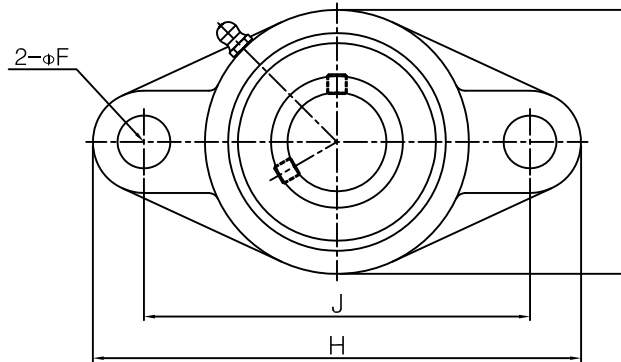
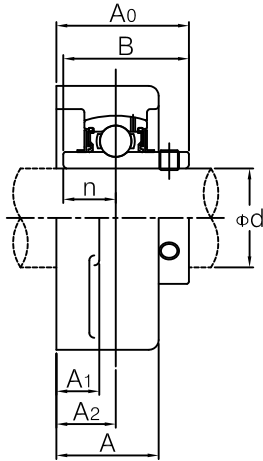


Unit No.	Shaft Dia.		Dimensions (in. (mm))										Bolt used		Bearing No.	Housing No.	Weight (kgf)	
	d	(mm)	H	L	A	J	F	A ₁	A ₂	A ₀	B	n						
													(mm)	(in.)				
UCFL 201	1/2	12														UC 201		0.50
201-8																201-8		0.50
202		15	3 ^{57/64}	2 ^{1/4}	1	3	29/64	7/16	19/32	1 ^{5/16}	1.2205	0.5000	10	3/8	202	FL 203	0.48	
202-10	5/8		99	57	25.5	76.2	11.5	11	15	33.3	31	12.7			202-10		0.48	
203		17													203		0.47	
203-11	11/16														203-11		0.47	
UCFL 204-12	3/4	20	4 ^{7/16}	2 ^{3/8}	1	3 ^{35/64}	15/32	7/16	19/32	1 ^{5/16}	1.2205	0.5000	10	3/8	204-12	FL 204	0.45	
204			113	60	25.5	90	12	11	15	33.3	31	12.7			204		0.45	
UCFL 205-13	13/16														UC 205-13		0.64	
205-14	7/8		5 ^{1/8}	2 ^{11/16}	1 ^{1/16}	3 ^{57/64}	5/8	1/2	5/8	1 ^{13/32}	1.3425	0.5630	14	1/2	205-14	FL 205	0.64	
205-15	15/16		130	68	27	99	16	13	16	35.8	34.1	14.3			205-15		0.64	
205		25													205		0.64	
205-16	1														205-16		0.64	
UCFL 206-17	11/16														UC 206-17		0.93	
206-18	11/8		5 ^{13/16}	3 ^{5/32}	1 ^{7/32}	4 ^{39/64}	5/8	1/2	4 ^{5/64}	1 ^{19/32}	1.5000	0.6260	14	1/2	206-18	FL 206	0.93	
206		30	148	80	31	117	16	13	18	40.2	38.1	15.9			206		0.93	
206-19	13/16														206-19		0.93	
206-20	11/4														206-20		0.93	
UCFL 207-20	11/4														UC 207-20		1.2	
207-21	15/16		6 ^{11/32}	3 ^{17/32}	1 ^{11/32}	5 ^{1/8}	5/8	19/32	3/4	1 ^{3/4}	1.6890	0.6890	14	1/2	207-21	FL 207	1.2	
207-22	13/8		161	90	34	130	16	15	19	44.4	42.9	17.5			207-22		1.2	
207		35													207		1.2	
207-23	17/16														207-23		1.2	
UCFL 208-24	11/2														UC 208-24		1.6	
208-25	19/16		6 ^{7/8}	3 ^{15/16}	1 ^{13/32}	5 ^{43/64}	5/8	19/32	5 ^{3/64}	2 ^{1/32}	1.9370	0.7480	14	1/2	208-25	FL 208	1.6	
208		40	175	100	36	144	16	15	21	51.2	49.2	19			208		1.6	
UCFL 209-26	15/8														UC 209-26		1.9	
209-27	11/16		7 ^{13/32}	4 ^{1/4}	1 ^{1/2}	5 ^{53/64}	3/4	5/8	5 ^{5/64}	2 ^{1/16}	1.9370	0.7480	16	5/8	209-27	FL 209	1.9	
209-28	13/4		188	108	38	148	19	16	22	52.2	49.2	19			209-28		1.9	
209		45													209		1.9	
UCFL 210-29	113/16														UC 210-29		2.2	
210-30	17/8		7 ^{3/4}	4 ^{17/32}	1 ^{9/16}	6 ^{3/16}	3/4	5/8	5 ^{7/64}	2 ^{5/32}	2.0315	0.7480	16	5/8	210-30	FL 210	2.2	
210-31	115/16		197	115	40	157	19	16	22	54.6	51.6	19			210-31		2.2	
210		50													210		2.2	
210-32	2														210-32		2.2	
UCFL 211-31	115/16														UC 211-31		3.3	
211-32	2		8 ^{13/16}	5 ^{1/8}	1 ^{11/16}	7 ^{1/4}	3/4	2 ^{3/32}	6 ^{3/64}	2 ^{5/16}	2.1890	0.8740	16	5/8	211-32	FL 211	3.3	
211-34	21/8		224	130	43	184	19	18	25	58.4	55.6	22.2			211-34		3.3	
211		55													211		3.3	
211-35	23/16														211-35		3.3	
UCFL 212-36	21/4														UC 212-36		4.2	
212-37	25/16		9 ^{27/32}	5 ^{1/2}	1 ^{7/8}	7 ^{61/64}	29/32	2 ^{3/32}	1 ^{9/64}	2 ^{23/32}	2.5630	1.0000	20	3/4	212	FL 212	4.2	
212		60	250	140	48	202	23	18	29	68.7	65.1	25.4			212-37		4.2	
212-38	23/8														212-38		4.2	
212-39	27/16														212-39		4.2	
UCFL 213-40	21/2		10 ^{5/32}	6 ^{3/32}	1 ^{31/32}	8 ^{17/64}	29/32	7/8	1 ^{3/16}	2 ^{3/4}	2.5630	1.0000	20	3/4	UC 213-40	FL 213	5.1	
213		65	258	155	50	210	23	22	30	69.7	65.1	25.4			213		5.1	
UCFL 214-43	211/16		10 ^{7/16}	6 ^{5/16}	2 ^{1/8}	8 ^{1/2}	29/32	7/8	1 ^{7/32}	2 ^{31/32}	2.9370	1.1890	20	3/4	UC 214-43	FL 214	5.7	
214-44	23/4		265	160	54	216	23	22	31	75.4	74.6	30.2			214-44		5.7	
214		70													214		5.7	
UCFL 215-46	27/8														UC 215-46		6.4	
215-47	215/16		10 ^{13/16}	6 ^{1/2}	2 ^{7/32}	8 ^{55/64}	29/32	7/8	1 ^{11/32}	3 ^{3/32}	3.0630	1.3110	20	3/4	215-47	FL 215	6.4	
215		75	275	165	56	225	23	22	34	78.5	77.8	33.3			215		6.4	
215-48	3														215-48		6.4	
UCFL 216		80	11 ^{13/32}	7 ^{3/32}	2 ^{9/32}	9 ^{11/64}	6 ^{3/64}	7/8	1 ^{11/32}	3 ^{9/32}	3.2520	1.3110	22	7/8	UC 216	FL 216	7.8	
			290	180	58	233	25	22	34	83.3	82.6	33.3						
UCFL 217-52	31/4		12	7 ^{15/32}	2 ^{15/32}	9 ^{49/64}	6 ^{3/64}	15/16	1 ^{27/64}	3 ^{7/16}	3.3740	1.3425	22	7/8	UC 217-52	FL 217	9.8	
217		85	305	190	63	248	25	24	36	87.6	85.7	34.1			217		9.8	
UCFL 218-56	31/2		12 ^{19/32}	8 ^{1/16}	2 ^{11/16}	10 ^{7/16}	6 ^{3/64}	15/16	1 ^{37/64}	3 ^{25/32}	3.7795	1.5630	22	7/8	UC 218-56	FL 218	12.3	
218		90	320	205	68	265	25	24	40	96.3	96	39.7			218		12.3	

OVAL FLANGE TYPE UNITS

UCFLX

(Cylindrical bore)

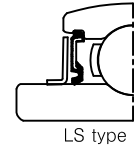
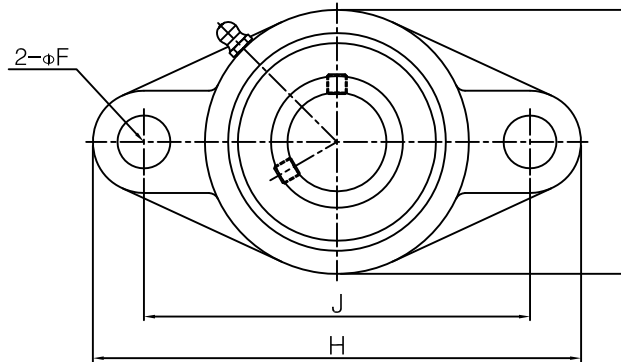
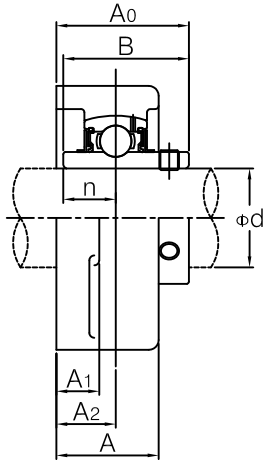


Unit No.	Shaft Dia.		Dimensions (in./mm)										Bolt used		Bearing No.	Housing No.	Weight (kgf)
	d		H	L	A	J	F	A ₁	A ₂	A ₀	B	n	(mm)	(In.)			
	(In.)	(mm)															
UCFL X05-13 X05-14 X05-15 X05 X05-16	13/16 7/8 15/16 1	25	59/16 141	39/32 83	13/16 30	439/64 117	15/32 12	1/2 13	45/64 18	119/32 40.2	1.5000 38.1	0.6260 15.9	10	3/8	UC X05-13 X05-14 X05-15 X05 X05-16	FL X05	1.1 1.1 1.1 1.1 1.1
UCFL X06-17 X06-18 X06 X06-19 X06-20	11/16 11/8 13/16 11/4	30	65/32 156	33/4 95	111/32 34	51/8 130	5/8 16	19/32 15	3/4 19	13/4 44.4	1.6890 42.9	0.6890 17.5	14	1/2	UC X06-17 X06-18 X06 X06-19 X06-20	FL X06	1.5 1.5 1.5 1.5 1.5
UCFL X07-20 X07-21 X07-22 X07 X07-23	11/4 15/16 13/8 17/16	35	623/32 171	41/8 105	11/2 38	543/64 144	5/8 16	5/8 16	53/64 21	21/32 51.2	1.9370 49.2	0.7480 19	14	1/2	UC X07-20 X07-21 X07-22 X07 X07-23	FL X07	1.9 1.9 1.9 1.9 1.9
UCFL X08-24 X08-25 X08	11/2 19/16	40	71/16 179	43/8 111	19/16 40	553/64 148	5/8 16	5/8 16	55/64 22	21/16 52.2	1.9370 49.2	0.7480 19	14	1/2	UC X08-24 X08-25 X08	FL X08	2.1 2.1 2.1
UCFL X09-26 X09-27 X09-28 X09	15/8 111/16 13/4	45	77/16 189	49/16 116	19/16 40	63/16 157	5/8 16	5/8 16	29/32 23	23/16 55.6	2.0315 51.6	0.7480 19	14	1/2	UC X09-26 X09-27 X09-28 X09	FL X09	2.4 2.4 2.4 2.4
UCFL X10-30 X10-31 X10 X10-32	17/8 115/16 2	50	81/2 216	51/4 133	123/32 44	71/4 184	3/4 19	45/64 18	11/32 26	211/32 59.4	2.1890 55.6	0.8740 22.2	16	5/8	UC X10-30 X10-31 X10 X10-32	FL X10	3.8 3.8 3.8 3.8

OVAL FLANGE TYPE UNITS

UCFL3

(Cylindrical bore)

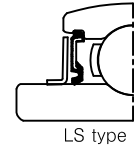
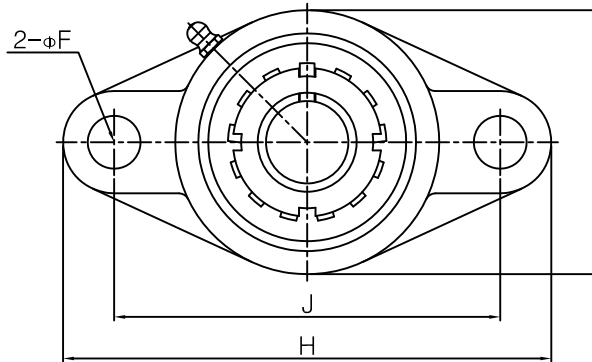
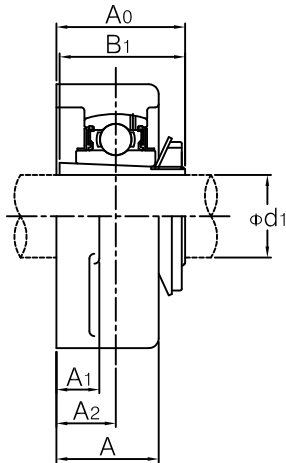


Unit No.	Shaft Dia.		Dimensions (in.) (mm)										Bolt used		Bearing No.	Housing No.	Weight (kgf)
	d		H	L	A	J	F	A ₁	A ₂	A ₀	B	n	(mm)	(in.)			
	(in.)	(mm)															
UCFL 305 305-16	1	25	5 ²⁹ / ₃₂ 150	3 ⁵ / ₃₂ 80	1 ⁵ / ₃₂ 29	4 ²⁹ / ₆₄ 113	3/4 19	1/2 13	5/8 16	1 ¹⁷ / ₃₂ 39	1.4961 38	0.5906 15	16	5/8	UC 305 305-16	FL 305	1.1 1.1
UCFL 306-18 306	1 1/8	30	7 ³ / ₃₂ 180	3 ¹⁷ / ₃₂ 90	1 1/4 32	5 ⁹ / ₃₂ 134	29/32 23	19/32 15	45/64 18	1 ²³ / ₃₂ 44	1.6929 43	0.6693 17	20	3/4	UC 306-18 306	FL 306	1.5 1.5
UCFL 307-20 307-22 307 307-23	1 1/4 1 3/8 1 7/16	35	7 ⁹ / ₃₂ 185	3 ¹⁵ / ₁₆ 100	1 ¹³ / ₃₂ 36	5 ³⁵ / ₆₄ 141	29/32 23	5/8 16	25/32 20	1 ¹⁵ / ₁₆ 49	1.8897 48	0.7480 19	20	3/4	UC 307-20 307-22 307 307-23	FL 307	1.8 1.8 1.8 1.8
UCFL 308-24 308	1 1/2	40	7 ⁷ / ₈ 200	4 ¹³ / ₃₂ 112	1 ⁹ / ₁₆ 40	6 ⁷ / ₃₂ 158	29/32 23	21/32 17	29/32 23	2 ⁷ / ₃₂ 56	2.0472 52	0.7480 19	20	3/4	UC 308-24 308	FL 308	2.5 2.5
UCFL 309-28 309	1 3/4	45	9 ¹ / ₁₆ 230	4 ²⁹ / ₃₂ 125	1 ²³ / ₃₂ 44	6 ³¹ / ₃₂ 177	63/64 25	23/32 18	63/64 25	2 ³ / ₈ 60	2.2441 57	0.8661 22	22	7/8	UC 309-28 309	FL 309	3.5 3.5
UCFL 310-31 310	1 15/16	50	9 ⁷ / ₁₆ 240	5 ¹ / ₂ 140	1 ⁷ / ₈ 48	7 ²³ / ₆₄ 187	63/64 25	3/4 19	1 ⁷ / ₆₄ 28	2 ⁵ / ₈ 67	2.4015 61	0.8861 22	22	7/8	UC 310-31 310	FL 310	4.4 4.4
UCFL 311-32 311	2	55	9 ²⁷ / ₃₂ 250	5 ²⁹ / ₃₂ 150	2 ¹ / ₁₆ 52	7 ⁵³ / ₆₄ 198	63/64 25	25/32 20	1 ³ / ₁₆ 30	2 ²⁵ / ₃₂ 71	2.5984 66	0.9842 25	22	7/8	UC 311-32 311	FL 311	5.3 5.3
UCFL 312		60	10 ⁵ / ₈ 270	6 ⁵ / ₁₆ 160	2 ⁷ / ₃₂ 56	8 ¹¹ / ₃₂ 212	1 ⁷ / ₃₂ 31	7/8 22	1 ¹⁹ / ₆₄ 33	3 ¹ / ₁₆ 78	2.7953 71	1.0236 26	27	1	UC 312	FL 312	6.5
UCFL 313-40 313	2 1/2	65	11 ⁵ / ₈ 295	6 ⁷ / ₈ 175	2 ⁹ / ₃₂ 58	9 ²⁹ / ₆₄ 240	1 ⁷ / ₃₂ 31	63/64 25	1 ¹⁹ / ₆₄ 33	3 ¹ / ₁₆ 78	2.9528 75	1.1811 30	27	1	UC 313-40 313	FL 313	8.5 8.5
UCFL 314-44 314	2 3/4	70	12 ¹³ / ₃₂ 315	7 ⁹ / ₃₂ 185	2 ¹³ / ₃₂ 61	9 ²⁷ / ₃₂ 250	1 ³ / ₈ 35	1 ³ / ₃₂ 28	1 ²⁷ / ₆₄ 36	3 ³ / ₁₆ 81	3.0709 78	1.2992 33	30	1 1/8	UC 314-44 314	FL 314	9.7 9.7
UCFL 315 315-48	3	75	12 ¹⁹ / ₃₂ 320	7 ¹¹ / ₁₆ 195	2 ¹⁹ / ₃₂ 66	10 ¹⁵ / ₆₄ 260	1 ³ / ₈ 35	1 ³ / ₁₆ 30	1 ¹⁷ / ₃₂ 39	3 ¹ / ₂ 89	3.2283 82	1.2598 32	30	1 1/8	UC 315 315-48	FL 315	11.3 11.3
UCFL 316		80	13 ³¹ / ₃₂ 355	8 ⁹ / ₃₂ 210	2 ¹¹ / ₁₆ 68	11 ⁷ / ₃₂ 285	1 1/2 38	1 1/4 32	1 1/2 38	3 ¹⁷ / ₃₂ 90	3.3858 86	1.3386 34	33	1 1/4	UC 316	FL 316	14.4
UCFL 317		85	14 ⁹ / ₁₆ 370	8 ²¹ / ₃₂ 220	2 ²⁹ / ₃₂ 74	11 ¹³ / ₁₆ 300	1 1/2 38	1 1/4 32	1 ⁴⁷ / ₆₄ 44	3 ¹⁵ / ₁₆ 100	3.7795 96	1.5748 40	33	1 1/4	UC 317	FL 317	16.0
UCFL 318-56 318	3 1/2	90	15 ⁵ / ₃₂ 385	9 ¹ / ₄ 235	3 76	12 ¹³ / ₃₂ 315	1 1/2 38	1 ¹³ / ₃₂ 36	1 ⁴⁷ / ₆₄ 44	3 ¹⁵ / ₁₆ 100	3.7795 96	1.5748 40	33	1 1/4	UC 318-56 318	FL 318	19.0 19.0
UCFL 319		95	15 ¹⁵ / ₁₆ 405	9 ²⁷ / ₃₂ 250	3 ¹¹ / ₁₆ 94	13 330	1 ³⁹ / ₆₄ 41	1 ⁹ / ₁₆ 40	2 ²¹ / ₆₄ 59	4 ³ / ₄ 121	4.0551 103	1.6142 41	36	1 3/8	UC 319	FL 319	29.4
UCFL 320 320-64	4	100	17 ⁵ / ₁₆ 440	10 ⁵ / ₈ 270	3 ¹¹ / ₁₆ 94	14 ¹¹ / ₆₄ 360	1 ⁴⁷ / ₆₄ 44	1 ⁹ / ₁₆ 40	2 ²¹ / ₆₄ 59	4 ²⁹ / ₃₂ 125	4.2519 108	1.6535 42	39	1 1/2	UC 320 320-64	FL 320	29.4 29.4
UCFL 321		105	17 ⁵ / ₁₆ 440	10 ⁵ / ₈ 270	3 ¹¹ / ₁₆ 94	14 ³ / ₃₂ 360	1 ⁴⁷ / ₆₄ 44	1 ⁹ / ₁₆ 40	2 ⁵ / ₁₆ 59	5 127	4.4094 112	1.7323 44	39	1 1/2	UC 321	FL 321	30.2
UCFL 322		110	18 ¹ / ₂ 470	11 ¹³ / ₁₆ 300	3 ²⁵ / ₃₂ 96	15 ²³ / ₆₄ 390	1 ⁴⁷ / ₆₄ 44	1 ²¹ / ₃₂ 42	2 ²³ / ₆₄ 60	5 ⁵ / ₃₂ 131	4.6063 117	1.8110 46	39	1 1/2	UC 322	FL 322	36.2
UCFL 324		120	20 ¹⁵ / ₃₂ 520	13 330	4 ¹¹ / ₃₂ 110	16 ⁵⁹ / ₆₄ 430	1 ²⁷ / ₃₂ 47	1 ⁷ / ₈ 48	2 ⁹ / ₁₆ 65	5 ¹ / ₂ 140	4.9606 126	2.0079 51	42	1 5/8	UC 324	FL 324	51.6
UCFL 326 326-82	5 1/8	130	21 ²¹ / ₃₂ 550	14 ³ / ₁₆ 360	4 ¹⁷ / ₃₂ 115	18 ⁷ / ₆₄ 460	1 ²⁷ / ₃₂ 47	1 ³¹ / ₃₂ 50	2 ⁹ / ₁₆ 65	5 ³ / ₄ 146	5.3150 135	2.1260 54	42	1 5/8	UC 326 326-82	FL 326	61.6 61.6
UCFL 328 328-88	5 1/2	140	23 ⁵ / ₈ 600	15 ³ / ₄ 400	4 ²⁹ / ₃₂ 125	19 ¹¹ / ₁₆ 500	2 51	2 ³ / ₈ 60	2 ⁶¹ / ₆₄ 75	6 ¹¹ / ₃₂ 161	5.7086 145	2.3228 59	45	1 3/4	UC 328 328-88	FL 328	68.4 68.4

OVAL FLANGE TYPE UNITS

UKFL2

(Tapered bore)

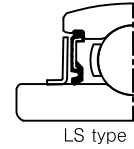
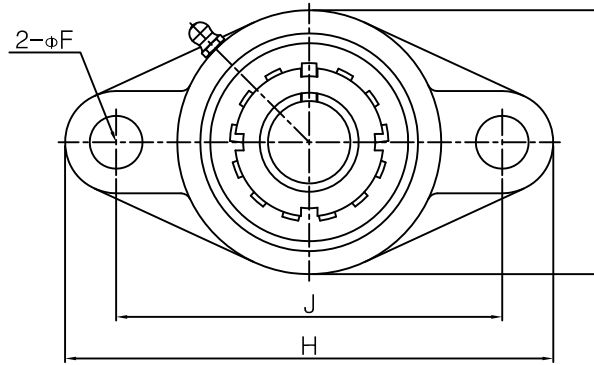
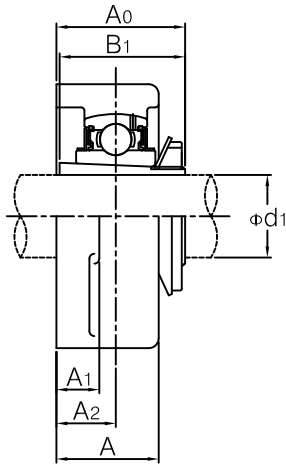


Unit No.	Shaft Dia.		Dimensions (in./mm)											Bolt used		Bearing No.	Housing No.	Adapter used	Weight (kgf)
	d1		H	L	A	J	F	A1	A2	A0	B1	(mm)	(in.)						
	(in.)	(mm)																	
UKFL 205 205	3/4	20	5 1/8 130	2 11/16 68	1 1/16 27	3 57/64 99	5/8 16	1/2 13	5/8 16	1 25/64 35.5	1 3/8 35	14	1/2	UK 205	FL 205	HE2305 H 2305	0.68 0.68		
UKFL 206 206 206 206	7/8 15/16 1	25	5 13/16 148	3 5/32 80	1 7/32 31	4 39/64 117	5/8 16	1/2 13	45/64 18	1 17/32 39	1 1/2 38	14	1/2	UK 206	FL 206	HS2306 HA2306 H 2306 HE2306	0.97 0.97 0.97 0.97		
UKFL 207 207 207	1 1/8 13/16	30	6 11/32 161	3 17/32 90	1 11/32 34	5 1/8 130	5/8 16	19/32 15	3/4 19	1 41/64 41.5	1 11/16 43	14	1/2	UK 207	FL 207	HS2307 H 2307 HA2307	1.3 1.3 1.3		
UKFL 208 208 208	1 1/4 13/8 35	35	6 7/8 175	3 15/16 100	1 13/32 36	5 43/64 144	5/8 16	19/32 15	53/64 21	1 51/64 45.5	1 13/16 46	14	1/2	UK 208	FL 208	HE2308 HS2308 H 2308	1.6 1.6 1.6		
UKFL 209 209 209 209	1 7/16 1 1/2 15/8	40	7 13/32 188	4 1/4 108	1 1/2 38	5 53/64 148	3/4 19	5/8 16	55/64 22	1 57/64 48	1 31/32 50	16	5/8	UK 209	FL 209	HA2309 HE2309 H 2309 HS2309	2.0 2.0 2.0 2.0		
UKFL 210 210 210	1 11/16 1 3/4 45	45	7 3/4 197	4 17/32 115	1 9/16 40	6 3/16 157	3/4 19	5/8 16	55/64 22	1 61/64 49.5	2 5/32 55	16	5/8	UK 210	FL 210	HA2310 HE2310 H 2310	2.3 2.3 2.3		
UKFL 211 211 211 211	1 7/8 1 5/16 2	50	8 13/16 224	5 1/8 130	1 11/16 43	7 1/4 184	3/4 19	23/32 18	63/64 25	2 1/8 53.5	2 5/16 59	16	5/8	UK 211	FL 211	HS2311 HA2311 H 2311 HE2311	3.3 3.3 3.3 3.3		
UKFL 212 212	2 1/8 55	55	9 27/32 250	5 1/2 140	1 7/8 48	7 61/64 202	29/32 23	23/32 18	1 9/64 29	2 23/64 60	2 7/16 62	20	3/4	UK 212	FL 212	HS2312 H 2312	4.1 4.1		
UKFL 213 213 213 213	2 3/16 2 1/4 2 3/8	60	10 5/32 258	6 3/32 155	1 31/32 50	8 17/64 210	29/32 23	7/8 22	1 3/16 30	2 31/64 63	2 9/16 65	20	3/4	UK 213	FL 213	HA2313 HE2313 H 2313 HS2313	5.0 5.0 5.0 5.0		
UKFL 215 215 215	2 7/16 2 1/2 65	65	10 13/16 275	6 1/2 165	2 7/32 56	8 55/64 225	29/32 23	7/8 22	1 11/32 34	2 47/64 69.5	2 7/8 73	20	3/4	UK 215	FL 215	HA2315 HE2315 H 2315	6.6 6.6 6.6		
UKFL 216 216 216	2 11/16 2 3/4 70	70	11 13/32 290	7 3/32 180	2 9/32 58	9 11/64 233	63/64 25	7/8 22	1 11/32 34	2 7/8 73	3 1/16 78	22	7/8	UK 216	FL 216	HA2316 HE2316 H 2316	8.1 8.1 8.1		
UKFL 217 217 217	2 15/16 3	75	12 305	7 15/32 190	2 15/32 63	9 49/64 248	63/64 25	15/16 24	1 27/64 36	3 1/32 77	3 7/32 82	22	7/8	UK 217	FL 217	HA2317 H 2317 HE2317	9.9 9.9 9.9		
UKFL 218	80	80	12 19/32 320	8 1/16 205	2 11/16 68	10 7/16 265	63/64 25	15/16 24	1 37/64 40	3 1/4 82.5	3 3/8 86	22	7/8	UK 218	FL 218	H 2318	12.2		

OVAL FLANGE TYPE UNITS

UKFLX

(Tapered bore)

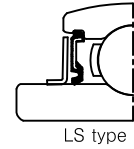
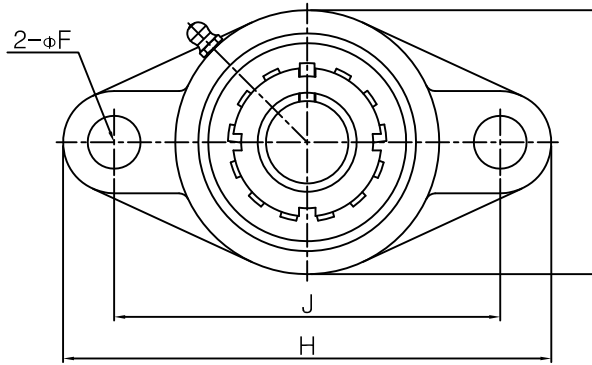
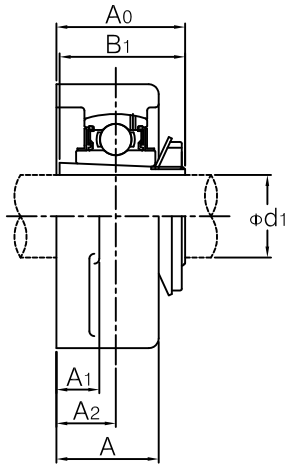


Unit No.	Shaft Dia.		Dimensions (in./mm)										Bolt used		Bearing No.	Housing No.	Adapter used	Weight (kgf)
	d1		H	L	A	J	F	A ₁	A ₂	A ₀	B ₁	(mm)	(in.)					
	(in.)	(mm)																
UKFL X05 X05	3/4	20	59/16 141	39/32 83	13/16 30	439/64 117	15/32 12	1/2 13	45/64 18	117/32 39	13/8 35	10	3/8	UK X05	FL X05	HE2305 H 2305	1.0 1.0	
UKFL X06 X06 X06 X06	7/8 15/16 1	25	65/32 156	33/4 95	111/32 34	51/8 130	5/8 16	19/32 15	3/4 19	119/32 40.5	11/2 38	14	1/2	UK X06	FL X06	HS2306 HA2306 H 2306 HE2306	1.5 1.5 1.5 1.5	
UKFL X07 X07 X07	11/8 13/16	30	623/32 171	41/8 105	11/2 38	543/64 144	5/8 16	5/8 16	53/64 21	13/4 44.5	111/16 43	14	1/2	UK X07	FL X07	HS2307 H 2307 HA2307	1.8 1.8 1.8	
UKFL X08 X08 X08	11/4 13/8	35	71/16 179	43/8 111	19/16 40	553/64 148	5/8 16	5/8 16	55/64 22	127/32 47	113/16 46	14	1/2	UK X08	FL X08	HE2308 HS2308 H 2308	2.1 2.1 2.1	
UKFL X09 X09 X09 X09	17/16 11/2 15/8	40	77/16 189	49/16 116	19/16 40	63/16 157	5/8 16	5/8 16	29/32 23	161/64 49.5	131/32 50	14	1/2	UK X09	FL X09	HA2309 HE2309 H 2309 HS2309	2.5 2.5 2.5 2.5	
UKFL X10 X10 X10	111/16 13/4	45	81/2 216	51/4 133	123/32 44	71/4 184	3/4 19	45/64 18	11/32 26	29/64 54.5	25/32 55	16	5/8	UK X10	FL X10	HA2310 HE2310 H 2310	3.7 3.7 3.7	

OVAL FLANGE TYPE UNITS

UKFL3

(Tapered bore)

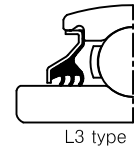
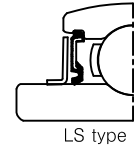
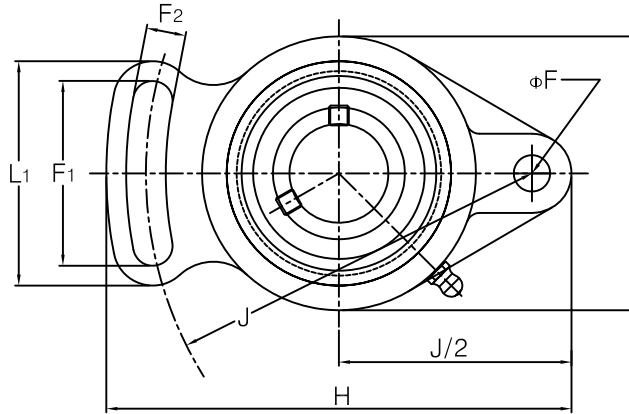
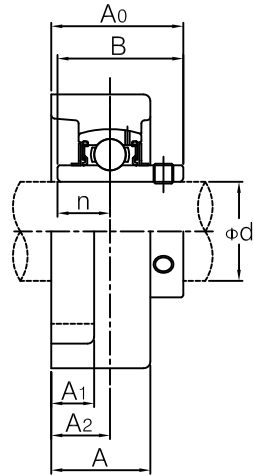


Unit No.	Shaft Dia.		Dimensions (in./mm)										Bolt used		Bearing No.	Housing No.	Adapter used	Weight (kgf)
	d1		H	L	A	J	F	A1	A2	A0	B1	(mm)	(in.)					
	(in.)	(mm)																
UKFL 305 305	3/4	20	5 ²⁹ / ₃₂ 150	3 ⁵ / ₃₂ 80	1 ⁵ / ₃₂ 29	4 ²⁹ / ₆₄ 113	3/4 19	1/2 13	5/8 16	1 ¹⁵ / ₃₂ 37.5	1.3780 35	16	5/8	UK 305	FL 305	HE2305 H 2305	1.1 1.1	
UKFL 306 306 306	7/8 1	25	7 ³ / ₃₂ 180	3 ¹⁷ / ₃₂ 90	1 ¹ / ₄ 32	5 ⁹ / ₃₂ 134	2 ⁹ / ₃₂ 23	1 ⁹ / ₃₂ 15	4 ⁵ / ₆₄ 18	1 ³⁹ / ₆₄ 41	1.4961 38	20	3/4	UK 306	FL 306	HS2306 H 2306 HE2306	1.5 1.5 1.5	
UKFL 307 307 307	1 ¹ / ₈ 1 ³ / ₁₆	30	7 ⁹ / ₃₂ 185	3 ¹⁵ / ₁₆ 100	1 ¹³ / ₃₂ 36	5 ³⁵ / ₆₄ 141	2 ⁹ / ₃₂ 23	5/8 16	2 ⁵ / ₃₂ 20	1 ³ / ₄ 45.5	1.6929 43	20	3/4	UK 307	FL 307	HS2307 H 2307 HA2307	1.8 1.8 1.8	
UKFL 308 308 308	1 ¹ / ₄ 1 ³ / ₈	35	7 ⁷ / ₈ 200	4 ¹³ / ₃₂ 112	1 ⁹ / ₁₆ 40	6 ⁷ / ₃₂ 158	2 ⁹ / ₃₂ 23	2 ¹ / ₃₂ 17	2 ⁹ / ₃₂ 23	1 ⁶³ / ₆₄ 50.5	1.8110 46	20	3/4	UK 308	FL 308	HE2308 HS2308 H 2308	2.5 2.5 2.5	
UKFL 309 309 309	1 ¹ / ₂ 1 ⁵ / ₈	40	9 ¹ / ₁₆ 230	4 ²⁹ / ₃₂ 125	1 ²³ / ₃₂ 44	6 ³¹ / ₃₂ 177	6 ³ / ₆₄ 25	2 ³ / ₃₂ 18	6 ³ / ₆₄ 25	2 ¹¹ / ₆₄ 55	1.9685 50	22	7/8	UK 309	FL 309	HE2309 H 2309 HS2309	3.5 3.5 3.5	
UKFL 310 310 310	1 ¹¹ / ₁₆ 1 ³ / ₄	45	9 ⁷ / ₁₆ 240	5 ¹ / ₂ 140	1 ⁷ / ₈ 48	7 ²³ / ₆₄ 187	6 ³ / ₆₄ 25	3/4 19	1 ⁷ / ₆₄ 28	2 ²³ / ₆₄ 60	2.1654 55	22	7/8	UK 310	FL 310	HA2310 HE2310 H 2310	4.4 4.4 4.4	
UKFL 311 311 311	1 ⁷ / ₈ 2	50	9 ²⁷ / ₃₂ 250	5 ²⁹ / ₃₂ 150	2 ¹ / ₁₆ 52	7 ⁵¹ / ₆₄ 198	6 ³ / ₆₄ 25	2 ⁵ / ₃₂ 20	1 ³ / ₁₆ 30	2 ¹ / ₂ 63.5	2.3228 59	22	7/8	UK 311	FL 311	HS2311 H 2311 HE2311	5.3 5.3 5.3	
UKFL 312 312	2 ¹ / ₈	55	10 ⁵ / ₈ 270	6 ⁵ / ₁₆ 160	2 ⁷ / ₃₂ 56	8 ¹¹ / ₃₂ 212	1 ⁷ / ₃₂ 31	7/8 22	1 ¹⁹ / ₆₄ 33	2 ²³ / ₃₂ 69	2.4409 62	27	1	UK 312	FL 312	HS2312 H 2312	6.5 6.5	
UKFL 313 313 313	2 ¹ / ₄ 2 ³ / ₈	60	11 ⁵ / ₈ 295	6 ⁷ / ₈ 175	2 ⁹ / ₃₂ 58	9 ²⁹ / ₆₄ 240	1 ⁷ / ₃₂ 31	6 ³ / ₆₄ 25	1 ¹⁹ / ₆₄ 33	2 ⁵ / ₁₆ 71	2.5591 65	27	1	UK 313	FL 313	HE2313 H 2313 HS2313	8.5 8.5 8.5	
UKFL 315 315	2 ¹ / ₂	65	12 ¹⁹ / ₃₂ 320	7 ¹¹ / ₁₆ 195	2 ¹⁹ / ₃₂ 66	10 ¹⁵ / ₆₄ 260	1 ³ / ₈ 35	1 ³ / ₁₆ 30	1 ¹⁷ / ₃₂ 39	3 ³ / ₁₆ 81	2.8740 73	30	1 ¹ / ₈	UK 315	FL 315	HE2315 H 2315	11.3 11.3	
UKFL 316 316 316	2 ³ / ₄	70	13 ³¹ / ₃₂ 355	8 ⁹ / ₃₂ 210	2 ¹¹ / ₁₆ 68	11 ⁷ / ₃₂ 285	1 ¹ / ₂ 38	1 ¹ / ₄ 32	1 ¹ / ₂ 38	3 ⁹ / ₃₂ 83.5	3.0709 78	33	1 ¹ / ₄	UK 316	FL 316	HE2316 H 2316	14.4 14.4	
UKFL 317 317	3	75	14 ⁹ / ₁₆ 370	8 ²¹ / ₃₂ 220	2 ²⁹ / ₃₂ 74	11 ¹³ / ₁₆ 300	1 ¹ / ₂ 38	1 ¹ / ₄ 32	1 ⁴⁷ / ₆₄ 44	3 ⁵ / ₈ 92	3.2283 82	33	1 ¹ / ₄	UK 317	FL 317	H 2317 HE2317	16.0 16.0	
UKFL 318		80	15 ⁵ / ₃₂ 385	9 ¹ / ₄ 235	3 76	12 ¹³ / ₃₂ 315	1 ¹ / ₂ 38	1 ¹³ / ₃₂ 36	1 ⁴⁷ / ₆₄ 44	3 ¹¹ / ₁₆ 93.5	3.3858 86	33	1 ¹ / ₄	UK 318	FL 318	H 2318	19.0	
UKFL 319 319	3 ¹ / ₄	85	15 ¹⁵ / ₁₆ 405	9 ²⁷ / ₃₂ 250	3 ¹¹ / ₁₆ 94	13 330	1 ³⁹ / ₆₄ 41	1 ⁹ / ₁₆ 40	2 ²¹ / ₆₄ 59	4 ³ / ₈ 111	3.5433 90	36	1 ³ / ₈	UK 319	FL 319	HE2319 H 2319	24.6 24.6	
UKFL 320 320	3 ¹ / ₂	90	17 ⁵ / ₁₆ 440	10 ⁵ / ₈ 270	3 ¹¹ / ₁₆ 94	14 ¹¹ / ₆₄ 360	1 ⁴⁷ / ₆₄ 44	1 ⁹ / ₁₆ 40	2 ²¹ / ₆₄ 59	4 ³¹ / ₆₄ 114	3.8189 97	39	1 ¹ / ₂	UK 320	FL 320	HE2320 H 2320	29.4 29.4	
UKFL 322 322	4	100	18 ¹ / ₂ 470	11 ¹³ / ₁₆ 300	3 ²⁵ / ₃₂ 96	15 ²³ / ₆₄ 390	1 ⁴⁷ / ₆₄ 44	1 ²¹ / ₃₂ 42	2 ²³ / ₆₄ 60	4 ⁴⁹ / ₆₄ 121	4.1339 105	39	1 ¹ / ₂	UK 322	FL 322	H 2322 HE2322	36.2 36.2	
UKFL 324 324	4 ⁷ / ₁₆	110	20 ¹⁵ / ₃₂ 520	13 330	4 ¹¹ / ₃₂ 110	16 ⁵⁹ / ₆₄ 430	1 ²⁷ / ₃₂ 47	1 ⁷ / ₈ 48	2 ⁹ / ₁₆ 65	5 ¹ / ₈ 130	4.4094 112	42	1 ⁵ / ₈	UK 324	FL 324	H 2324 HA2324	51.6 51.6	
UKFL 326 326	4 ¹ / ₂	115	21 ²¹ / ₃₂ 550	14 ³ / ₁₆ 360	4 ¹⁷ / ₃₂ 115	18 ⁷ / ₆₄ 460	1 ²⁷ / ₃₂ 47	1 ³¹ / ₃₂ 50	2 ⁹ / ₁₆ 65	5 ⁹ / ₃₂ 134	4.7638 121	42	1 ⁵ / ₈	UK 326	FL 326	HE2326 H 2326	61.6 61.6	
UKFL 328 328	4 ¹⁵ / ₁₆	125	23 ⁵ / ₈ 600	15 ³ / ₄ 400	4 ²⁹ / ₃₂ 125	19 ¹¹ / ₁₆ 500	2 51	2 ³ / ₈ 60	2 ⁶¹ / ₆₄ 75	5 ⁵³ / ₆₄ 148	5.1575 131	45	1 ³ / ₄	UK 328	FL 328	HE2328 H 2328	68.4 68.4	

OVAL FLANGE A TYPE UNITS

UCFA2

(Cylindrical bore)

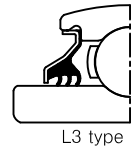
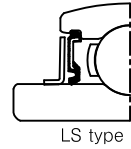
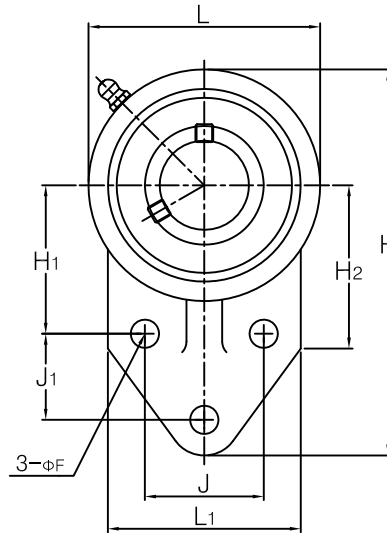
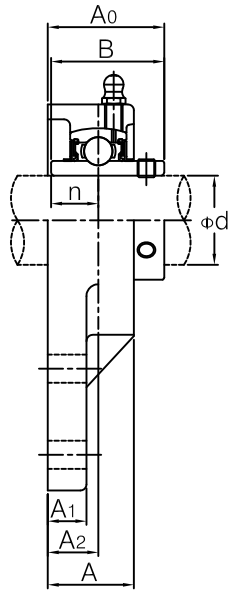


Unit No.	Shaft Dia.		Dimensions (in./mm)													Bolt used		Bearing No.	Housing No.	Weight (kgf)
	d		H	L	A	J	F	F ₁	F ₂	A ₁	A ₂	A ₀	B	n	(mm)	(in.)				
	(in.)	(mm)																		
UCFA 201		12															UC 201		0.47	
201-8	1/2	15															201-8		0.47	
202																	202		0.45	
202-10	5/8	17	3 ²⁷ / ₃₂	2 ³ / ₈	1	3 ⁵ / ₆₄	2 ⁵ / ₆₄	1 ⁹ / ₁₆	2 ⁵ / ₆₄	1 ⁵ / ₃₂	1 ⁹ / ₃₂	1 ⁵ / ₁₆	1.2205	0.5000	10	3/8	202-10	FA 204	0.45	
203			98	60	25.4	78	10	40	10	12	15	33.3	31	12.7			203		0.44	
203-11	11/16																203-11		0.44	
204-12	3/4																204-12		0.42	
204		20															204		0.42	
UCFA 205-13	13/16																UC 205-13		0.68	
205-14	7/8		4 ⁷ / ₈	2 ³ / ₄	1 ¹ / ₁₆	3 ²⁵ / ₃₂	1 ¹ / ₂	1 ¹⁵ / ₁₆	1 ¹ / ₂	1 ¹ / ₂	5/8	1 ¹³ / ₃₂	1.3425	0.5630	10	3/8	205-14		0.68	
205-15	15/16	25	124	70	27	96	13	49	13	13	16	35.8	34.1	14.3			205-15	FA 205	0.68	
205																	205		0.68	
205-16	1																205-16		0.68	
UCFA 206-17	1 ¹ / ₁₆																UC 206-17		1.0	
206-18	1 ¹ / ₈		5 ²¹ / ₃₂	3 ¹ / ₈	1 ⁷ / ₃₂	4 ³⁹ / ₆₄	3 ⁵ / ₆₄	2 ³ / ₁₆	3 ⁵ / ₆₄	3 ⁵ / ₆₄	4 ⁵ / ₆₄	1 ³⁷ / ₆₄	1.5000	0.6260	10	3/8	206-18		1.0	
206		30	144	79	31	117	13	56	14	14	18	40.2	38.1	15.9			206	FA 206	1.0	
206-19	1 ³ / ₁₆																206-19		1.0	
206-20	1 ¹ / ₄																206-20		1.0	
UCFA 207-20	1 ¹ / ₄																UC 207-20		1.5	
207-21	1 ⁵ / ₁₆		6 ⁵ / ₁₆	3 ¹⁵ / ₃₂	1 ¹¹ / ₃₂	5 ¹ / ₈	1 ⁹ / ₃₂	2 ⁹ / ₁₆	1 ⁹ / ₃₂	5/8	3/4	1 ³ / ₄	1.6890	0.6890	12	7/16	207-21		1.5	
207-22	1 ³ / ₈	35	160	88	34	130	15	65	15	16	19	44.4	42.9	17.5			207-22	FA 207	1.5	
207																	207		1.5	
207-23	1 ⁷ / ₁₆																207-23		1.5	
UCFA 208-24	1 ¹ / ₂		6 ²⁷ / ₃₂	3 ²⁹ / ₃₂	1 ¹³ / ₃₂	5 ¹⁹ / ₃₂	1 ⁹ / ₃₂	2 ²³ / ₃₂	1 ⁹ / ₃₂	5/8	1 ³ / ₁₆	2 ¹ / ₆₄	1.9370	0.7480	12	7/16	UC 208-24		1.9	
208-25	1 ⁹ / ₁₆	40	174	99	36	142	15	69	15	16	21	51.2	49.2	19			208-25	FA 208	1.9	
208																	208		1.9	
UCFA 209-26	1 ⁵ / ₈																UC 209-26		1.7	
209-27	1 ¹¹ / ₁₆		7 ³ / ₃₂	4 ³ / ₈	1 ¹ / ₂	5 ⁵³ / ₆₄	2 ¹ / ₃₂	2 ³ / ₄	2 ¹ / ₃₂	4 ⁵ / ₆₄	7/8	2 ¹ / ₁₆	1.9370	0.7480	14	1/2	209-27		1.7	
209-28	1 ³ / ₄	45	180	111	38	148	17	70	17	18	22	52.2	49.2	19			209-28	FA 209	1.7	
209																	209		1.7	
UCFA 210-29	1 ¹³ / ₁₆																UC 210-29		2.0	
210-30	1 ⁷ / ₈		7 ¹⁵ / ₃₂	4 ⁹ / ₁₆	1 ⁹ / ₁₆	6 ³ / ₁₆	2 ¹ / ₃₂	2 ²⁹ / ₃₂	2 ¹ / ₃₂	4 ⁵ / ₆₄	7/8	2 ⁵ / ₃₂	2.0315	0.7480	14	1/2	210-30		2.0	
210-31	1 ¹⁵ / ₁₆	50	190	116	40	157	17	74	17	18	22	54.6	51.6	19			210-31	FA 210	2.0	
210																	210		2.0	
210-32	2																210-32		2.0	
UCFA 211-31	1 ¹⁵ / ₁₆																UC 211-31		3.6	
211-32	2		8 ¹⁹ / ₃₂	5 ¹ / ₄	1 ¹¹ / ₁₆	7 ¹ / ₄	2 ¹ / ₃₂	3 ⁵ / ₁₆	2 ¹ / ₃₂	2 ⁵ / ₃₂	6 ³ / ₆₄	2 ¹⁹ / ₆₄	2.1890	0.8740	15	9/16	211-32		3.6	
211-34	2 ¹ / ₈	55	218	133	43	184	17	84	17	20	25	58.4	55.6	22.2			211-34	FA 211	3.6	
211																	211		3.6	
211-35	2 ³ / ₁₆																211-35		3.6	

OVAL FLANGE B TYPE UNITS

UCFB2

(Cylindrical bore)



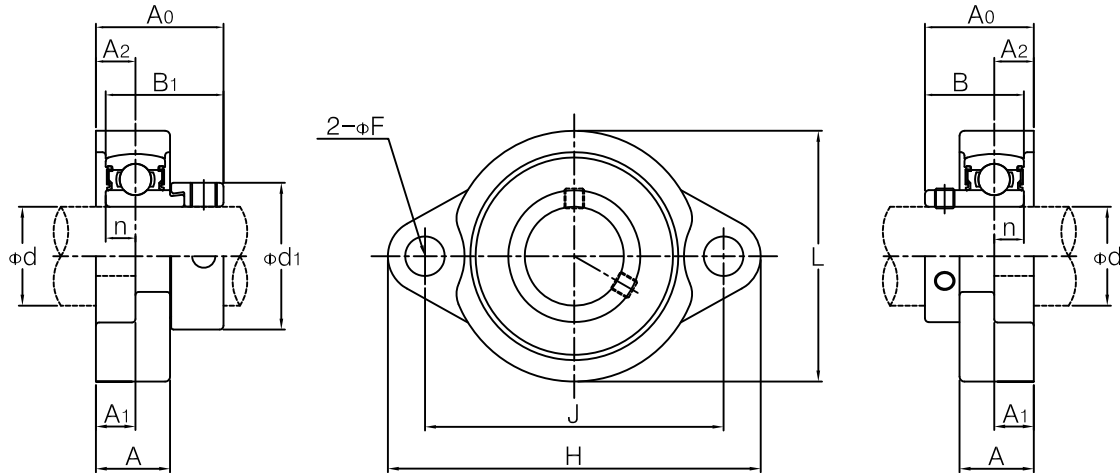
Unit No.	Shaft Dia.		Dimensions (in./mm)													Bolt used		Bearing No.	Housing No.	Weight (kgf)		
	(in.)	(mm)	H	L	A	J	J ₁	F	H ₁	H ₂	L ₁	A ₁	A ₂	A ₀	B	n	(mm)				(in.)	
UCFB 201 201-8 202 202-10 203 203-11 204-12 204		12																		UC 201 201-8 202 202-10 203 203-11 204-12 204	FB 204	0.64 0.64 0.62 0.62 0.61 0.61 0.59 0.59
		15																				
	5/8	41 ¹¹ / ₃₂	27 ¹⁶ / ₆₄	15 ¹⁶ / ₆₄	117 ⁶⁴ / ₆₄	11 ¹⁶ / ₆₄	3/8	121 ³² / ₃₂	21 ¹⁶ / ₆₄	21 ¹⁶ / ₆₄	1/2	17 ³² / ₃₂	11 ⁴ / ₃₂	1.2205	0.5000	8	5/16					
	11/16	110	62	24	32	27	9.5	42	52	52	13	13.5	31.8	31	12.7							
	3/4	17																				
UCFB 205-13 205-14 205-15 205 205-16		25																		UC 205-13 205-14 205-15 205 205-16	FB 205	0.68 0.68 0.68 0.68 0.68
	13/16	49 ¹⁶ / ₆₄	211 ¹⁶ / ₆₄	11 ³² / ₃₂	111 ³² / ₃₂	11 ¹⁶ / ₆₄	3/8	149 ⁶⁴ / ₆₄	21 ¹⁶ / ₆₄	27 ³² / ₃₂	1/2	19 ³² / ₃₂	13 ⁸ / ₃₂	1.3425	0.5630	8	5/16					
	7/8	116	68	26	34	27	9.5	45	52	56	13	15	34.8	34.1	14.3							
	15/16																					
	1	25																				
UCFB 206-17 206-18 206 206-19 206-20		30																		UC 206-17 206-18 206 206-19 206-20	FB 206	0.92 0.92 0.92 0.92 0.92
	11/16	51 ⁸ / ₈	31 ¹⁶ / ₆₄	15 ³² / ₃₂	137 ⁶⁴ / ₆₄	19 ⁶⁴ / ₆₄	3/8	131 ³² / ₃₂	25 ³² / ₃₂	29 ¹⁶ / ₆₄	1/2	43 ⁶⁴ / ₆₄	117 ³² / ₃₂	1.5000	0.6260	8	5/16					
	11/8	130	78	29	40	29	9.5	50	55	65	13	17	39.2	38.1	15.9							
	13/16																					
	11/4	30																				
UCFB 207-20 207-21 207-22 207 207-23		35																		UC 207-20 207-21 207-22 207 207-23	FB 207	1.3 1.3 1.3 1.3 1.3
	11/4	521 ³² / ₃₂	317 ³² / ₃₂	15 ¹⁶ / ₆₄	113 ¹⁶ / ₆₄	117 ⁶⁴ / ₆₄	3/8	211 ⁶⁴ / ₆₄	27 ¹⁶ / ₆₄	23 ⁴ / ₃₂	19 ³² / ₃₂	3/4	13 ⁴ / ₃₂	1.6890	0.6890	8	5/16					
	15/16	144	90	33	46	32	9.5	55	62	70	15	19	44.4	42.9	17.5							
	13/8																					
	17/16	35																				
UCFB 208-24 208-25 208		40																		UC 208-24 208-25 208	FB 208	1.8 1.8 1.8
	11/2	615 ³² / ₃₂	315 ¹⁶ / ₆₄	111 ³² / ₃₂	131 ³² / ₃₂	139 ⁶⁴ / ₆₄	15 ³² / ₃₂	223 ⁶⁴ / ₆₄	227 ³² / ₃₂	31 ¹⁶ / ₆₄	5/8	13 ¹⁶ / ₆₄	21 ⁶⁴ / ₆₄	1.9370	0.7480	10	3/8					
	19/16	164	100	34	50	41	12	60	72	78	16	21	51.2	49.2	19							
UCFB 209-26 209-27 209-28 209		45																		UC 209-26 209-27 209-28 209	FB 209	2.0 2.0 2.0 2.0
	15/8	627 ³² / ₃₂	43 ¹⁶ / ₆₄	111 ³² / ₃₂	21 ⁸ / ₃₂	111 ¹⁶ / ₆₄	15 ³² / ₃₂	29 ¹⁶ / ₆₄	3	35 ³² / ₃₂	23 ³² / ₃₂	13 ¹⁶ / ₆₄	21 ⁶⁴ / ₆₄	1.9370	0.7480	10	3/8					
	111/16	174	106	34	54	43	12	65	76	80	18	21	51.2	49.2	19							
	13/4	45																				
UCFB 210-29 210-30 210-31 210 210-32		50																		UC 210-29 210-30 210-31 210 210-32	FB 210	2.3 2.3 2.3 2.3 2.3
	113/16	71 ⁴ / ₄	413 ³² / ₃₂	13 ⁸ / ₃₂	29 ³² / ₃₂	113 ¹⁶ / ₆₄	15 ³² / ₃₂	243 ⁶⁴ / ₆₄	37 ³² / ₃₂	33 ⁸ / ₃₂	23 ³² / ₃₂	13 ¹⁶ / ₆₄	27 ⁶⁴ / ₆₄	2.0315	0.7480	10	3/8					
	17/8	184	112	35	58	46	12	68	82	86	18	21	53.6	51.6	19							
	115/16																					
	2	50																				

OVAL FLANGE L TYPE UNITS

SALF2 SBLF2

(Cylindrical bore)

SALF2(With eccentric locking collar), SBLF2(Set screw locking)

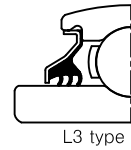
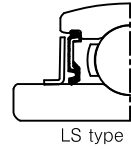
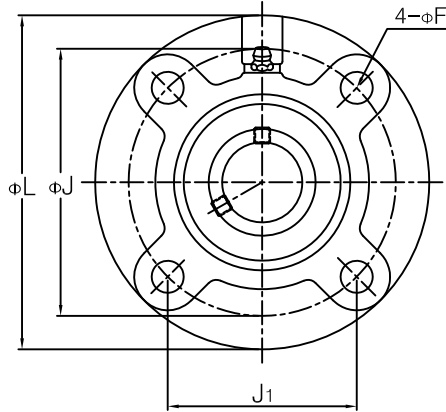
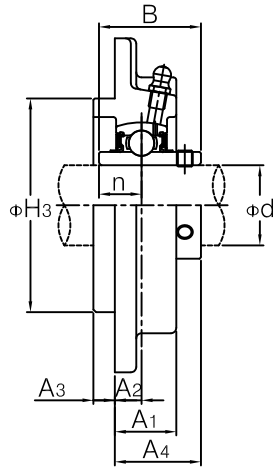


Unit No.	Shaft Dia.		Dimensions (in./mm)							Bolt used		S A L F				S B L F				Housing No.				
	d (in.)	d (mm)	H	L	A	J	F	A1	A2	n	(mm)	(in.)	A0	B1	d1	Bearing No.	Weight (kgf)	A0	B		Bearing No.	Weight (kgf)		
SALF SBLF 201	1/2	12														SA 201	0.28			SB 201	0.36	LF 203		
201-8																201-8	0.28			201-8	0.36			
202																202	0.28	1	0.8858	202	0.36			
202-10																202-10	0.28			202-10	0.36			
203		5/8	15	3 ³ / ₁₆	2 ⁷ / ₃₂	23/32	2 ¹ / ₂	5/16	3/8	3/8	0.2560	6	1/4	1 ¹ / ₄	1.1260	1.1260				203	0.36			
203-11	11/16	17	81	56.4	18	63.5	8	9.5	9.5	6.5			31.6	28.6	28.6			22.5	203-11	0.36				
SALF SBLF 204-12	3/4	20	3 ¹⁷ / ₃₂	2 ¹³ / ₃₂	25/32	2 ¹³ / ₁₆	25/64	7/16	7/16	0.2953	8	5/16	1 ³ / ₈	1.2204	1.3110	SA 204-12	0.33	1 ⁵ / ₃₂	1.0039	SB 204-12	0.33	LF 204		
204			90	61	20	71.4	10	11	11	7.5			34.5	31	33.3	204	0.33	29	25.5	204	0.33			
SALF SBLF 205-13	1	25	3 ³ / ₄	2 ¹⁷ / ₃₂	25/32	2 ⁶³ / ₆₄	25/64	7/16	7/16	0.2953	8	5/16	1 ¹¹ / ₃₂	1.2204	1.5000	SA 205-13	0.42	1 ³ / ₁₆	1.0630	SB 205-13	0.38	LF 205		
205-14																205-14	0.42						205-14	0.38
205-15																205-15	0.42						205-15	0.38
205																205	0.42						205	0.38
205-16																205-16	0.42						205-16	0.38
SALF SBLF 206-17	1 ¹ / ₈	30	4 ⁷ / ₁₆	3	7/8	3 ⁹ / ₁₆	15/32	15/32	15/32	0.3543	10	3/8	1 ⁹ / ₁₆	1.4055	1.7519	SA 206-17	0.60	1 ¹¹ / ₃₂	1.1811	SB 206-17	0.57	LF 206		
206-18																206-18	0.60						206-18	0.57
206																206	0.60						206	0.57
206-19																206-19	0.60						206-19	0.57
206-20																206-20	0.60						206-20	0.57
SALF SBLF 207-20	1 ³ / ₈	35	4 ¹³ / ₁₆	3 ¹ / ₂	15/16	3 ¹⁵ / ₁₆	15/32	1/2	1/2	0.3740	10	3/8	1 ¹¹ / ₁₆	1.5315	2.1890	SA 207-20	0.85	1 ³³ / ₆₄	1.3780	SB 207-20	0.77	LF 207		
207-21																207-21	0.85						207-21	0.77
207-22																207-22	0.85						207-22	0.77
207																207	0.85						207	0.77
207-23																207-23	0.85						207-23	0.77

ROUND FLANGE TYPE UNITS

UCFCX

(Cylindrical bore)

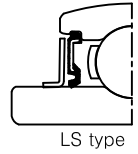
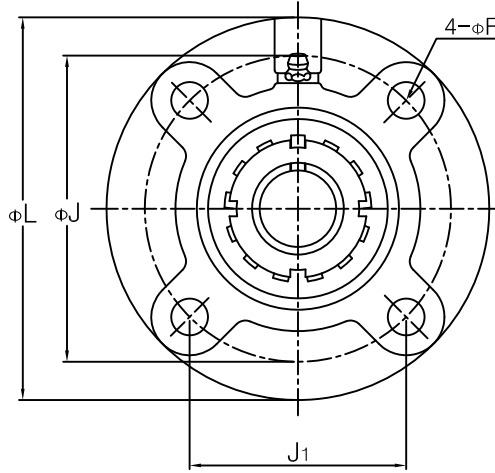
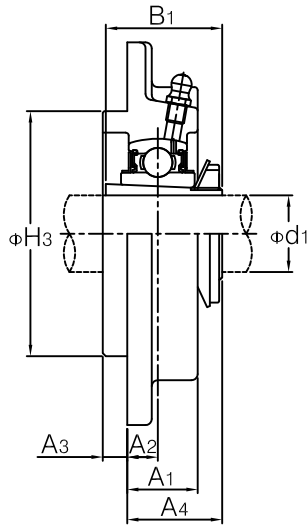


Unit No.	Shaft Dia.		Dimensions (in./mm)											Bolt used		Bearing No.	Housing No.	Weight (kgf)
	d		L	H3	J	J1	F	A1	A2	A3	A4	B	n	(mm)	(in.)			
	(in.)	(mm)																
UCFC X05-13	13/16	25	111	3	35/8	29/16	3/8	15/16	13/32	15/64	19/32	1.5000	0.6260	8	5/16	UC X05-13	FC X05	1.2
X05-14	7/8																	
X05-15	15/16																	
X05	1																	
UCFC X05-16	1	30	127	311/32	49/64	259/64	15/32	7/8	5/16	3/8	15/16	1.6890	0.6890	10	3/8	UC X06-17	FC X06	1.5
X06-17	11/16																	
X06-18	11/8																	
X06	13/16																	
UCFC X06-19	13/16	35	133	35/8	43/8	33/32	15/32	11/32	23/64	7/16	117/32	1.9370	0.7480	10	3/8	UC X07-20	FC X07	1.9
X06-19	13/16																	
X06-20	1/4																	
X07	17/16																	
UCFC X07-20	11/4	40	133	35/8	43/8	33/32	15/32	11/32	23/64	7/16	117/32	1.9370	0.7480	10	3/8	UC X08-24	FC X08	2.0
X07-20	15/16																	
X07-22	13/8																	
X07	17/16																	
UCFC X07-23	17/16	45	155	41/4	51/8	35/8	35/64	63/64	5/16	15/32	119/32	2.0315	0.7480	12	7/16	UC X09-26	FC X09	2.6
X07-23	17/16																	
X08	11/2																	
X08	19/16																	
UCFC X08-24	11/2	50	162	441/64	523/64	325/32	35/64	63/64	9/32	5/8	119/32	2.1890	0.8740	12	7/16	UC X10-30	FC X10	3.2
X08-24	11/2																	
X08-25	19/16																	
X08	11/2																	
UCFC X09-26	15/8	55	180	5	563/64	415/64	5/8	11/32	5/32	55/64	123/32	2.5630	1.0000	14	1/2	UC X11-31	FC X11	4.3
X09-26	11/16																	
X09-27	13/4																	
X09	23/16																	
UCFC X09-27	11/16	60	194	51/2	61/2	419/32	5/8	15/16	7/16	25/32	2	2.5630	1.0000	14	1/2	UC X12-36	FC X12	5.3
X09-27	11/16																	
X09-28	13/4																	
X09	23/16																	
UCFC X09-28	13/4	65	194	51/2	61/2	419/32	5/8	15/16	7/16	25/32	23/16	2.9370	1.1890	14	1/2	UC X13-40	FC X13	5.7
X09-28	13/4																	
X09	23/16																	
X10	23/16																	
UCFC X10-30	17/8	70	222	615/32	731/64	59/32	3/4	113/32	35/64	25/32	25/16	3.0630	1.3110	16	5/8	UC X14-43	FC X14	7.3
X10-30	17/8																	
X10-31	115/16																	
X10	23/16																	
UCFC X10-31	115/16	75	222	615/32	731/64	59/32	3/4	113/32	35/64	25/32	213/32	3.2520	1.3110	16	5/8	UC X15-47	FC X15	8
X10-31	115/16																	
X10	23/16																	
X10-32	2																	
UCFC X11-31	115/16	80	260	75/16	85/8	63/32	29/32	113/32	13/32	63/64	27/16	3.3740	1.3425	20	3/4	UC X16	FC X16	11.3
X11-31	2																	
X11-32	2																	
X11-34	21/8																	
UCFC X11-31	115/16	85	260	75/16	85/8	63/32	29/32	113/32	13/32	63/64	25/8	3.7795	1.5630	20	3/4	UC X17	FC X17	12.9
X11-31	115/16																	
X11-32	2																	
X11-34	21/8																	
UCFC X11-32	2	90	260	75/16	85/8	63/32	29/32	113/32	15/32	13/32	27/8	4.0945	1.7000	20	3/4	UC X18-56	FC X18	13.5
X11-32	2																	
X11-34	21/8																	
X11	23/16																	
UCFC X11-34	21/8	90	260	75/16	85/8	63/32	29/32	113/32	15/32	13/32	28	4.0945	1.7000	20	3/4	UC X18-56	FC X18	13.5
X11-34	21/8																	
X11	23/16																	
X11-35	23/16																	
UCFC X11-35	23/16	100	276	81/8	93/8	65/8	29/32	219/32	7/8	13/32	39/16	4.6260	1.9370	20	3/4	UC X20	FC X20	18.2
X11-35	23/16																	
X12	21/4																	
X12-36	21/4																	
UCFC X12-36	21/4	100	276	81/8	93/8	65/8	29/32	219/32	7/8	13/32	39/16	4.6260	1.9370	20	3/4	UC X20	FC X20	18.2
X12-36	21/4																	
X12	21/4																	
X12-37	25/16																	
UCFC X12-37	25/16	100	276	81/8	93/8	65/8	29/32	219/32	7/8	13/32	39/16	4.6260	1.9370	20	3/4	UC X20	FC X20	18.2
X12-37	25/16																	
X12-38	23/8																	
X12-39	27/16																	
UCFC X12-38	23/8	100	276	81/8	93/8	65/8	29/32	219/32	7/8	13/32	39/16	4.6260	1.9370	20	3/4	UC X20	FC X20	18.2
X12-38	23/8																	
X12-39	27/16																	
X13	21/2																	
UCFC X13-40	21/2	100	276	81/8	93/8	65/8	29/32	219/32	7/8	13/32	39/16	4.6260	1.9370	20	3/4	UC X20	FC X20	18.2
X13	21/2																	
X14	23/4																	
X14-43	211/16																	
UCFC X14-43	211/16	100	276	81/8	93/8	65/8	29/32	219/32	7/8	13/32	39/16	4.6260	1.9370	20	3/4	UC X20	FC X20	18.2
X14-43	211/16																	
X14-44	23/4																	
X14	23/4																	
UCFC X14-44	23/4	100	276	81/8	93/8	65/8	29/32	219/32	7/8	13/32	39/16	4.6260	1.9370	20	3/4	UC X20	FC X20	18.2
X14-44	23/4																	
X15	215/16																	
X15-47	215/16																	
UCFC X15-47	215/16	100	276	81/8	93/8	65/8	29/32	219/32	7/8	13/32	39/16	4.6260	1.9370	20	3/4	UC X20	FC X20	18.2
X15-47	215/16																	
X15	215/16																	
X15-48	3																	
UCFC X15-47	215/16	100	276	81/8	93/8	65/8	29/32	219/32	7/8	13/32	39/16	4.6260	1.9370	20	3/4	UC X20	FC X20	18.2
X15-48	3																	
X16	80																	
X16	80																	
UCFC X16	80	100	276	81/8	93/8	65/8	29/32	219/32	7/8	13/32	39/16	4.6260	1.9370	20	3/4	UC X20	FC X20	18.2
X16	80																	
X17	85																	
X17-52	31/4																	
UCFC X17-52	31/4	100	276	81/8	93/8	65/8	29/32	219/32	7/8	13/32	39/16	4.6260	1.9370	20	3/4	UC X20	FC X20	18.2
X17-52	31/4																	
X17-55	37/16																	
X18	31/2																	
UCFC X18-56	31/2	100	276	81/8	93/8	65/8	29/32	219/32	7/8	13/32	39/16	4.6260	1.9370	20	3/4	UC X20	FC X20	18.2
X18	31/2																	
X20	315/16																	
X20-63	4																	
UCFC X20	315/16	100	276	81/8	93/8	65/8	29/32	219/32	7/8	13/32	39/16	4.6260	1.9370	20	3/4	UC X20	FC X20	18.2
X20-63	4																	
X20-64	4																	
X20-64	4																	

ROUND FLANGE TYPE UNITS

UKFC2

(Tapered bore)

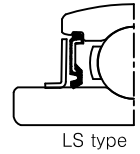
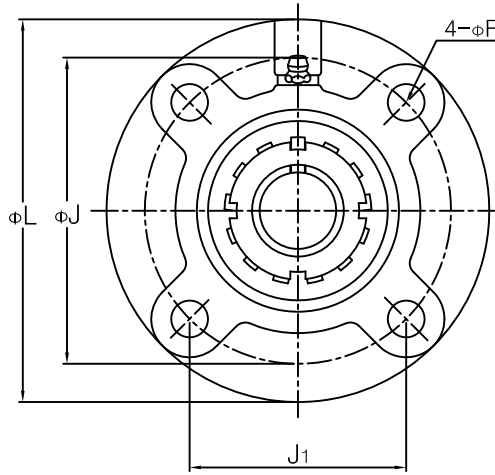
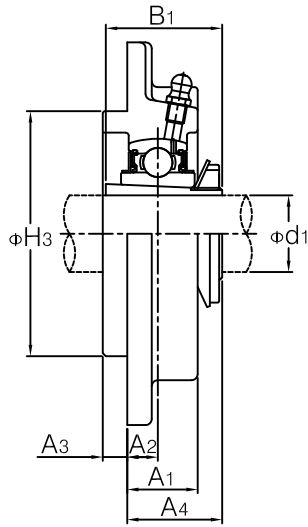


Unit No.	Shaft Dia.		Dimensions										Bolt used		Bearing No.	Housing No.	Adapter used	Weight (kgf)
	d1		L	H3	J	J1	F	A1	A2	A3	A4	B1	(mm)	(in.)				
	(in.)	(mm)																
UKFC 205 205	3/4	20	4 17/32 115	2 3/4 70	3 35/64 90	2 1/2 63.6	1 5/32 12	1 3/16 21	1 3/32 10	1 5/64 6	1 5/32 29.5	1 3/8 35	10	4/8	UK 205	FC 205	HE2305 H 2305	0.99 0.99
UKFC 206 206 206 206	7/8 15/16 1	25	4 29/32 125	3 5/32 80	3 15/16 100	2 25/32 70.7	1 5/32 12	2 9/32 23	1 3/32 10	5/16 8	1 7/32 31	1 1/2 38	10	4/8	UK 206	FC 206	HS2306 HA2306 H 2306 HE2306	1.3 1.3 1.3 1.3
UKFC 207 207 207	1 1/8 1 3/16	30	5 5/16 135	3 35/64 90	4 21/64 110	3 1/16 77.8	3 5/64 14	1 1/32 26	7/16 11	5/16 8	1 5/16 33.5	1 11/16 43	12	7/16	UK 207	FC 207	HS2307 H 2307 HA2307	1.7 1.7 1.7
UKFC 208 208 208	1 1/4 1 3/8	35	5 23/32 145	3 15/16 100	4 23/32 120	3 11/32 84.8	3 5/64 14	1 1/32 26	7/16 11	1 3/32 10	1 25/64 35.5	1 13/16 46	12	7/16	UK 208	FC 208	HE2308 HS2308 H 2308	2.0 2.0 2.0
UKFC 209 209 209 209	1 7/16 1 1/2 1 5/8	40	6 5/16 160	4 1/8 105	5 13/64 132	3 43/64 93.3	5/8 16	1 1/32 26	1 3/32 10	1 5/32 12	1 27/64 36	1 31/32 50	14	1/2	UK 209	FC 209	HA2309 HS2309 H 2309 HS2309	2.7 2.7 2.7 2.7
UKFC 210 210 210	1 11/16 1 3/4	45	6 1/2 165	4 11/32 110	5 7/16 138	3 27/32 97.6	5/8 16	1 3/32 28	1 3/32 10	1 5/32 12	1 15/32 37.5	2 5/32 55	14	1/2	UK 210	FC 210	HA2310 HS2310 H 2310	3.0 3.0 3.0
UKFC 211 211 211 211	1 7/8 1 15/16 2	50	7 9/32 185	4 29/32 125	5 29/32 150	4 11/64 106.1	3/4 19	1 7/32 31	3 3/64 13	1 5/32 12	1 5/8 41.5	2 5/16 59	16	5/8	UK 211	FC 211	HS2311 HA2311 H 2311 HE2311	4.3 4.3 4.3 4.3
UKFC 212 212	2 1/8	55	7 11/16 195	5 5/16 135	6 19/64 160	4 29/64 113.1	3/4 19	1 13/32 36	4 3/64 17	1 5/32 12	1 57/64 48	2 7/16 62	16	5/8	UK 212	FC 212	HS2312 H 2312	4.9 4.9
UKFC 213 213 213 213	2 3/16 2 1/4 2 3/8	60	8 1/16 205	5 23/32 145	6 11/16 170	4 47/64 120.2	3/4 19	1 13/32 36	5/8 16	3 5/64 14	1 59/64 49	2 9/16 65	16	5/8	UK 213	FC 213	HA2313 HE2313 H 2313 HS2313	5.5 5.5 5.5 5.5
UKFC 215 215 215	2 7/16 2 1/2	65	8 21/32 220	6 5/16 160	7 1/4 184	5 1/8 130.1	3/4 19	1 9/16 40	4 5/64 18	5/8 16	2 7/64 53.5	2 7/8 73	16	5/8	UK 215	FC 215	HA2315 HE2315 H 2315	7.4 7.4 7.4
UKFC 216 216 216	2 11/16 2 3/4	70	9 7/16 240	6 11/16 170	7 7/8 200	5 9/16 141.4	2 9/32 23	1 21/32 42	4 5/64 18	5/8 16	2 1/4 57	3 1/16 78	20	3/4	UK 216	FC 216	HA2316 HE2316 H 2316	9.0 9.0 9.0
UKFC 217 217 217	2 15/16 3	75	9 27/32 250	7 3/32 180	8 3/16 208	5 51/64 147.1	2 9/32 23	1 25/32 45	4 5/64 18	4 5/64 18	2 21/64 59	3 7/32 82	20	3/4	UK 217	FC 217	HA2317 H 2317 HE2317	10.4 10.4 10.4
UKFC 218		80	10 7/16 265	7 15/32 190	8 21/32 220	6 1/8 155.5	2 9/32 23	1 31/32 50	5 5/64 22	4 5/64 18	2 35/64 64.5	3 3/8 86	20	3/4	UK 218	FC 218	H 2318	13.3

ROUND FLANGE TYPE UNITS

UKFCX

(Tapered bore)



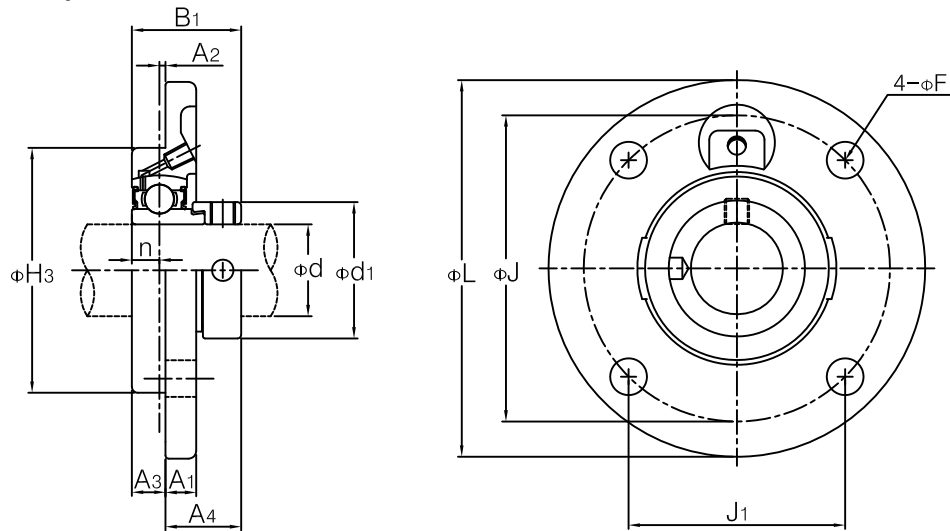
Unit No.	Shaft Dia.		Dimensions (in./mm)										Bolt used		Bearing No.	Housing No.	Adapter used	Weight (kgf)
	d1		L	H ₃	J	J ₁	F	A ₁	A ₂	A ₃	A ₄	B ₁	(mm)	(in.)				
	(in.)	(mm)																
UKFC X05 X05	3/4	20	4 3/8 111	3 76	3 5/8 92	2 9/16 65	3/8 9.5	1 5/16 24	1 3/32 10	1 5/64 6	1 7/32 31	1 3/8 35	8	5/16	UK X05	FC X05	HE2305 H 2305	1.2 1.2
UKFC X06 X06 X06 X06	7/8 1 5/16 1	25	5 127	3 11/32 85	4 9/64 105	2 59/64 74.2	1 5/32 12	7/8 22.5	5/16 8	3/8 9.5	1 5/32 29.5	1 1/2 38	10	3/8	UK X06	FC X06	HS2306 HA2306 H 2306 HE2306	1.5 1.5 1.5 1.5
UKFC X07 X07 X07	1 1/8 1 3/16	30	5 1/4 133	3 5/8 92	4 3/8 111	3 3/32 78.5	1 5/32 12	1 1/32 26	2 3/64 9	7/16 11	1 9/32 32.5	1 11/16 43	10	3/8	UK X07	FC X07	HS2307 H 2307 HA2307	1.9 1.9 1.9
UKFC X08 X08 X08	1 1/4 1 3/8	35	5 1/4 133	3 5/8 92	4 3/8 111	3 3/32 78.5	1 5/32 12	1 1/32 26	2 3/64 9	7/16 11	1 11/32 34	1 13/16 46	10	3/8	UK X08	FC X08	HE2308 HS2308 H 2308	1.9 1.9 1.9
UKFC X09 X09 X09 X09	1 7/16 1 1/2 1 5/8	40	6 3/32 155	4 1/4 108	5 1/8 130	3 5/8 91.9	3 5/64 14	6 3/64 25	5/16 8	1 5/32 12	1 23/64 34.5	1 31/32 50	12	7/16	UK X09	FC X09	HA2309 HE2309 H 2309 HS2309	2.6 2.6 2.6 2.6
UKFC X10 X10 X10	1 11/16 1 3/4	45	6 3/8 162	4 1/4 118	5 23/64 136	3 25/32 96.2	3 5/64 14	6 3/64 25	9/32 7	5/8 16	1 25/64 35.5	2 5/32 55	12	7/16	UK X10	FC X10	HA2310 HE2310 H 2310	3.1 3.1 3.1
UKFC X11 X11 X11 X11	1 7/8 1 15/16 2	50	7 3/32 180	5 127	5 63/64 152	4 15/64 107.5	5/8 16	1 1/32 26	5/32 4	5 5/64 22	1 11/32 34	2 5/16 59	14	1/2	UK X11	FC X11	HS2311 HA2311 H 2311 HE2311	4.0 4.0 4.0 4.0
UKFC X12 X12	2 1/8	55	7 5/8 194	5 1/2 140	6 1/2 165	4 19/32 116.7	5/8 16	1 19/64 33	7/16 11	2 5/32 20	1 11/16 43	2 7/16 62	14	1/2	UK X12	FC X12	HS2312 H 2312	5.1 5.1
UKFC X13 X13 X13 X13	2 3/16 2 1/4 2 3/8	60	7 5/8 194	5 1/2 140	6 1/2 165	4 19/32 116.7	5/8 16	1 19/64 33	7/16 11	2 5/32 20	1 25/32 45	2 9/16 65	14	1/2	UK X13	FC X13	HA2313 HE2313 H 2313 HS2313	5.3 5.3 5.3 5.3
UKFC X15 X15 X15	2 1/2 2 5/8	65	8 3/4 222	6 15/32 164	7 31/64 190	5 9/32 134.3	3/4 19	1 3/8 35	1 5/32 12	5 5/64 22	1 15/16 49	2 7/8 73	16	5/8	UK X15	FC X15	HA2315 HE2315 H 2315	7.7 7.7 7.7
UKFC X16 X16	2 3/4	70	10 1/4 260	7 5/16 186	8 5/8 219	6 3/32 154.8	2 9/32 23	1 13/32 36	1 3/32 10	6 3/64 25	1 31/32 50	3 1/16 78	20	3/4	UK X16	FC X16	HE2316 H 2316	11.4 11.4
UKFC X17 X17 X17 X17	2 7/8 2 15/16 3	75	10 1/4 260	7 5/16 186	8 5/8 219	6 3/32 154.8	2 9/32 23	1 13/32 36	1 3/32 10	6 3/64 25	2 1/16 52.5	3 7/32 82	20	3/4	UK X17	FC X17	HS2317 HA2317 H 2317 HE2317	12.6 12.6 12.6 12.6
UKFC X18		80	10 1/4 260	7 5/16 186	8 5/8 219	6 3/32 154.8	2 9/32 23	1 11/16 43	1 5/32 12	1 3/32 28	2 5/32 55	3 3/8 86	20	3/4	UK X18	FC X18	H 2318	14.0
UKFC X20 X20	3 1/2	90	10 7/8 276	8 1/8 206	9 3/8 238	6 5/8 168.3	2 9/32 23	2 19/32 66	7/8 22	1 3/32 28	2 23/32 69	3 13/16 97	20	3/4	UK X20	FC X20	HE2320 H 2320	15.0 15.0

ROUND FLANGE C TYPE UNITS

SAFCC2

(Cylindrical bore)

(With eccentric locking collar)

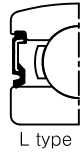
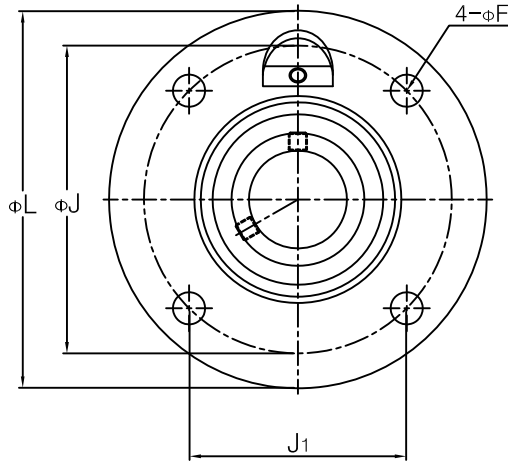
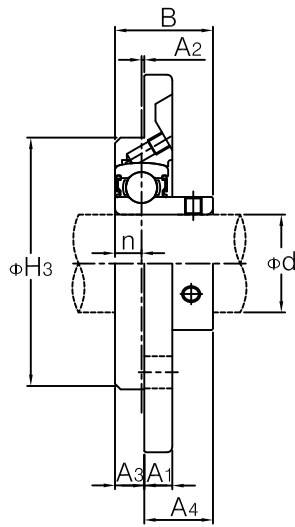


Unit No.	Shaft Dia.		Dimensions (in./mm)													Bolt used		Bearing No.	Housing No.	Weight (kgf)
	d		L	H3	J	J1	F	A1	A2	A3	A4	B1	n	d1	(mm)	(in.)				
	(in.)	(mm)																		
SAFCC 201	1/2	12	315/16	27/16	31/16	211/64	23/64	5/16	5/64	23/64	51/64	1.2205	1/4	1.3110	8	5/16	SA 201	FCC 204	0.53	
201-8		15															0.53			
202		17															0.53			
202-10		17															0.53			
SAFCC 203	5/8	17	100	62	78	55.2	9	8	2	9	20.1	31	6.5	33.3	8	5/16	SA 203	FCC 204	0.53	
SAFCC 203-11	11/16	20	100	62	78	55.2	9	8	2	9	20.1	31	6.5	33.3	8	5/16	SA 203-11	FCC 204	0.53	
SAFCC 204-12	3/4																SA 204	FCC 204	0.53	
SAFCC 204	3/4																SA 204	FCC 204	0.53	
SAFCC 205-13	13/16																25	417/32	23/4	335/64
SAFCC 205-14	7/8	SA 205-14	FCC 205	0.80																
SAFCC 205-15	15/16	SA 205-15	FCC 205	0.80																
SAFCC 205	15/16	SA 205	FCC 205	0.80																
SAFCC 205-16	1	30	427/32	35/32	315/16	225/32	15/32	13/32	1/8	7/16	15/16	1.4055	0.3543	1.7520	10	3/8	SA 205-16	FCC 206	0.80	
SAFCC 206-17	11/16																SA 206-17		FCC 206	0.95
SAFCC 206-18	11/8																SA 206-18		FCC 206	0.95
SAFCC 206	11/8																SA 206		FCC 206	0.95
SAFCC 206-19	13/16	35	123	80	100	70.7	12	10	3	11	23.7	35.7	9	44.5	10	3/8	SA 206-19	FCC 207	0.95	
SAFCC 206-20	11/4																SA 206-20		FCC 207	0.95
SAFCC 207-20	11/4																SA 207-20		FCC 207	1.25
SAFCC 207-21	15/16																SA 207-21		FCC 207	1.25
SAFCC 207-22	13/8	40	55/16	335/64	411/32	31/16	29/64	13/32	3/64	13/32	11/8	1.5315	0.3740	2.1890	10	3/8	SA 207-22	FCC 208	1.25	
SAFCC 207	13/8																SA 207		FCC 208	1.25
SAFCC 207-23	17/16																SA 207-23		FCC 208	1.25
SAFCC 208-24	11/2																SA 208-24		FCC 208	1.68
SAFCC 208-25	19/16	45	523/32	315/16	423/32	311/32	29/64	29/64	1/16	31/64	115/64	1.7205	0.4331	2.3740	10	3/8	SA 208-25	FCC 209	1.68	
SAFCC 208	19/16																SA 208		FCC 209	1.68
SAFCC 209-26	15/8																SA 209-26		FCC 209	2.05
SAFCC 209-27	111/16																SA 209-27		FCC 209	2.05
SAFCC 209-28	13/4	50	63/32	41/8	51/8	339/64	35/64	15/32	5/64	1/2	113/64	1.7205	0.4331	2.5000	12	7/16	SA 209-28	FCC 210	2.05	
SAFCC 209	13/4																SA 209		FCC 210	2.05
SAFCC 210-29	113/16																SA 210-29		FCC 210	2.19
SAFCC 210-30	17/8																SA 210-30		FCC 210	2.19
SAFCC 210-31	115/16	55	61/2	411/32	55/16	349/64	35/64	1/2	3/64	15/32	11/4	1.7205	0.4331	2.7520	12	7/16	SA 210-31	FCC 211	2.19	
SAFCC 210	2																SA 210		FCC 211	2.19
SAFCC 210-32	2																SA 210-32		FCC 211	2.19
SAFCC 211-31	115/16																SA 211-31		FCC 211	3.14
SAFCC 211-32	2	60	79/32	429/32	529/32	411/64	45/64	19/32	0	31/64	17/16	1.9055	0.4724	3.0000	16	5/8	SA 211-32	FCC 212	3.14	
SAFCC 211-34	21/8																SA 211-34		FCC 212	3.14
SAFCC 211	21/8																SA 211		FCC 212	3.14
SAFCC 211-35	23/16																SA 211-35		FCC 212	3.14
SAFCC 212-36	21/4	60	711/16	55/16	65/16	429/64	45/64	5/8	-1/64	1/2	221/64	2.0906	0.5315	3.3150	16	5/8	SA 212-36	FCC 212	3.83	
SAFCC 212-37	25/16																SA 212-37		FCC 212	3.83
SAFCC 212	25/16																SA 212		FCC 212	3.83
SAFCC 212-38	23/8																SA 212-38		FCC 212	3.83
SAFCC 212-39	27/16	SA 212-39	FCC 212	3.83																

ROUND FLANGE C TYPE UNITS

SBFCC2

(Cylindrical bore)

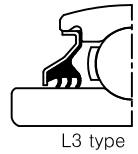
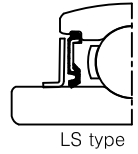
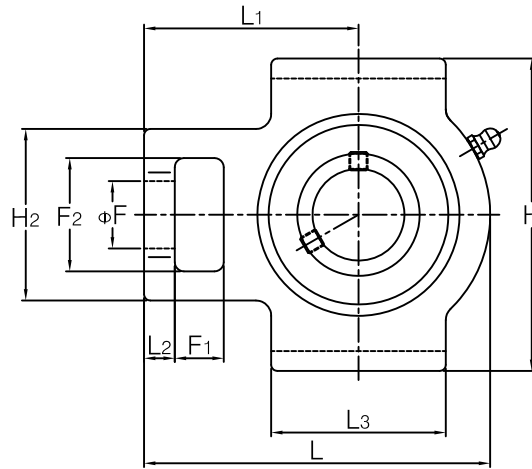
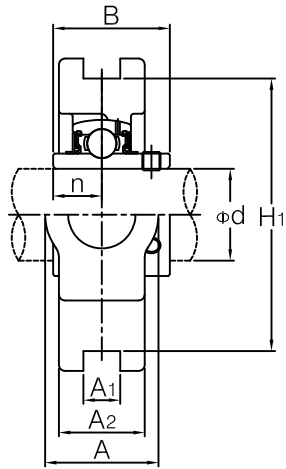


Unit No.	Shaft Dia.		Dimensions (in./mm)											Bolt used		Bearing No.	Housing No.	Weight (kgf)													
	d		L	H ₃	J	J ₁	F	A ₁	A ₂	A ₃	A ₄	B	n	(mm)	(in.)																
	(in.)	(mm)																													
SBFCC 201	1/2	12	315/16	27/16	31/16	211/64	23/64	5/16	5/64	23/64	5/8	1.0040	0.2953	8	5/16	SB 201	SB 204	0.53													
201-8		15														0.53															
202		17														0.53															
202-10		100														62		78	55.2	9	8	2	9	16	25.5	7.5	8	5/16	SB 202	0.53	
203		17														100		62	78	55.2	9	8	2	9	16	25.5	7.5	8	5/16	SB 203	0.53
203-11	11/16	20	100	62	78	55.2	9	8	2	9	16	25.5	7.5	8	5/16	SB 203-11	SB 204	0.53													
204-12	3/4															SB 204-12		0.53													
204	20															SB 204		0.53													
204	20															SB 204		0.53													
SBFCC 205-13	13/16	25	417/32	23/4	335/64	21/2	23/64	23/64	3/32	13/32	43/64	1.0630	0.2953	8	5/16	SB 205-13	SB 205	0.74													
205-14	7/8															SB 205-14		0.74													
205-15	15/16															SB 205-15		0.74													
205	25															SB 205		0.74													
205-16	1															SB 205-16		0.74													
SBFCC 206-17	11/16	30	427/32	33/32	315/16	225/32	15/32	13/32	1/8	7/16	45/64	1.1811	0.3543	10	3/8	SB 206-17	SB 206	0.92													
206-18	11/8															SB 206-18		0.92													
206	123															80		100	70.7	12	10	3	11	18	30	9	10	3/8	SB 206	0.92	
206-19	13/16															SB 206-19		0.92													
206-20	11/4															SB 206-20		0.92													
SBFCC 207-20	11/4	35	55/16	335/64	411/32	31/16	29/64	13/32	3/64	13/32	31/32	1.3780	0.3740	10	3/8	SB 207-20	SB 207	1.12													
207-21	15/16															SB 207-21		1.12													
207-22	13/8															SB 207-22		1.12													
207	35															SB 207		1.12													
207-23	17/16															SB 207-23		1.12													
SBFCC 208-24	11/2	40	523/32	315/16	423/32	311/32	29/64	29/64	1/16	31/64	15/64	1.5748	0.4331	10	3/8	SB 208-24	SB 208	1.57													
208-25	9/16															SB 208-25		1.57													
208	40															145		100	120	84.9	11.5	11.5	1.5	12.5	27.5	40	11	10	3/8	SB 208	1.57
209-26	15/8															SB 209-26		1.96													
209-27	111/16															SB 209-27		1.96													
209-28	13/4	SB 209-28	1.96																												
209	45	155	105	130	91.9	14	12	2	13	28.2	41.2	11	12	7/16	SB 209	1.96															
SBFCC 210-29	113/16	50	61/2	411/32	55/16	349/64	35/64	1/2	3/64	15/32	115/64	1.7165	0.4331	12	7/16	SB 210-29	SB 210	2.74													
210-30	17/8															SB 210-30		2.74													
210-31	115/16															SB 210-31		2.74													
210	50															165		110	135	95.5	14	13	1	12	31.6	43.6	11	12	7/16	SB 210	2.74
210-32	2															SB 210-32		2.74													
SBFCC 211-31	115/16	55	79/32	429/32	529/32	411/64	45/64	19/32	0	31/64	15/16	1.7874	0.4724	16	5/8	SB 211-31	SB 211	3.09													
211-32	2															SB 211-32		3.09													
211-34	21/8															SB 211-34		3.09													
211	55															185		125	150	106	18	15	0	12.5	33.4	45.4	12	16	5/8	SB 211	3.09
211-35	23/16															SB 211-35		3.09													
SBFCC 212-36	21/4	60	711/16	55/16	65/16	429/64	45/64	5/8	-1/64	1/2	137/64	2.0945	0.5315	16	5/8	SB 212-36	SB 212	3.68													
212-37	25/16															SB 212-37		3.68													
212	60															195		135	160	113.1	18	16	-0.5	13	40.2	53.2	13.5	16	5/8	SB 212	3.68
212-38	23/8															SB 212-38		3.68													
212-39	27/16															SB 212-39		3.68													

TAKE-UP TYPE UNITS

UCT2

(Cylindrical bore)

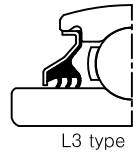
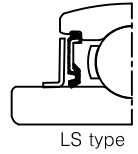
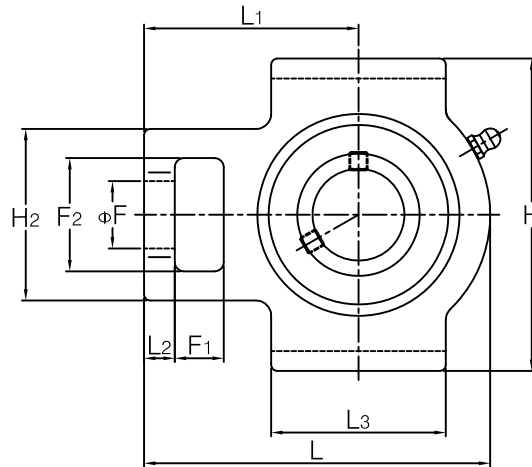
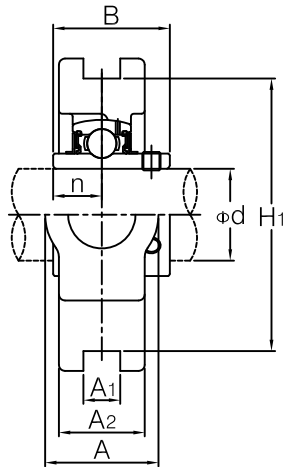


Unit No.	Shaft Dia.		Dimensions (in./mm)														Bearing No.	Housing No.	Weight (kgf)	
	d (in.)	d (mm)	A	A1	A2	H	H1	H2	L	L1	L2	L3	F	F1	F2	B				n
UCT 201		12																UC 201		0.81
201-8	1/2																	UC 201-8		0.81
202		15																202		0.79
202-10	5/8		1 1/4	15/32	13/16	3 1/2	2 63/64	2	3 11/16	2 13/32	13/32	2	3/4	5/8	1 17/64	1.2205	0.5000	202-10	T 204	0.79
203		17	32	12	21	89	76	51	94	61	10	51	19	16	32	31	12.7	203		0.78
203-11	1 1/16																	203-11		0.78
204-12	3/4																	204-12		0.76
204		20																204		0.76
UCT 205-13	13/16																	UC 205-13		0.84
205-14	7/8		1 1/4	15/32	15/16	3 1/2	2 63/64	2	3 13/16	2 7/16	13/32	2	3/4	5/8	1 17/64	1.3425	0.5630	205-14	T 205	0.84
205-15	15/16		32	12	24	89	76	51	97	62	10	51	19	16	32	34.1	14.3	205-15		0.84
205		25																205		0.84
205-16	1																	205-16		0.84
UCT 206-17	1 1/16																	UC 206-17		1.3
206-18	1 1/8		1 15/32	15/32	1 3/32	4 1/32	3 1/2	2 7/32	4 7/16	2 3/4	13/32	2 1/4	55/64	5/8	1 15/32	1.5000	0.6260	206-18	T 206	1.3
206		30	37	12	28	102	89	56	113	70	10	57	22	16	37	38.1	15.9	206		1.3
206-19	13/16																	206-19		1.3
206-20	1 1/4																	206-20		1.3
UCT 207-20	1 1/4																	UC 207-20		1.6
207-21	1 5/16		1 15/32	15/32	1 3/16	4 1/32	3 1/2	2 17/32	5 3/32	3 1/16	1/2	2 17/32	55/64	5/8	1 15/32	1.6890	1.6890	207-21	T 207	1.6
207-22	1 3/8		37	12	30	102	89	64	129	78	13	64	22	16	37	42.9	17.5	207-22		1.6
207		35																207		1.6
207-23	1 7/16																	207-23		1.6
UCT 208-24	1 1/2		1 15/16	5/8	1 5/16	4 1/2	4 1/64	3 9/32	5 21/32	3 15/32	5/8	3 9/32	1 9/64	3/4	1 15/16	1.9370	0.7480	UC 208-24	T 208	2.5
208-25	1 9/16		49	16	33	114	102	83	144	88	16	83	29	19	49	49.2	19	208-25		2.5
208		40																208		2.5
UCT 209-26	1 5/8																	UC 209-26		2.4
209-27	1 11/16		1 15/16	5/8	1 3/8	4 9/32	4 1/64	3 9/32	5 21/32	3 7/16	5/8	3 9/32	1 9/64	3/4	1 15/16	1.9370	0.7480	209-27	T 209	2.4
209-28	1 3/4		49	16	35	117	102	83	144	87	16	83	29	19	49	49.2	19	209-28		2.4
209		45																209		2.4
UCT 210-29	1 13/16																	UC 210-29		2.6
210-30	1 7/8		1 15/16	5/8	1 15/32	4 9/32	4 1/64	3 9/32	5 7/8	3 17/32	5/8	3 3/8	1 9/64	3/4	1 15/16	2.0315	0.7480	210-30	T 210	2.6
210-31	1 15/16		49	16	37	117	102	83	149	90	16	86	29	19	49	51.6	19	210-31		2.6
210		50																210		2.6
210-32	2																	210-32		2.6
UCT 211-31	1 15/16																	UC 211-31		4.0
211-32	2		2 17/32	55/64	1 1/2	5 3/4	5 1/8	4 1/32	6 23/32	4 3/16	3/4	3 3/4	1 3/8	63/64	2 17/32	2.1890	0.8740	211-32	T 211	4.0
211-34	2 1/8		64	22	38	146	130	102	171	106	19	95	35	25	64	55.6	22.2	211-34		4.0
211		55																211		4.0
211-35	2 3/16																	211-35		4.0
UCT 212-36	2 1/4																	UC 212-36		4.9
212-37	2 5/16		2 17/32	55/64	1 21/32	5 3/4	5 1/8	4 1/32	7 5/8	4 11/16	3/4	4 1/32	1 3/8	1 1/4	2 17/32	2.5630	1.0000	212	T 212	4.9
212		60	64	22	42	146	130	102	194	119	19	102	35	32	64	65.1	25.4	212-37		4.9
212-38	2 3/8																	212-38		4.9
212-39	2 7/16																	212-39		4.9
UCT 213-40	2 1/2		2 3/4	1 1/32	1 23/32	6 9/16	5 15/16	4 3/8	8 13/16	5 13/32	13/16	4 3/4	1 39/64	1 1/4	2 3/4	2.5630	1.0000	UC 213-40	T 213	6.9
213		65	70	26	44	167	151	111	224	137	21	121	41	32	70	65.1	25.4	213		6.9
UCT 214-43	2 11/16		2 3/4	1 1/32	1 13/16	6 9/16	5 15/16	4 3/8	8 13/16	5 13/32	13/16	4 3/4	1 39/64	1 1/4	2 3/4	2.9370	1.1890	UC 214-43	T 214	7.0
214-44	2 3/4		70	26	46	167	151	111	224	137	21	121	41	32	70	74.6	30.2	214-44		7.0
214		70																214		7.0
UCT 215-46	2 7/8																	UC 215-46		7.3
215-47	2 15/16		2 3/4	1 1/32	1 7/8	6 9/16	5 15/16	4 3/8	9 1/8	5 1/2	13/16	4 3/4	1 39/64	1 1/4	2 3/4	3.0630	1.3110	215-47	T 215	7.3
215		75	70	26	48	167	151	111	232	140	21	121	41	32	70	77.8	33.3	215		7.3
215-48	3																	215-48		7.3
UCT 216		80	2 3/4	1 1/32	2	7 1/4	6 1/2	4 3/8	9 1/4	5 1/2	13/16	4 3/4	1 39/64	1 1/4	2 3/4	3.2520	1.3110	UC 216	T 216	8.2
			70	26	51	184	165	111	235	140	21	121	41	32	70	82.6	33.3			8.2
UCT 217-52	3 1/4		2 7/8	1 3/16	2 1/8	7 25/32	6 13/16	4 7/8	10 1/4	6 3/8	1 5/32	6 3/16	1 57/64	1 1/2	2 7/8	3.3740	1.3425	UC 217-52	T 217	11.0
217		85	73	30	54	198	173	124	260	162	29	157	48	38	73	85.7	34.1	217		11.0
UCT 218-56	3 1/2		3 5/32	1 3/16	2 5/32	8 15/32	7 15/32	5 1/8	10 13/16	6 11/16	1 3/16	5 1/2	1 57/64	1 9/16	3 5/32	3.7795	1.5630	UC 218-56	T 218	14.0
218		90	80	30	55	215	190	130	275	170	30	140	48	40	80	96	39.7	218		14.0

TAKE-UP TYPE UNITS

UCTX

(Cylindrical bore)

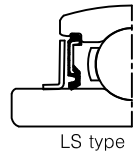
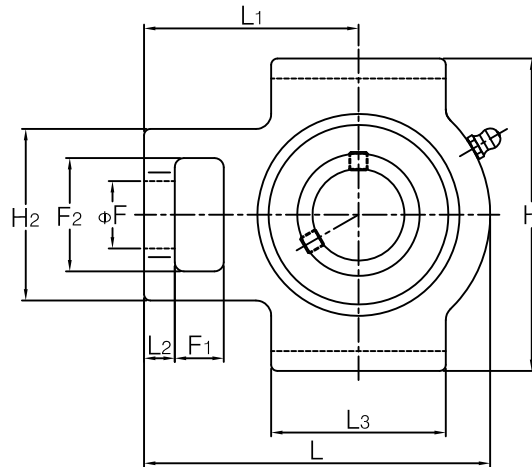
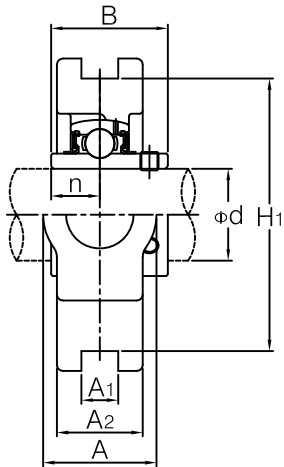


Unit No.	Shaft Dia.		Dimensions (in. (mm))														Bearing No.	Housing No.	Weight (kgf)	
	(in.)	(mm)	A	A ₁	A ₂	H	H ₁	H ₂	L	L ₁	L ₂	L ₃	F	F ₁	F ₂	B				n
UCT X05-13 X05-14 X05-15 X05 X05-16	13/16 7/8 15/16 1	25	115/32 37	15/32 12	13/32 28	41/32 102	31/2 89	27/32 56	47/16 113	23/4 70	13/32 10	21/4 57	55/64 22	5/8 16	115/32 37	1.5000 38.1	0.6260 15.9	UC X05-13 X05-14 X05-15 X05 X05-16	T X05	1.4 1.4 1.4 1.4 1.4
UCT X06-17 X06-18 X06 X06-19 X06-20	11/16 11/8 13/16 11/4	30	115/32 37	15/32 12	13/16 30	41/32 102	31/2 89	217/32 64	53/32 129	31/16 78	1/2 13	217/32 64	55/64 22	5/8 16	115/32 37	1.6890 42.9	0.6890 17.5	UC X06-17 X06-18 X06 X06-19 X06-20	T X06	1.7 1.7 1.7 1.7 1.7
UCT X07-20 X07-21 X07-22 X07 X07-23	11/4 15/16 13/8 17/16	35	115/16 49	5/8 16	113/32 36	41/2 114	41/64 102	39/32 83	521/32 144	315/32 88	19/32 15	39/32 83	19/64 29	3/4 19	115/16 49	1.9370 49.2	0.7480 19	UC X07-20 X07-21 X07-22 X07 X07-23	T X07	2.7 2.7 2.7 2.7 2.7
UCT X08-24 X08-25 X08	11/2 19/16	40	115/16 49	5/8 16	113/32 36	419/32 117	41/64 102	39/32 83	521/32 144	37/16 87	19/32 15	39/32 83	19/64 29	3/4 19	115/16 49	1.9370 49.2	0.7480 19	UC X08-24 X08-25 X08	T X08	2.6 2.6 2.6
UCT X09-26 X09-27 X09-28 X09	15/8 111/16 13/4	45	115/16 49	5/8 16	11/2 38	419/32 117	41/64 102	39/32 83	57/8 149	317/32 90	5/8 16	33/8 86	19/64 29	3/4 19	115/16 49	2.0315 51.6	0.7480 19	UC X09-26 X09-27 X09-28 X09	T X09	2.9 2.9 2.9 2.9
UCT X10-30 X10-31 X10 X10-32	17/8 115/16 2	50	217/32 64	55/64 22	121/32 42	53/4 146	51/8 130	41/32 102	623/32 171	49/16 106	3/4 19	33/4 95	13/8 35	63/64 25	217/32 64	2.1890 55.6	0.8740 22.2	UC X10-30 X10-31 X10 X10-32	T X10	4.4 4.4 4.4 4.4
UCT X11-31 X11-32 X11-34 X11 X11-35	115/16 2 21/8 23/16	55	217/32 64	55/64 22	121/32 42	53/4 146	51/8 130	41/32 102	75/8 194	411/16 119	3/4 19	41/32 102	13/8 35	11/4 32	217/32 64	2.5630 65.1	1.0000 25.4	UC X11-31 X11-32 X11-34 X11 X11-35	T X11	5.3 5.3 5.3 5.3 5.3
UCT X12-36 X12-37 X12 X12-38 X12-39	21/4 25/16 23/8 27/16	60	23/4 70	11/32 26	17/8 48	69/16 167	515/16 151	43/8 111	813/16 224	513/32 137	13/16 21	43/4 121	139/64 41	11/4 32	23/4 70	2.5630 65.1	1.0000 25.4	UC X12-36 X12 X12-37 X12-38 X12-39	T X12	7.4 7.4 7.4 7.4 7.4
UCT X13-40 X13	21/2	65	23/4 70	11/32 26	17/8 48	69/16 167	515/16 151	43/8 111	813/16 224	513/32 137	13/16 21	43/4 121	139/64 41	11/4 32	23/4 70	2.9370 74.6	1.1890 30.2	UC X13-40 X13	T X13	7.6 7.6
UCT X14-43 X14-44 X14	211/16 23/4	70	23/4 70	11/32 26	17/8 48	69/16 167	515/16 151	43/8 111	91/8 232	51/2 140	13/16 21	43/4 121	139/64 41	11/4 32	23/4 70	3.0630 77.8	1.3110 33.3	UC X14-43 X14-44 X14	T X14	7.9 7.9 7.9
UCT X15-47 X15 X15-48	215/16 3	75	23/4 70	17/64 28	17/8 48	71/4 184	61/2 165	43/8 111	91/4 235	51/2 140	13/16 21	43/4 121	139/64 41	11/4 32	23/4 70	3.2520 82.6	1.3110 33.3	UC X15-47 X15 X15-48	T X15	8.7 8.7 8.7
UCT X16		80	27/8 73	17/64 28	21/8 54	725/32 198	613/16 173	47/8 124	101/4 260	63/8 162	13/32 28	63/16 157	157/64 48	11/2 38	27/8 73	3.3740 85.7	1.3425 34.1	UC X16	T X16	11.7 11.7
UCT X17-52 X17 X17-55	31/4 37/16	85	27/8 73	17/64 28	21/8 54	725/32 198	613/16 173	47/8 124	101/4 260	63/8 162	13/32 28	63/16 157	157/64 48	11/2 38	27/8 73	3.7795 96	1.5630 39.7	UC X17 X17-52 X17-55	T X17	11.7 11.7 11.7

TAKE-UP TYPE UNITS

UCT3

(Cylindrical bore)

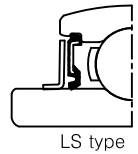
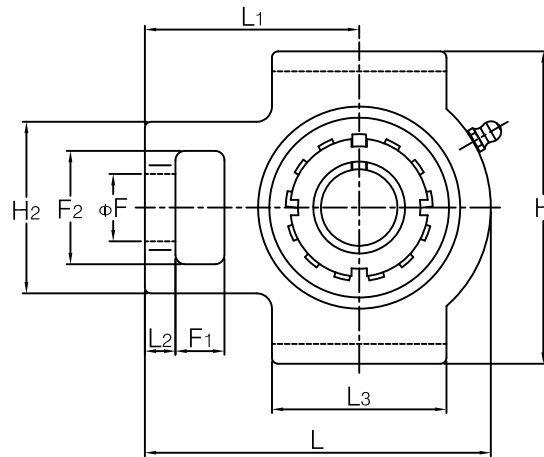
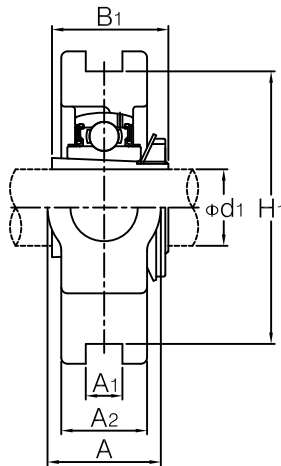


Unit No.	Shaft Dia.		Dimensions (in.) (mm)														Bearing No.	Housing No.	Weight (kgf)	
	d (in.)	d (mm)	A	A1	A2	H	H1	H2	L	L1	L2	L3	F	F1	F2	B				n
UCT 305 305-16	1	25	1 ¹³ / ₃₂ 36	15 ³² / ₁₂	1 ¹³ / ₃₂ 26	3 ¹ / ₂ 89	3 ⁵ / ₃₂ 80	2 ⁷ / ₁₆ 62	4 ¹³ / ₁₆ 122	3 76	15 ³² / ₁₂	2 ⁹ / ₁₆ 65	1 ¹³ / ₃₂ 26	5/8 16	1 ¹³ / ₃₂ 36	1.4961 38	0.5906 15	UC 305 305-16	T 305	1.4 1.4
UCT 306-18 306	1 ¹ / ₈	30	1 ⁵ / ₈ 41	5/8 16	1 ³ / ₃₂ 28	3 ¹⁵ / ₁₆ 100	3 ³⁵ / ₆₄ 90	2 ³ / ₄ 70	5 ¹³ / ₃₂ 137	3 ¹¹ / ₃₂ 85	9/16 14	2 ²⁹ / ₃₂ 74	1 ⁷ / ₆₄ 28	23/32 18	1 ⁵ / ₈ 41	1.6929 43	0.6693 17	UC 306-18 306	T 306	1.8 1.8
UCT 307-20 307-22 307 307-23	1 ¹ / ₄ 1 ³ / ₈ 1 ⁷ / ₁₆	35	1 ²⁵ / ₃₂ 45	5/8 16	1 ¹ / ₄ 32	4 ³ / ₈ 111	3 ¹⁵ / ₁₆ 100	2 ¹⁵ / ₁₆ 75	5 ²⁹ / ₃₂ 150	3 ¹¹ / ₁₆ 94	19/32 15	3 ⁵ / ₃₂ 80	1 ³ / ₁₆ 30	25/32 20	1 ²⁵ / ₃₂ 45	1.8897 48	0.7480 19	UC 307-20 307-22 307 307-23	T 307	2.3 2.3 2.3 2.3
UCT 308-24 308	1 ¹ / ₂	40	1 ³¹ / ₃₂ 50	45/64 18	1 ¹¹ / ₃₂ 34	4 ⁷ / ₈ 124	4 ¹³ / ₃₂ 112	3 ⁹ / ₃₂ 83	6 ³ / ₈ 162	3 ¹⁵ / ₁₆ 100	2 ¹ / ₃₂ 17	3 ¹ / ₂ 89	1 ¹⁷ / ₆₄ 32	7/8 22	1 ³¹ / ₃₂ 50	2.0472 52	0.7480 19	UC 308-24 308	T 308	3.0 3.0
UCT 309-28 309	1 ³ / ₄	45	2 ⁵ / ₃₂ 55	45/64 18	1 ¹ / ₂ 38	5 ⁷ / ₁₆ 138	4 ⁵⁹ / ₆₄ 125	3 ¹⁷ / ₃₂ 90	7 178	4 ¹¹ / ₃₂ 110	23/32 18	3 ¹³ / ₁₆ 97	1 ¹¹ / ₃₂ 34	15/16 24	2 ⁵ / ₃₂ 55	2.2441 57	0.8661 22	UC 309-28 309	T 309	4.1 4.1
UCT 310-31 310	1 ¹⁵ / ₁₆	50	2 ¹³ / ₃₂ 61	25/32 20	1 ⁹ / ₁₆ 40	5 ¹⁵ / ₁₆ 151	5 ³³ / ₆₄ 140	3 ²⁷ / ₃₂ 98	7 ¹⁷ / ₃₂ 191	4 ¹⁹ / ₃₂ 117	25/32 20	4 ³ / ₁₆ 106	1 ²⁹ / ₆₄ 37	1 ¹ / ₁₆ 27	2 ¹³ / ₃₂ 61	2.4015 61	0.8661 22	UC 310-31 310	T 310	4.9 4.9
UCT 311-32 311	2	55	2 ¹⁹ / ₃₂ 66	55/64 22	1 ²³ / ₃₂ 44	6 ¹³ / ₃₂ 163	5 ²⁹ / ₃₂ 150	4 ¹ / ₈ 105	8 ⁵ / ₃₂ 207	5 127	1 ³ / ₁₆ 21	4 ¹⁷ / ₃₂ 115	1 ¹⁷ / ₃₂ 39	1 ⁵ / ₃₂ 29	2 ¹⁹ / ₃₂ 66	2.5984 66	0.9842 25	UC 311-32 311	T 311	6.1 6.1
UCT 312		60	2 ²⁵ / ₃₂ 71	55/64 22	1 ¹³ / ₁₆ 46	7 178	6 ¹⁹ / ₆₄ 160	4 ⁷ / ₁₆ 113	8 ²¹ / ₃₂ 220	5 ⁵ / ₁₆ 135	2 ⁹ / ₃₂ 23	4 ²⁷ / ₃₂ 123	1 ³⁹ / ₆₄ 41	1 ⁷ / ₃₂ 31	2 ²⁵ / ₃₂ 71	2.7953 71	1.0236 26	UC 312	T 312	7.6
UCT 313-40 313	2 ¹ / ₂	65	3 ⁵ / ₃₂ 80	1 ¹³ / ₃₂ 26	1 ³¹ / ₃₂ 50	7 ¹⁵ / ₃₂ 190	6 ¹¹ / ₁₆ 170	4 ⁹ / ₁₆ 116	9 ⁵ / ₈ 238	5 ³ / ₄ 146	6 ³ / ₆₄ 25	5 ⁹ / ₃₂ 134	1 ¹¹ / ₁₆ 43	1 ¹ / ₄ 32	2 ²⁵ / ₃₂ 71	2.9528 75	1.1811 30	UC 313-40 313	T 313	9.3 9.3
UCT 314-44 314	2 ³ / ₄	70	3 ¹⁷ / ₃₂ 90	1 ¹³ / ₃₂ 26	2 ¹ / ₁₆ 52	7 ¹⁵ / ₁₆ 202	7 ³ / ₃₂ 180	5 ¹ / ₈ 130	9 ²⁹ / ₃₂ 252	6 ³ / ₃₂ 155	6 ³ / ₆₄ 25	5 ¹ / ₂ 140	1 ¹³ / ₁₆ 46	1 ¹³ / ₃₂ 36	3 ¹¹ / ₃₂ 85	3.0709 78	1.2992 33	UC 314-44 314	T 314	11.1 11.1
UCT 315 315-48	3	75	3 ¹⁷ / ₃₂ 90	2 ⁵ / ₃₂ 26	2 ⁵ / ₃₂ 55	8 ¹ / ₂ 216	7 ⁹ / ₁₆ 192	5 ³ / ₁₆ 132	10 ⁵ / ₁₆ 262	6 ⁵ / ₁₆ 160	6 ³ / ₆₄ 25	5 ²⁹ / ₃₂ 150	1 ¹³ / ₁₆ 46	1 ¹³ / ₃₂ 36	3 ¹¹ / ₃₂ 85	3.2283 82	1.2598 32	UC 315 315-48	T 315	13 13
UCT 316		80	4 ¹ / ₃₂ 102	1 ³ / ₁₆ 30	2 ³ / ₈ 60	9 ¹ / ₁₆ 230	8 ¹ / ₃₂ 204	5 ²⁹ / ₃₂ 150	11 ³ / ₃₂ 282	6 ²⁷ / ₃₂ 174	1 ³ / ₃₂ 28	6 ⁵ / ₁₆ 160	2 ³ / ₃₂ 53	1 ²¹ / ₃₂ 42	3 ²⁷ / ₃₂ 98	3.3858 86	1.3386 34	UC 316	T 316	16.2
UCT 317		85	4 ¹ / ₃₂ 102	1 ¹⁷ / ₆₄ 32	2 ¹⁷ / ₃₂ 64	9 ⁷ / ₁₆ 240	8 ²⁷ / ₆₄ 214	5 ³¹ / ₃₂ 152	11 ²³ / ₃₂ 298	7 ⁷ / ₃₂ 183	1 ³ / ₁₆ 30	6 ¹¹ / ₁₆ 170	2 ³ / ₃₂ 53	1 ²¹ / ₃₂ 42	3 ²⁷ / ₃₂ 98	3.7795 96	1.5748 40	UC 317	T 317	19
UCT 318-56 318	3 ¹ / ₂	90	4 ¹¹ / ₃₂ 110	1 ¹⁷ / ₆₄ 32	2 ¹⁹ / ₃₂ 66	10 ¹ / ₃₂ 255	8 ³¹ / ₃₂ 228	6 ⁵ / ₁₆ 160	12 ⁹ / ₃₂ 312	7 ⁹ / ₁₆ 192	1 ³ / ₁₆ 30	6 ⁷ / ₈ 175	2 ¹ / ₄ 57	1 ¹³ / ₁₆ 46	4 ³ / ₁₆ 106	3.7795 96	1.5748 40	UC 318-56 318	T 318	21.6 21.6
UCT 319		95	4 ¹¹ / ₃₂ 110	1 ³ / ₈ 35	2 ²⁷ / ₃₂ 72	10 ⁵ / ₈ 270	9 ²⁹ / ₆₄ 240	6 ¹ / ₂ 165	12 ¹¹ / ₁₆ 322	7 ³ / ₄ 197	1 ⁷ / ₃₂ 31	7 ³ / ₃₂ 180	2 ¹ / ₄ 57	1 ¹³ / ₁₆ 46	4 ³ / ₁₆ 106	4.0551 103	1.6142 41	UC 319	T 319	24.9
UCT 320 320-64	4	100	4 ²³ / ₃₂ 120	1 ³ / ₈ 35	2 ¹⁵ / ₁₆ 75	11 ¹³ / ₃₂ 290	10 ¹⁵ / ₆₄ 260	6 ⁷ / ₈ 175	13 ¹⁹ / ₃₂ 345	8 ⁹ / ₃₂ 210	1 ¹ / ₄ 32	7 ⁷ / ₈ 200	2 ²¹ / ₆₄ 59	1 ⁷ / ₈ 48	4 ¹⁷ / ₃₂ 115	4.2519 108	1.6535 42	UC 320 320-64	T 320	30.7 30.7
UCT 321		105	4 ²³ / ₃₂ 120	1 ³ / ₈ 35	2 ¹⁵ / ₁₆ 75	11 ¹³ / ₃₂ 290	10 ¹⁵ / ₆₄ 260	6 ⁷ / ₈ 175	13 ¹⁹ / ₃₂ 345	8 ⁹ / ₃₂ 210	1 ¹ / ₄ 32	7 ⁷ / ₈ 200	2 ²¹ / ₆₄ 59	1 ⁷ / ₈ 48	4 ¹⁷ / ₃₂ 115	4.4062 112	1.7343 44	UC 321	T 321	36.7
UCT 322		110	5 ¹ / ₈ 130	1 ¹ / ₂ 80	3 ⁵ / ₃₂ 80	12 ¹⁹ / ₃₂ 320	11 ⁷ / ₃₂ 285	7 ⁹ / ₃₂ 185	15 ⁵ / ₃₂ 385	9 ¹ / ₄ 235	1 ¹ / ₂ 38	8 ¹⁵ / ₃₂ 215	2 ⁹ / ₁₆ 65	2 ¹ / ₁₆ 52	4 ²⁹ / ₃₂ 125	4.6063 117	1.8110 46	UC 322	T 322	39.7
UCT 324		120	5 ¹ / ₂ 140	1 ⁴⁹ / ₆₄ 45	3 ¹⁷ / ₃₂ 90	13 ³¹ / ₃₂ 355	12 ¹⁹ / ₃₂ 320	8 ⁹ / ₃₂ 210	10 ¹ / ₂ 432	10 ¹ / ₂ 267	1 ²¹ / ₃₂ 42	9 ¹ / ₁₆ 230	2 ³ / ₄ 70	2 ³ / ₈ 60	5 ¹ / ₂ 140	4.9606 126	2.0079 51	UC 324	T 324	54.4
UCT 326 326-82	5 ¹ / ₈	130	5 ²⁹ / ₃₂ 150	1 ³¹ / ₃₂ 50	3 ¹⁵ / ₁₆ 100	15 ⁵ / ₃₂ 385	13 ²⁵ / ₃₂ 350	8 ²¹ / ₃₂ 220	18 ⁵ / ₁₆ 465	11 ⁷ / ₃₂ 285	1 ²⁵ / ₃₂ 45	9 ⁷ / ₁₆ 240	2 ⁶¹ / ₆₄ 75	2 ⁹ / ₁₆ 65	5 ²⁹ / ₃₂ 150	5.3150 135	2.1260 54	UC 326 326-82	T 326	69.3 69.3
UCT 328 328-88	5 ¹ / ₂	140	6 ³ / ₃₂ 155	1 ³¹ / ₃₂ 50	3 ¹⁵ / ₁₆ 100	16 ¹¹ / ₃₂ 415	14 ⁶¹ / ₆₄ 380	9 ¹ / ₁₆ 230	20 ⁹ / ₃₂ 515	12 ¹³ / ₃₂ 315	1 ³¹ / ₃₂ 50	10 ¹ / ₃₂ 255	3 ⁵ / ₃₂ 80	2 ³ / ₄ 70	6 ⁵ / ₁₆ 160	5.7086 145	2.3228 59	UC 328 328-88	T 328	85.1 85.1

TAKE-UP TYPE UNITS

UKT2

(Tapered bore)

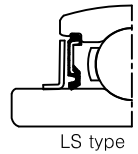
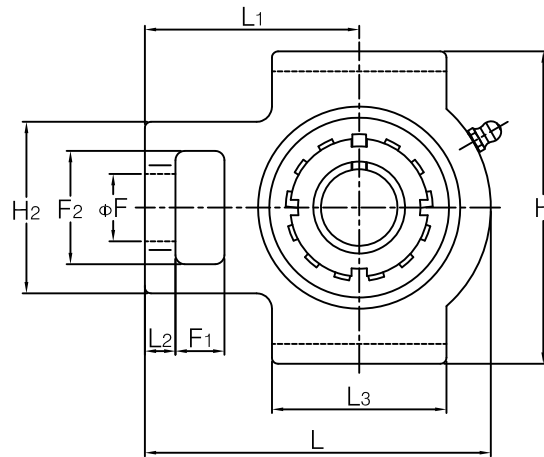
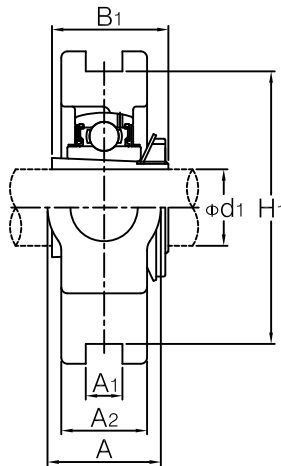


Unit No.	Shaft Dia		Dimensions (in.) (mm)														Bearing No.	Housing No.	Adapter Used	Weight (kgf)
	d1		A	A ₁	A ₂	H	H ₁	H ₂	L	L ₁	L ₂	L ₃	F	F ₁	F ₂	B ₁				
	(in.)	(mm)																		
UKT 205 205	3/4	20	1 1/4 32	15/32 12	15/16 24	3 1/2 89	2 63/64 76	2 51	3 13/16 97	2 7/16 62	13/32 10	2 51	3/4 19	5/8 16	1 1/4 32	1 3/8 35	UK 205	T 205	HE2305 H 2305	0.88 0.88
UKT 206 206 206 206	7/8 15/16 1	25	1 15/32 37	15/32 12	1 3/32 28	4 1/32 102	3 1/2 89	2 7/32 56	4 7/16 113	2 3/4 70	13/32 10	2 1/4 57	55/64 22	5/8 16	1 15/32 37	1 1/2 38	UK 206	T 206	HS2306 HA2306 H 2306 HE2306	1.3 1.3 1.3 1.3
UKT 207 207 207	1 1/8 1 3/16	30	1 15/32 37	15/32 12	1 3/16 30	4 1/32 102	3 1/2 89	2 17/32 64	5 3/32 129	3 1/16 78	1/2 13	2 17/32 64	55/64 22	5/8 16	1 15/32 37	1 11/16 43	UK 207	T 207	HS2307 H 2307 HA2307	1.7 1.7 1.7
UKT 208 208 208	1 1/4 1 3/8 35	35	1 15/16 49	5/8 16	1 5/16 33	4 1/2 114	4 1/64 102	3 9/32 83	5 21/32 144	3 15/32 88	5/8 16	3 9/32 83	1 9/64 29	3/4 19	1 15/16 49	1 13/16 46	UK 208	T 208	HE2308 HS2308 H 2308	2.5 2.5 2.5
UKT 209 209 209 209	1 7/16 1 1/2 1 5/8	40	1 15/16 49	5/8 16	1 3/8 35	4 19/32 117	4 1/64 102	3 9/32 83	5 21/32 144	3 7/16 87	5/8 16	3 9/32 83	1 9/64 29	3/4 19	1 15/16 49	1 31/32 50	UK 209	T 209	HA2309 HE2309 H 2309 HS2309	2.5 2.5 2.5 2.5
UKT 210 210 210	1 11/16 1 3/4 45	45	1 15/16 49	5/8 16	1 15/32 37	4 19/32 117	4 1/64 102	3 9/32 83	5 7/8 149	3 17/32 90	5/8 16	3 3/8 86	1 9/64 29	3/4 19	1 15/16 49	2 5/32 55	UK 210	T 210	HA2310 HE2310 H 2310	2.7 2.7 2.7
UKT 211 211 211 211	1 7/8 1 15/16 2	50	2 17/32 64	55/64 22	1 1/2 38	5 3/4 146	5 1/8 130	4 1/32 102	6 23/32 171	4 3/16 106	3/4 19	3 3/4 95	1 3/8 35	63/64 25	2 17/32 64	2 5/16 59	UK 211	T 211	HS2311 HA2311 H 2311 HE2311	4.1 4.1 4.1 4.1
UKT 212 212	2 1/8	55	2 17/32 64	55/64 22	1 21/32 42	5 3/4 146	5 1/8 130	4 1/32 102	7 5/8 194	4 11/16 119	3/4 19	4 1/32 102	1 3/8 35	1 1/4 32	2 17/32 64	2 7/16 62	UK 212	T 212	HS2312 H 2312	4.8 4.8
UKT 213 213 213 213	2 3/16 2 1/4 2 3/8	60	2 3/4 70	1 1/32 26	1 23/32 44	6 9/16 167	5 15/16 151	4 3/8 111	8 13/16 224	5 13/32 137	13/16 21	4 3/4 121	1 39/64 41	1 1/4 32	2 3/4 70	2 9/16 65	UK 213	T 213	HA2313 HE2313 H 2313 HS2313	6.8 6.8 6.8 6.8
UKT 215 215 215	2 7/16 2 1/2	65	2 3/4 70	1 1/32 26	1 7/8 48	6 9/16 167	5 15/16 151	4 3/8 111	9 1/8 232	5 1/2 140	13/16 21	4 3/4 121	1 39/64 41	1 1/4 32	2 3/4 70	2 7/8 73	UK 215	T 215	HA2315 HE2315 H 2315	7.4 7.4 7.4
UKT 216 216 216	2 11/16 2 3/4	70	2 3/4 70	1 1/32 26	2 51	7 1/4 184	6 1/2 165	4 3/8 111	9 1/4 235	5 1/2 140	13/16 21	4 3/4 121	1 39/64 41	1 1/4 32	2 3/4 70	3 1/16 78	UK 216	T 216	HA2316 HE2316 H 2316	8.5 8.5 8.5
UKT 217 217 217	2 15/16	75	2 7/8 73	1 3/16 30	2 1/8 54	7 25/32 198	6 13/16 173	4 7/8 124	10 1/4 260	6 3/8 162	1 5/32 29	6 3/16 157	1 57/64 48	1 1/2 38	2 7/8 73	3 7/32 82	UK 217	T 217	HA2317 H 2317 HE2317	11.2 11.2 11.2
UKT 218		80	3 5/32 80	1 3/16 30	2 5/32 55	8 15/32 215	7 15/32 190	5 1/8 130	10 13/16 275	6 11/16 170	1 3/16 30	5 1/2 140	1 57/64 48	1 9/16 40	3 5/32 80	3 3/8 86	UK 218	T 218	H 2318	14.0

TAKE-UP TYPE UNITS

UKTX

(Tapered bore)

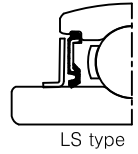
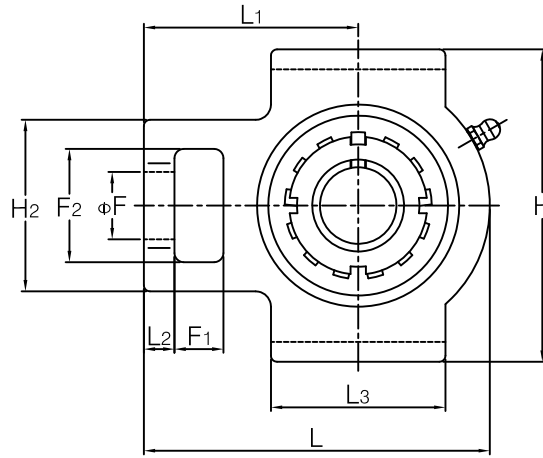
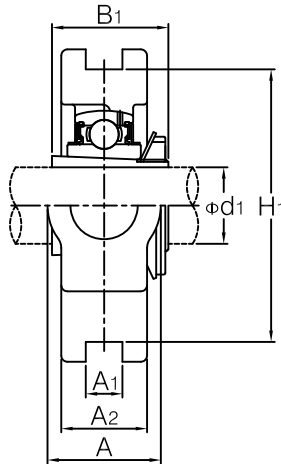


Unit No.	Shaft Dia		Dimensions (in.) (mm)														Bearing No.	Housing No.	Adapter Used	Weight (kgf)
	d1 (in.)	(mm)	A	A1	A2	H	H1	H2	L	L1	L2	L3	F	F1	F2	B1				
UKT X05 X05	3/4	20	1 15/32 37	15/32 12	13/32 28	4 1/32 102	3 1/2 89	2 7/32 56	4 7/16 113	2 3/4 70	13/32 10	2 1/4 57	55/64 22	5/8 16	1 15/32 37	1 3/8 35	UK X05	T X05	HE2305 H 2305	1.3 1.3
UKT X06 X06 X06 X06	7/8 15/16 1	25	1 15/32 37	15/32 12	13/16 30	4 1/32 102	3 1/2 89	2 17/32 64	5 3/32 129	3 1/16 78	1/2 13	2 17/32 64	55/64 22	5/8 16	1 15/32 37	1 1/2 38	UK X06	T X06	HS2306 HA2306 H 2306 HE2306	1.7 1.7 1.7 1.7
UKT X07 X07 X07	1 1/8 1 3/16	30	1 15/16 49	5/8 16	1 13/32 36	4 1/2 114	4 1/64 102	3 9/32 83	5 21/32 144	3 15/32 88	19/32 15	3 9/32 83	1 9/64 29	3/4 19	1 15/16 49	1 11/16 43	UK X07	T X07	HS2307 H 2307 HA2307	2.6 2.6 2.6
UKT X08 X08 X08	1 1/4 1 3/8	35	1 15/16 49	5/8 16	1 13/32 36	4 19/32 117	4 1/32 102	3 9/32 83	5 21/32 144	3 7/16 87	19/32 15	3 9/32 83	1 9/64 29	3/4 19	1 15/16 49	1 13/16 46	UK X08	T X08	HE2308 HS2308 H 2308	2.6 2.6 2.6
UKT X09 X09 X09 X09	1 7/16 1 1/2 1 5/8	40	1 15/16 49	5/8 16	1 1/2 38	4 19/32 117	4 1/64 102	3 9/32 83	5 7/8 149	3 17/32 90	5/8 16	3 3/8 86	1 9/64 29	3/4 19	1 15/16 49	1 31/32 50	UK X09	T X09	HA2309 H 2309 HS2309	2.9 2.9 2.9 2.9
UKT X10 X10 X10	1 11/16 1 3/4	45	2 17/32 64	55/64 22	1 21/32 42	5 3/4 146	5 1/8 130	4 1/32 102	6 23/32 171	4 3/16 106	3/4 19	3 3/4 95	1 3/8 35	63/64 25	2 17/32 64	2 5/32 55	UK X10	T X10	HA2310 HE2310 H 2310	4.4 4.4 4.4
UKT X11 X11 X11 X11	1 7/8 1 15/16 2	50	2 17/32 64	55/64 22	1 21/32 42	5 3/4 146	5 1/8 130	4 1/32 102	7 5/8 194	4 11/16 119	3/4 19	4 1/32 102	1 3/8 35	1 1/4 32	2 17/32 64	2 5/16 59	UK X11	T X11	HS2311 HA2311 H 2311 HE2311	5.1 5.1 5.1 5.1
UKT X12 X12	2 1/8	55	2 3/4 70	1 1/32 26	1 7/8 48	6 9/16 167	5 15/16 151	4 3/8 111	8 13/16 224	5 13/32 137	13/16 21	4 3/4 121	1 39/64 41	1 1/4 32	2 3/4 70	2 7/16 62	UK X12	T X12	HS2312 H 2312	7.3 7.3
UKT X13 X13 X13 X13	2 3/16 2 1/4 2 3/8	60	2 3/4 70	1 1/32 26	1 7/8 48	6 9/16 167	5 15/16 151	4 3/8 111	8 13/16 224	5 13/32 137	13/16 21	4 3/4 121	1 39/64 41	1 1/4 32	2 3/4 70	2 9/16 65	UK X13	T X13	HA2313 HE2313 H 2313 HS2313	7.2 7.2 7.2 7.2
UKT X15 X15 X15	2 1/2 2 5/8	65	2 3/4 70	1 7/64 28	1 7/8 48	7 1/4 184	6 1/2 165	4 3/8 111	9 1/4 235	5 1/2 140	13/16 21	4 3/4 121	1 39/64 41	1 1/4 32	2 3/4 70	2 7/8 73	UK X15	T X15	HE2315 H 2315 HS2315	8.4 8.4 8.4
UKT X16 X16	2 3/4	70	2 7/8 73	1 7/64 28	2 1/8 54	7 25/32 198	6 13/16 173	4 7/8 124	10 1/4 260	6 3/8 162	1 3/32 28	6 3/16 157	1 57/64 48	1 1/2 38	2 7/8 73	3 1/16 78	UK X16	T X16	HE2316 H 2316	11.8 11.8
UKT X17 X17 X17 X17	2 7/8 2 15/16 3	75	2 7/8 73	1 7/64 28	2 1/8 54	7 25/32 198	6 13/16 173	4 7/8 124	10 1/4 260	6 3/8 162	1 3/32 28	6 3/16 157	1 57/64 48	1 1/2 38	2 7/8 73	3 7/32 82	UK X17	T X17	HS2317 HA2317 H 2317 HE2317	11.4 11.4 11.4 11.4

TAKE-UP TYPE UNITS

UKT3

(Tapered bore)

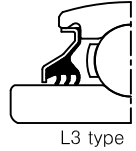
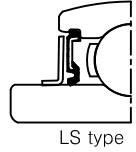
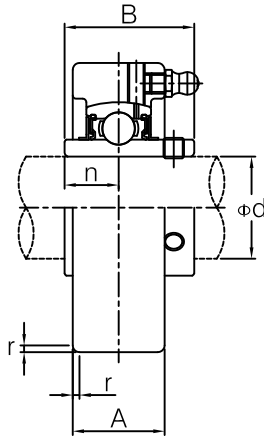


Unit No.	Shaft Dia		Dimensions (in.) (mm)													Bearing No.	Housing No.	Adapter Used	Weight (kgf)	
	d1 (in.)	(mm)	A	A1	A2	H	H1	H2	L	L1	L2	L3	F	F1	F2					B1
UKT 305 305	3/4	20	1 13/32 36	15/32 12	1 1/32 26	3 1/2 89	3 5/32 80	2 7/16 62	4 13/16 122	3 76	15/32 12	2 9/16 65	1 1/32 26	5/8 16	1 13/32 36	1.3780 35	UK 305	T 305	HE2305 H 2305	1.4 1.4
UKT 306 306 306	7/8 1	25	1 5/8 41	5/8 16	1 3/32 28	3 15/16 100	3 35/64 90	2 3/4 70	5 13/32 137	3 11/32 85	9/16 14	2 29/32 74	1 7/64 28	23/32 18	1 5/8 41	1.4961 38	UK 306	T 306	HS2306 H 2306 HE2306	1.8 1.8 1.8
UKT 307 307 307	1 1/8 1 7/16	35	1 25/32 45	5/8 16	1 1/4 32	4 3/8 111	3 15/16 100	2 15/16 75	5 29/32 150	3 11/16 94	19/32 15	3 5/32 80	1 3/16 30	25/32 20	1 25/32 45	1.6929 43	UK 307	T 307	HS2307 H 2307 HA2307	2.3 2.3 2.3
UKT 308 308 308	1 1/4 1 3/8	35	1 31/32 50	45/64 18	1 11/32 34	4 7/8 124	4 13/32 112	3 9/32 83	6 3/8 162	3 15/16 100	21/32 17	3 1/2 89	1 17/64 32	7/8 22	1 31/32 50	1.8110 46	UK 308	T 308	HE2308 HS2308 H 2308	3.0 3.0 3.0
UKT 309 309 309	1 1/2 1 5/8	40	2 5/32 55	45/64 18	1 1/2 38	5 7/16 138	4 59/64 125	3 17/32 90	7 178	4 11/32 110	23/32 18	3 13/16 97	1 11/31 34	15/16 24	2 5/32 55	1.9685 50	UK 309	T 309	HE2309 H 2309 HS2309	4.1 4.1 4.1
UKT 310 310 310	1 11/16 1 3/4	45	2 13/32 61	25/32 20	1 9/16 40	5 15/16 151	5 33/64 140	3 27/32 98	7 17/32 191	4 19/32 117	25/32 20	4 3/16 106	1 29/64 37	1 1/16 27	2 13/32 61	2.1654 55	UK 310	T 310	HA2310 HE2310 H 2310	4.9 4.9 4.9
UKT 311 311 311	1 7/8 2	50	2 19/32 66	55/64 22	1 23/32 44	6 13/32 163	5 29/32 150	4 1/8 105	8 5/32 207	5 127	13/16 21	4 17/32 115	1 17/32 39	1 5/32 29	2 19/32 66	2.3228 59	UK 311	T 311	HS2311 H 2311 HE2311	6.1 6.1 6.1
UKT 312 312	2 1/8	55	2 25/32 71	55/64 22	1 13/16 46	7 178	6 19/64 160	4 7/16 113	8 21/32 220	5 5/16 135	29/32 23	4 27/32 123	1 39/64 41	1 7/32 31	2 25/32 71	2.4409 62	UK 312	T 312	HS2312 H 2312	7.6 7.6
UKT 313 313 313	2 1/4 2 3/8	60	3 5/32 80	1 1/32 26	1 31/32 50	7 15/32 190	6 11/16 170	4 9/16 116	9 3/8 238	5 3/4 146	63/64 25	5 9/32 134	1 11/16 43	1 1/4 32	2 25/32 71	2.5591 65	UK 313	T 313	HE2313 H 2313 HS2313	9.3 9.3 9.3
UKT 315 315	2 1/2	65	3 17/32 90	1 1/32 26	2 5/32 55	8 1/2 216	7 9/16 192	5 3/16 132	10 5/16 262	6 5/16 160	63/64 25	5 29/32 150	1 13/16 46	1 13/32 36	3 11/32 85	2.8740 73	UK 315	T 315	HE2315 H 2315	13 13
UKT 316 316	2 3/4	70	4 1/32 102	13/16 30	2 3/8 60	9 1/16 230	8 1/32 204	5 29/32 150	11 3/32 282	6 27/32 174	1 3/32 28	6 5/16 160	2 3/32 53	1 21/32 42	3 27/32 98	3.0709 78	UK 316	T 316	HE2316 H 2316	16.2 16.2
UKT 317 317	3	75	4 1/32 102	1 17/64 32	2 17/32 64	9 7/16 240	8 27/64 214	5 31/32 152	11 23/32 298	7 7/32 183	1 3/16 30	6 11/16 170	2 3/32 53	1 21/32 42	3 27/32 98	3.2283 82	UK 317	T 317	H 2317 HE2317	19 19
UKT 318		80	4 11/32 110	1 17/64 32	2 19/32 66	10 1/32 255	8 31/32 228	6 5/16 160	12 9/32 312	7 9/16 192	1 3/16 30	6 7/8 175	2 1/4 57	1 13/16 46	4 3/16 106	3.3858 86	UK 318	T 318	H 2318	21.6
UKT 319 319	3 1/4	85	4 11/32 110	1 3/8 35	2 27/32 72	10 5/8 270	9 29/64 240	6 1/2 165	12 11/16 322	7 3/4 197	1 7/32 31	7 3/32 180	2 1/4 57	1 13/16 46	4 3/16 106	3.5433 90	UK 319	T 319	HE2319 H 2319	24.9 24.9
UKT 320 320	3 1/2	90	4 23/32 120	1 3/8 35	2 15/16 75	11 13/32 290	10 15/64 260	6 7/8 175	13 19/32 345	8 9/32 210	1 1/4 32	7 7/8 200	2 21/64 59	1 7/8 48	4 17/32 115	3.8189 97	UK 320	T 320	HE2320 H 2320	30.7 30.7
UKT 322 322	4	100	5 1/8 130	1 1/2 38	3 5/32 80	12 19/32 320	11 7/32 285	7 9/32 185	15 5/32 385	9 1/4 235	38	8 15/32 215	2 9/16 65	2 1/16 52	4 29/32 125	4.1339 105	UK 322	T 322	H 2322 HE2322	39.7 39.7
UKT 324 324	4 7/16	110	5 1/2 140	1 49/64 45	3 17/32 90	13 31/32 355	12 19/32 320	8 3/32 210	17 432	10 1/2 267	1 21/32 42	9 1/16 230	2 3/4 70	2 3/8 60	5 1/2 140	4.4094 112	UK 324	T 324	H 2324 HA2324	54.4 54.4
UKT 326 326	4 1/2	115	5 29/32 150	1 31/32 50	3 15/16 100	13 25/32 385	13 25/32 350	8 21/32 220	18 5/16 465	11 7/32 285	1 25/32 45	9 7/16 240	2 61/64 75	2 9/16 65	5 29/32 150	4.7638 121	UK 326	T 326	HE2326 H 2326	69.3 69.3
UKT 328 328	4 15/16	125	6 3/32 155	1 31/32 50	3 15/16 100	16 11/32 415	14 61/64 380	9 1/16 230	20 9/32 515	12 13/32 315	1 31/32 50	10 1/32 255	3 5/32 80	2 3/4 70	6 5/16 160	5.1575 131	UK 328	T 328	H 2328 HA2328	85.1 85.1

CARTRIDGE TYPE UNITS

UCC2

(Cylindrical bore)

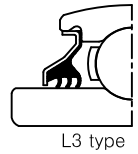
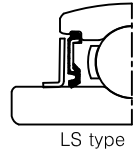
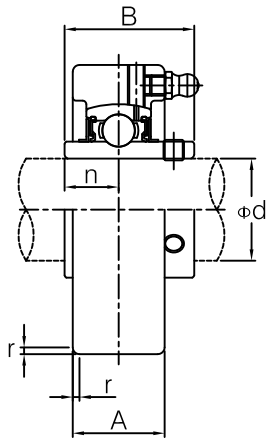


Unit No.	Shaft Dia.		Dimensions (in./mm)					Bearing No.	Housing No.	Weight (kgf)
	d (in.)	d (mm)	H	A	r	B	n			
UCC 201								UC 201		0.52
201-8	1/2	12						201-8		0.52
202		15						202		0.50
202-10	5/8		2.8346	25/32		1.2205	0.5000	202-10	C 204	0.50
203		17	72	20	1.5	31	12.7	203		0.49
203-11	11/16							203-11		0.49
204-12	3/4							204-12		0.47
204		20						204		0.47
UCC 205-13	13/16							UC 205-13		0.64
205-14	7/8		3.1496	55/64		1.3425	0.5630	205-14	C 205	0.64
205-15	15/16		80	22	1.5	34.1	14.3	205-15		0.64
205		25						205		0.64
205-16	1							205-16		0.64
UCC 206-17	1 1/16							UC 206-17		0.81
206-18	1 1/8		3.3465	1 1/16		1.5000	0.6260	206-18	C 206	0.81
206		30	85	27	1.5	38.1	15.9	206		0.81
206-19	1 3/16							206-19		0.81
206-20	1 1/4							206-20		0.81
UCC 207-20	1 1/4							UC 207-20		0.93
207-21	1 5/16		3.5433	1 7/64		1.6890	0.6890	207-21	C 207	0.93
207-22	1 3/8		90	28	2	42.9	17.5	207-22		0.93
207		35						207		0.93
207-23	1 7/16							207-23		0.93
UCC 208-24	1 1/2		3.9370	1 3/16		1.9370	0.7480	UC 208-24		1.2
208-25	1 9/16		100	30	2	49.2	19	208-25	C 208	1.2
208		40						208		1.2
UCC 209-26	1 5/8							UC 209-26		1.5
209-27	1 11/16		4.3307	1 7/32		1.9370	0.7480	209-27	C 209	1.5
209-28	1 3/4		110	31	2	49.2	19	209-28		1.5
209		45						209		1.5
UCC 210-30	1 7/8							UC 210-30		2.0
210-31	1 5/16		4.7244	1 19/64		2.0315	0.7480	210-31	C 210	2.0
210		50	120	33	2	51.6	19	210		2.0
210-32	2							210-32		2.0
UCC 211-31	1 15/16							UC 211-31		2.2
211-32	2		4.9213	1 3/8		2.1890	0.8740	211-32	C 211	2.2
211-34	2 1/8		125	35	2.5	55.6	22.2	211-34		2.2
211		55						211		2.2
211-35	2 3/16							211-35		2.2
UCC 212-36	2 1/4							UC 212-36		2.6
212-37	2 5/16		5.1181	1 1/2		2.5630	1.0000	212-37	C 212	2.6
212		60	130	38	2.5	65.1	25.4	212		2.6
212-38	2 3/8							212-38		2.6
212-39	2 7/16							212-39		2.6
UCC 213-40	2 1/2		5.5118	1 37/64		2.5630	1.0000	UC 213-40		3.0
213		65	140	40	2.5	65.1	25.4	213	C 213	3.0

CARTRIDGE TYPE UNITS

UCCX

(Cylindrical bore)

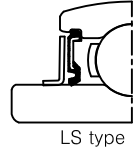
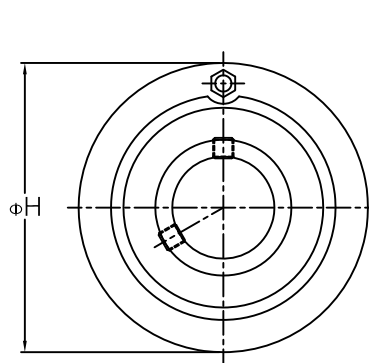
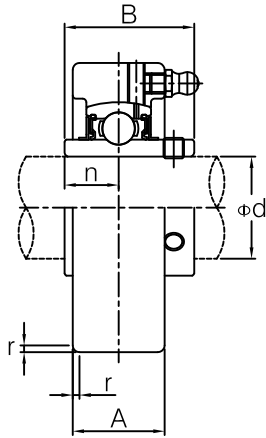


Unit No.	Shaft Dia.		Dimensions (in./mm)					Bearing No.	Housing No.	Weight (kgf)
	d (in.)	d (mm)	H	A	r	B	n			
UCC X05-13 X05-14 X05-15 X05 X05-16	13/16 7/8 15/16 1	25	3.5433 90	11/16 27	1.5	1.5000 38.1	0.6260 15.9	UC X05-13 X05-14 X05-15 X05 X05-16	C X05	1.0 1.0 1.0 1.0 1.0
UCC X06-17 X06-18 X06 X06-19 X06-20	11/16 11/8 13/16 11/4	30	3.9370 100	13/16 30	2	1.6890 42.9	0.6890 17.5	UC X06-17 X06-18 X06 X06-19 X06-20	C X06	1.3 1.3 1.3 1.3 1.3
UCC X07-20 X07-21 X07-22 X07 X07-23	11/4 15/16 13/8 17/16	35	4.3307 110	111/32 34	2	1.9370 49.2	0.7480 19	UC X07-20 X07-21 X07-22 X07 X07-23	C X07	1.7 1.7 1.7 1.7 1.7
UCC X08-24 X08-25 X08	11/2 19/16	40	4.7244 120	11/2 38	2	1.9370 49.2	0.7480 19	UC X08-24 X08-25 X08	C X08	2.1 2.1 2.1
UCC X09-26 X09-27 X09-28 X09	15/8 111/16 13/4	45	4.7244 120	11/2 38	2	2.0315 51.6	0.7480 19	UC X09-26 X09-27 X09-28 X09	C X09	2.2 2.2 2.2 2.2
UCC X10-30 X10-31 X10 X10-32	17/8 115/16 2	50	5.1181 130	137/64 40	2.5	2.1890 55.6	0.8740 22.2	UC X10-30 X10-31 X10 X10-32	C X10	2.8 2.8 2.8 2.8
UCC X11-31 X11-32 X11-34 X11 X11-35	115/16 2 21/8 23/16	55	5.9055 150	121/32 42	2.5	2.5630 65.1	1.0000 25.4	UC X11-31 X11-32 X11-34 X11 X11-35	C X11	4.0 4.0 4.0 4.0 4.0
UCC X12-36 X12-37 X12-38 X12-39	21/4 25/16 23/8 27/16	60	6.2992 160	147/64 44	2.5	2.5630 65.1	1.0000 25.4	UC X12-36 X12 X12-37 X12-38 X12-39	C X12	4.6 4.6 4.6 4.6 4.6

CARTRIDGE TYPE UNITS

UCC3

(Cylindrical bore)

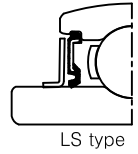
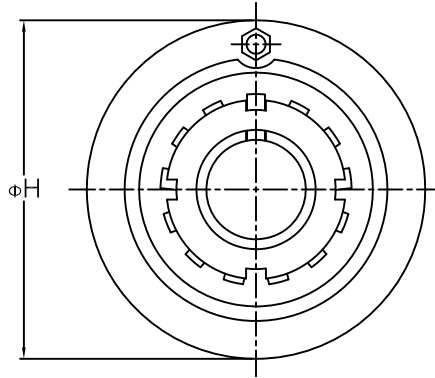
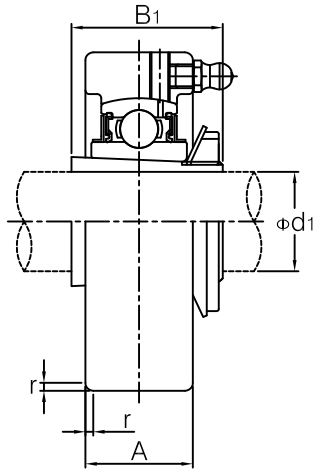


Unit No.	Shaft Dia.		Dimensions (in./mm)					Bearing No.	Housing No.	Weight (kgf)
	d (in.)	d (mm)	H	A	r	B	n			
UCC 305 305-16	1	25	3.5433 90	1 ¹¹ / ₃₂ 26	2	1.4961 38	0.5906 15	UC 305 305-16	C 305	1.5 1.5
UCC 306-18 306	1 ¹ / ₈	30	3.9370 100	1 ⁷ / ₆₄ 28	2	1.6929 43	0.6693 17	UC 306-18 306	C 306	1.7 1.7
UCC 307-20 307-22 307 307-23	1 ¹ / ₄ 1 ³ / ₈ 1 ⁷ / ₁₆	35	4.3307 110	1 ¹⁷ / ₆₄ 32	3	1.8897 48	0.7480 19	UC 307-20 307-22 307 307-23	C 307	2.2 2.2 2.2 2.2
UCC 308-24 308	1 ¹ / ₂	40	4.7244 120	1 ¹¹ / ₃₂ 34	3	2.0472 52	0.7480 19	UC 308-24 308	C 308	2.2 2.2
UCC309-28 309	1 ³ / ₄	45	5.1181 130	1 ¹ / ₂ 38	3	2.2441 57	0.8661 22	UC 309-28 309	C 309	2.8 2.8
UCC 310-31 310	1 ¹⁵ / ₁₆	50	5.5118 140	1 ³⁷ / ₆₄ 40	3	2.4015 61	0.8661 22	UC 310-31 310	C 310	3.2 3.2
UCC 311-32 311	2	55	5.9055 150	1 ⁴⁷ / ₆₄ 44	3	2.5984 66	0.9842 25	UC 311-32 311	C 311	3.9 3.9
UCC 312		60	6.2992 160	1 ¹³ / ₁₆ 46	3	2.7953 71	1.0236 26	UC 312	C 312	4.8
UCC 313-40 313	2 ¹ / ₂	65	6.6929 170	1 ³¹ / ₃₂ 50	3	2.9528 75	1.1811 30	UC 313-40 313	C 313	5.7 5.7
UCC 314-44 314	2 ³ / ₄	70	7.0866 180	2 ³ / ₆₄ 52	3	3.0709 78	1.2992 33	UC 314-44 314	C 314	6.7 6.7
UCC 315 315-48	3	75	7.4803 190	2 ¹¹ / ₆₄ 55	4	3.2283 82	1.2598 32	UC 315 315-48	C 315	7.8 7.8
UCC 316		80	7.8740 200	2 ²³ / ₆₄ 60	4	3.3858 86	1.3386 34	UC 316	C 316	9.2
UCC 317		85	8.4646 215	2 ³³ / ₆₄ 64	4	3.7795 96	1.5748 40	UC 317	C 317	11.7
UCC 318-56 318	3 ¹ / ₂	90	8.8583 225	2 ¹⁹ / ₃₂ 66	4	3.7795 96	1.5748 40	UC 318-56 318	C 318	13.1 13.1
UCC 319		95	9.4488 240	2 ⁵³ / ₆₄ 72	4	4.0551 103	1.6142 41	UC 319	C 319	15.8
UCC 320 320-64	4	100	10.2362 260	2 ⁶¹ / ₆₄ 75	4	4.2519 108	1.6535 42	UC 320 320-64	C 320	19.6 19.6
UCC 321		105	10.2362 260	2 ⁶¹ / ₆₄ 75	4	4.4094 112	1.7323 44	UC 321	C 321	27.0
UCC 322		110	11.8110 300	3 ⁵ / ₃₂ 80	5	4.6063 117	1.8110 46	UC 322	C 322	29.2
UCC 324		120	12.5984 320	3 ³⁵ / ₆₄ 90	5	4.9606 126	2.0079 51	UC 324	C 324	35.9
UCC 326 326-82	5 ¹ / ₈	130	13.3858 340	3 ¹⁵ / ₁₆ 100	5	5.3150 135	2.1260 54	UC 326 326-82	C 326	43.0 43.0
UCC 328 328-88	5 ¹ / ₂	140	14.1732 360	3 ¹⁵ / ₁₆ 100	5	5.7086 145	2.3228 59	UC 328 328-88	C 328	52.9 52.9

CARTRIDGE TYPE UNITS

UKC2

(Tapered bore)

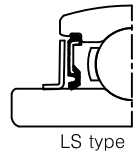
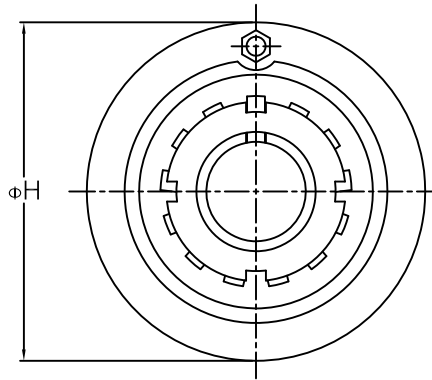
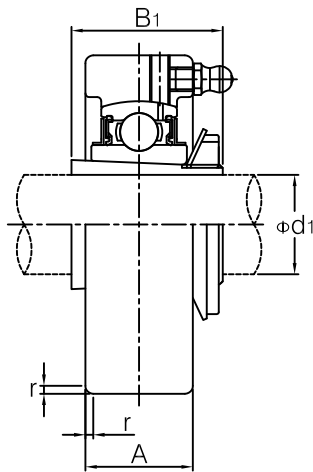


Unit No.	Shaft Dia.		Dimensions (in./mm)				Bearing No.	Housing No.	Adapter Used	Weight (kgf)
	d1		H	A	r	B1				
	(in.)	(mm)								
UKC 205 205	3/4	20	3.1496 80	55/64 22	1.5	13/8 35	UK 205	C 205	HE 2305 H 2305	0.68 0.68
UKC 206 206 206 206	7/8 15/16 1	25	3.3465 85	11/16 27	1.5	11/2 38	UK 206	C 206	HS 2306 HA 2306 H 2306 HE 2306	0.85 0.85 0.85 0.85
UKC 207 207 207	1 1/8 1 3/16	30	3.5433 90	1 7/64 28	2	1 11/16 43	UK 207	C 207	HS 2307 H 2307 HA 2307	0.97 0.97 0.97
UKC 208 208 208	1 1/4 1 3/8	35	3.9370 100	1 7/64 28	2	1 13/16 46	UK 208	C 208	HE 2308 HS 2308 H 2308	1.3 1.3 1.3
UKC 209 209 209 209	1 7/16 1 1/2 1 5/8	40	4.3307 110	1 7/32 31	2	1 31/32 50	UK 209	C 209	HA 2309 HE 2309 H 2309 HS 2309	1.6 1.6 1.6 1.6
UKC 210 210 210	1 11/16 1 3/4	45	4.7244 120	1 19/64 33	2	2 5/32 55	UK 210	C 210	HA 2310 HE 2310 H 2310	2.0 2.0 2.0
UKC 211 211 211 211	1 7/8 1 15/16 2	50	4.9213 125	1 3/8 35	2.5	2 5/16 59	UK 211	C 211	HS 2311 HA 2311 H 2311 HE 2311	2.3 2.3 2.3 2.3
UKC 212 212	2 1/8	55	5.1181 130	1 1/2 38	2.5	2 7/16 62	UK 212	C 212	HS 2312 H 2312	2.5 2.5
UKC 213 213 213 213	2 3/16 2 1/4 2 3/8	60	5.5118 140	1 37/64 40	2.5	2 9/16 65	UK 213	C 213	HA 2313 HE 2313 H 2313 HS 2313	3.0 3.0 3.0 3.0

CARTRIDGE TYPE UNITS

UKCX

(Tapered bore)

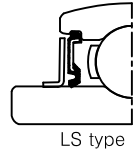
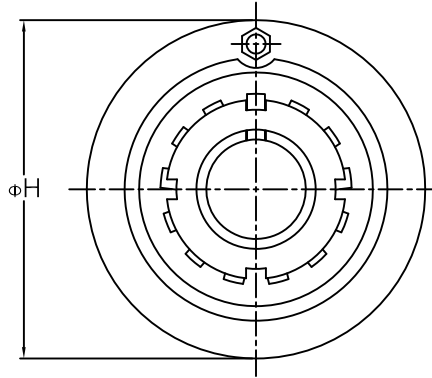
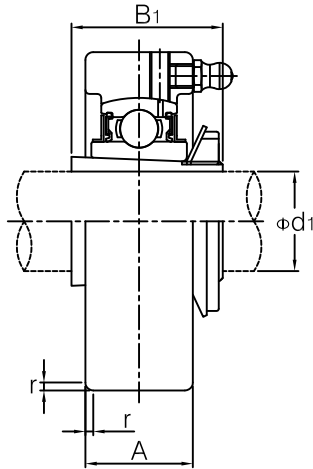


Unit No.	Shaft Dia.		Dimensions (in./mm)				Bearing No.	Housing No.	Adapter Used	Weight (kgf)
	d1		H	A	r	B1				
	(in.)	(mm)								
UKC X05 X05	3/4	20	3.5433 90	1 1/16 27	1.5	1 3/8 35	UK X05	C X05	HE 2305 H 2305	0.99 0.99
UKC X06 X06 X06 X06	7/8 15/16 1	25	3.9370 100	1 3/16 30	2	1 1/2 38	UK X06	C X06	HS 2306 HA 2306 H 2306 HE 2306	1.3 1.3 1.3 1.3
UKC X07 X07 X07	1 1/8 1 3/16	30	4.3307 110	1 11/32 34	2	1 11/16 43	UK X07	C X07	HS 2307 H 2307 HA 2307	1.7 1.7 1.7
UKC X08 X08 X08	1 1/4 1 3/8	35	4.7244 120	1 1/2 38	2	1 13/16 46	UK X08	C X08	HE 2308 HS 2308 H 2308	2.3 2.3 2.3
UKC X09 X09 X09 X09	1 7/16 1 1/2 1 5/8	40	4.7244 120	1 1/2 38	2	1 31/32 50	UK X09	C X09	HA 2309 HE 2309 H 2309 HS 2309	2.3 2.3 2.3 2.3
UKC X10 X10 X10	1 11/16 1 3/4	45	5.1181 130	1 37/64 40	2.5	2 5/32 55	UK X10	C X10	HA 2310 HE 2310 H 2310	2.8 2.8 2.8
UKC X11 X11 X11 X11	1 7/8 1 15/16 2	50	5.9055 150	1 21/32 42	2.5	2 5/16 59	UK X11	C X11	HS 2311 HA 2311 H 2311 HE 2311	3.8 3.8 3.8 3.8
UKC X12 X12	2 1/8	55	6.2992 160	1 47/64 44	2.5	2 7/16 62	UK X12	C X12	HS 2312 H 2312	4.4 4.4

CARTRIDGE TYPE UNITS

UKC3

(Tapered bore)

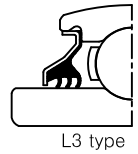
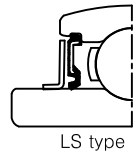
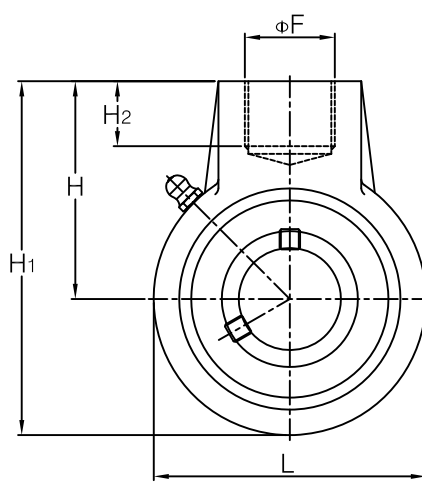
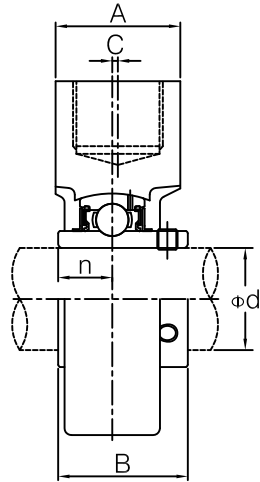


Unit No.	Shaft Dia.		Dimensions (in./mm)				Bearing No.	Housing No.	Adapter Used	Weight (kgf)
	d1		H	A	r	B1				
	(in.)	(mm)								
UKC 305 305	3/4	20	3.5433 90	1 ¹¹ / ₃₂ 26	2	1.3780 35	UK 305	C 305	HE 2305 H 2305	1.5 1.5
UKC 306 306 306	7/8 1	25	3.9370 100	1 ⁷ / ₆₄ 28	2	1.4961 38	UK 306	C 306	HS 2306 H 2306 HE 2306	1.7 1.7 1.7
UKC 307 307 307	1 ¹ / ₈ 1 ³ / ₁₆	30	4.3307 110	1 ¹⁷ / ₆₄ 32	3	1.6929 43	UK 307	C 307	HS 2307 H 2307 HA 2307	2.2 2.2 2.2
UKC 308 308 308	1 ¹ / ₄ 1 ³ / ₈	35	4.7244 120	1 ¹¹ / ₃₂ 34	3	1.8110 46	UK 308	C 308	HE 2308 HS 2308 H 2308	2.2 2.2 2.2
UKC 309 309 309	1 ¹ / ₂ 1 ⁵ / ₈	40	5.1181 130	1 ¹ / ₂ 38	3	1.9685 50	UK 309	C 309	HE 2309 H 2309 HS 2309	2.8 2.8 2.8
UKC 310 310 310	1 ¹¹ / ₁₆ 1 ³ / ₄	45	5.5118 140	1 ³⁷ / ₆₄ 40	3	2.1654 55	UK 310	C 310	HA 2310 HE 2310 H 2310	3.2 3.2 3.2
UKC 311 311 311	1 ⁷ / ₈ 2	50	5.9055 150	1 ⁴⁷ / ₆₄ 44	3	2.3228 59	UK 311	C 311	HS 2311 H 2311 HE 2311	3.9 3.9 3.9
UKC 312 312	2 ¹ / ₈	55	6.2992 160	1 ¹³ / ₁₆ 46	3	2.4409 62	UK 312	C 312	HS 2312 H 2312	4.8 4.8
UKC 313 313 313	2 ¹ / ₄ 2 ³ / ₈	60	6.6929 170	1 ³¹ / ₃₂ 50	3	2.5591 65	UK 313	C 313	HE 2313 H 2313 HS 2313	5.7 5.7 5.7
UKC 315 315	2 ¹ / ₂	65	7.4803 190	2 ¹¹ / ₆₄ 55	4	2.8740 73	UK 315	C 315	HE 2315 H 2315	7.8 7.8
UKC 316 316	2 ³ / ₄	70	7.8740 200	2 ²³ / ₆₄ 60	4	3.0709 78	UK 316	C 316	HE 2316 H 2316	9.2 9.2
UKC 317 317	3	75	8.4646 215	2 ³³ / ₆₄ 64	4	3.2283 82	UK 317	C 317	H 2317 HE 2317	11.7 11.7
UKC 318		80	8.8583 225	2 ¹⁹ / ₃₂ 66	4	3.3858 86	UK 318	C 318	H 2318	13.1
UKC 319 319	3 ¹ / ₄	85	9.4488 240	2 ⁵³ / ₆₄ 72	4	3.5433 90	UK 319	C 319	HE 2319 H 2319	15.8 15.8
UKC 320 320	3 ¹ / ₂	90	10.2362 260	2 ³¹ / ₆₄ 75	4	3.8189 97	UK 320	C 320	HE 2320 H 2320	19.6 19.6
UKC 322 322	4	100	11.8110 300	3 ⁵ / ₃₂ 80	5	4.1339 105	UK 322	C 322	H 2322 HE 2322	29.2 29.2
UKC 324 324	4 ⁷ / ₁₆	110	12.5984 320	3 ³⁵ / ₆₄ 90	5	4.4094 112	UK 324	C 324	H 2324 HA 2324	35.9 35.9
UKC 326 326	4 ¹ / ₂	115	13.3858 340	3 ¹⁵ / ₁₆ 100	6	4.7638 121	UK 326	C 326	HE 2326 H 2326	43.0 43.0
UKC 328 328	4 ¹⁵ / ₁₆	125	14.1732 360	3 ¹⁵ / ₁₆ 100	6	5.1575 131	UK 328	C 328	H 2328 HA 2328	52.9 52.9

HANGER TYPE UNITS

UCHA2

(Cylindrical bore)



Unit No.	Shaft Dia.		Dimensions (in./mm)									Bearing No.	Housing No.	Weight (kgf)
	d		H	A	L	H ₁	H ₂	F	C	B	n			
	(in.)	(mm)												
UCHA 201	1/2	12										UC 201		0.77
201-8												201-8		0.77
202		15										202		0.75
202-10	5/8	17	2 ³³ / ₆₄	1 ⁹ / ₁₆	2 ¹⁷ / ₃₂	3 ²⁵ / ₃₂	3/4	PF 3/4	0	1.2205	0.5000	202-10	HA 204	0.75
203			64	40	64	96	19			31	12.7	203		0.74
203-11	11/16											203-11		0.74
204-12	3/4	20										204-12		0.72
204												204		0.72
UCHA 205-13	13/16											UC 205-13		0.87
205-14	7/8											205-14		0.87
205-15	15/16	25	2 ³³ / ₆₄	1 ⁹ / ₁₆	3 ¹ / ₁₆	4 ¹ / ₁₆	3/4	PF 3/4	0	1.3425	0.5630	205-15	HA 205	0.87
205			64	40	78	103	19			34.1	14.3	205		0.87
205-16	1											205-16		0.87
UCHA 206-17	11/16											UC 206-17		0.83
206-18	11/8											206-18		0.83
206		30	2 ³³ / ₆₄	1 ⁹ / ₁₆	3 ⁵ / ₃₂	4 ³ / ₃₂	3/4	PF 3/4	0	1.5000	0.6260	206	HA 206	0.83
206-19	13/16		64	40	80	104	19			38.1	15.9	206-19		0.83
206-20	11/4											206-20		0.83
UCHA 207-20	11/4											UC 207-20		1.2
207-21	15/16											207-21		1.2
207-22	13/8		2 ³ / ₄	1 ⁹ / ₁₆	3 ⁵ / ₈	4 ⁹ / ₁₆	3/4	PF 3/4	0	1.6890	0.6890	207-22	HA 207	1.2
207		35	70	40	92	116	19			42.9	17.5	207		1.2
207-23	17/16											207-23		1.2
UCHA 208-24	11/2											UC 208-24		1.3
208-25	19/16											208-25		1.3
208		40	2 ⁷ / ₈	1 ⁹ / ₁₆	3 ¹⁵ / ₁₆	4 ²⁷ / ₃₂	3/4	PF 3/4	5/64	1.9370	0.7480	208	HA 208	1.3
			73	40	100	123	19		2	49.2	19			1.3
UCHA 209-26	15/8											UC 209-26		1.7
209-27	111/16											209-27		1.7
209-28	13/4											209-28		1.7
209		45	3 ¹⁵ / ₆₄	1 ⁷ / ₈	4 ¹ / ₄	5 ¹¹ / ₃₂	13/16	PF 1	13/64	1.9370	0.7480	209	HA 209	1.7
			82	48	108	136	21		5	49.2	19			1.7
UCHA 210-29	113/16											UC 210-29		2.1
210-30	17/8											210-30		2.1
210-31	115/16											210-31		2.1
210		50	3 ¹⁷ / ₆₄	1 ⁷ / ₈	4 ²¹ / ₃₂	5 ¹⁹ / ₃₂	13/16	PF 1	13/64	2.0315	0.7480	210	HA 210	2.1
210-32	2		83	48	118	142	21		5	51.6	19	210-32		2.1
UCHA 211-31	115/16											UC 211-31		2.8
211-32	2											211-32		2.8
211-34	21/8											211-34		2.8
211		55	3 ³ / ₄	2 ³ / ₈	4 ³¹ / ₃₂	5 ²⁹ / ₃₂	63/64	PF 11/4	9/32	2.1890	0.8740	211	HA 211	2.8
			95	60	126	150	25		7	55.6	22.2			2.8
211-35	23/16											211-35		2.8
UCHA 212-36	21/4											UC 212-36		3.9
212-37	23/16											212		3.9
212		60	4 ¹ / ₆₄	2 ³ / ₈	5 ¹⁹ / ₃₂	6 ¹³ / ₁₆	13/32	PF 11/4	23/64	2.5630	1.0000	212-37	HA 212	3.9
212-38	23/8		102	60	142	173	28		9	65.1	25.4	212-38		3.9
212-39	27/16											212-39		3.9
UCHA 213-40	21/2											UC 213-40		5.8
213		65	4 ³⁹ / ₆₄	2 ³ / ₄	6 ¹⁷ / ₃₂	7 ⁷ / ₈	11/4	PF 11/2	3/8	2.5630	1.0000	213	HA 213	5.8
			117	70	166	200	32		9.5	65.1	25.4			5.8
UCHA 214-43	211/16											UC 214-43		5.9
214-44	23/4											214-44		5.9
214		70	4 ³⁹ / ₆₄	2 ³ / ₄	6 ¹⁷ / ₃₂	7 ⁷ / ₈	11/4	PF 11/2	3/8	2.9371	1.1890	214	HA 214	5.9
			117	70	166	200	32		9.5	74.6	30.2			5.9
UCHA 215-46	27/8											UC 215-46		5.6
215-47	215/16											215-47		5.6
215		75	4 ³⁹ / ₆₄	2 ³ / ₄	6 ¹⁷ / ₃₂	7 ⁷ / ₈	11/4	PF 11/2	3/8	3.0630	1.3110	215	HA 215	5.6
215-48	3		117	70	166	200	32		9.5	77.8	33.3	215-48		5.6

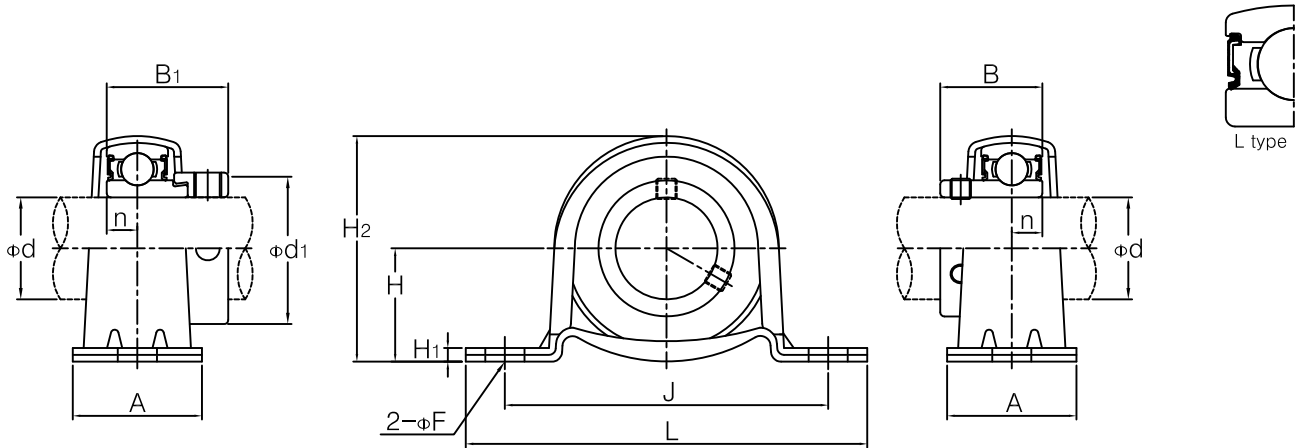
*PF : Parallel pipe threads, [Reference] 9. Parallel Pipe Threads Specification Table(PAGE F07)

PRESSED STEEL PILLOW BLOCK TYPE UNITS

SAPP2 SBPP2

(Cylindrical bore)

SAPP2(With eccentric locking collar), SBPP2(Set screw locking)



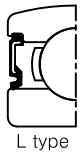
Unit No.	Shaft Dia.		Dimensions (in./mm)									Bolt used		S A P P				S B P P			Housing No.
	d (in.)	d (mm)	H	L	A	J	F	H1	H2	n	(mm)	(in.)	B ₁	d ₁	Bearing No.	Weight (kgf)	B	Bearing No.	Weight (kgf)		
SAPP SBPP 201		12													SA 201	0.19		SB 201	0.16	PP 203	
201-8	1/2													201-8	0.19		201-8	0.16			
202		15	7/8	3/8	63/64	243/64	3/8	1/8	123/32	0.2560	8	5/16	1.1260	1.1260	202	0.19	0.8858	202	0.16		
202-10	5/8		22.2	86	25	68	9.5	3.2	43.8	6.5			28.6	28.6	202-10	0.19		202-10	0.16		
203		17													203	0.19		203	0.16		
203-11	11/16														203-11	0.19		203-11	0.16		
SAPP SBPP 204-12	3/4		1	327/32	11/4	263/64	3/8	1/8	163/64	0.2953	8	5/16	1.2204	1.3110	SA 204-12	0.23	1.0039	SB 204-12	0.23	PP 204	
204		20	25.4	98	32	76	9.5	3.2	50.5	7.5			31	33.3	204	0.23	25.5	204	0.23		
SAPP SBPP 205-13	13/16														SA 205-13	0.32		SB 205-13	0.28	PP 205	
205-14	7/8														205-14	0.32		205-14	0.28		
205-15	15/16		1 1/8	4 1/4	1 1/4	325/64	29/64	5/32	215/64	0.2953	10	3/8	1.2204	1.5000	205-15	0.32	1.0630	205-15	0.28		
205		25	28.6	108	32	86	11.5	4.0	56.6	7.5			31	38.1	205	0.32	27	205	0.28		
205-16	1														205-16	0.32		205-16	0.28		
SAPP SBPP 206-17	1 1/16														SA 206-17	0.50		SB 206-17	0.47	PP 206	
206-18	1 1/8														206-18	0.50		206-18	0.47		
206		30	15 1/16	4 19/32	1 1/2	33/4	29/64	5/32	239/64	0.3543	10	3/8	1.4055	1.7520	206	0.50	1.1811	206	0.47		
206-19	13/16		33.3	117	38	95	11.5	4.0	66.3	9			35.7	44.5	206-19	0.50	30	206-19	0.47		
206-20	1 1/4														206-20	0.50		206-20	0.47		
SAPP SBPP 207-20	1 1/4														SA 207-20	0.71		SB 207-20	0.57	PP 207	
207-21	1 5/16														207-21	0.71		207-21	0.57		
207-22	1 3/8		19 1/16	5 5/64	1 21/32	45/32	29/64	3/16	3 1/8	0.3740	10	3/8	1.5315	2.1890	207-22	0.71	1.3780	207-22	0.57		
207		35	39.7	129	42	106	11.5	4.6	78	9.5			38.9	55.6	207	0.71	35	207	0.57		
207-23	1 7/16														207-23	0.71		207-23	0.57		

PRESSED STEEL OVAL FLANGE TYPE UNITS

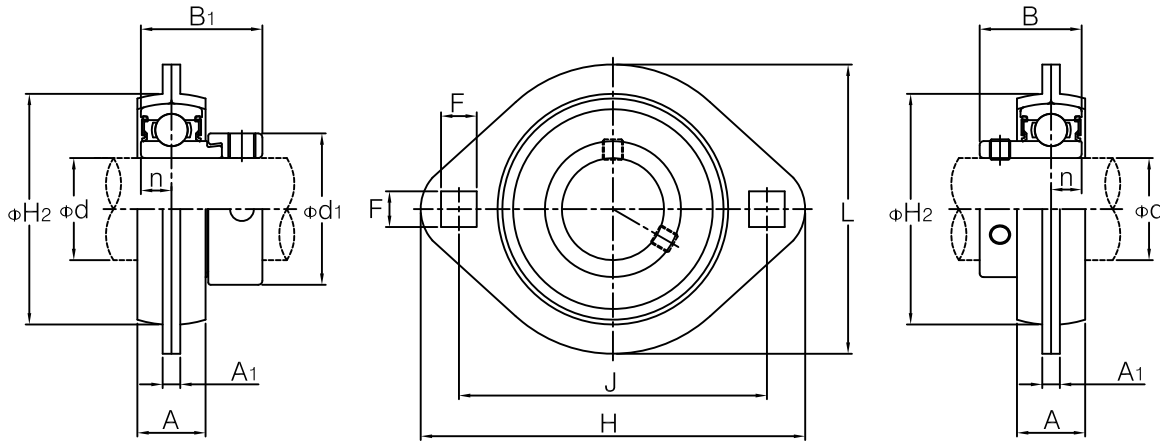
SAPFL2 SBPFL2

(Cylindrical bore)

SAPFL2(With eccentric locking collar), SBPFL2(Set screw locking)



L type



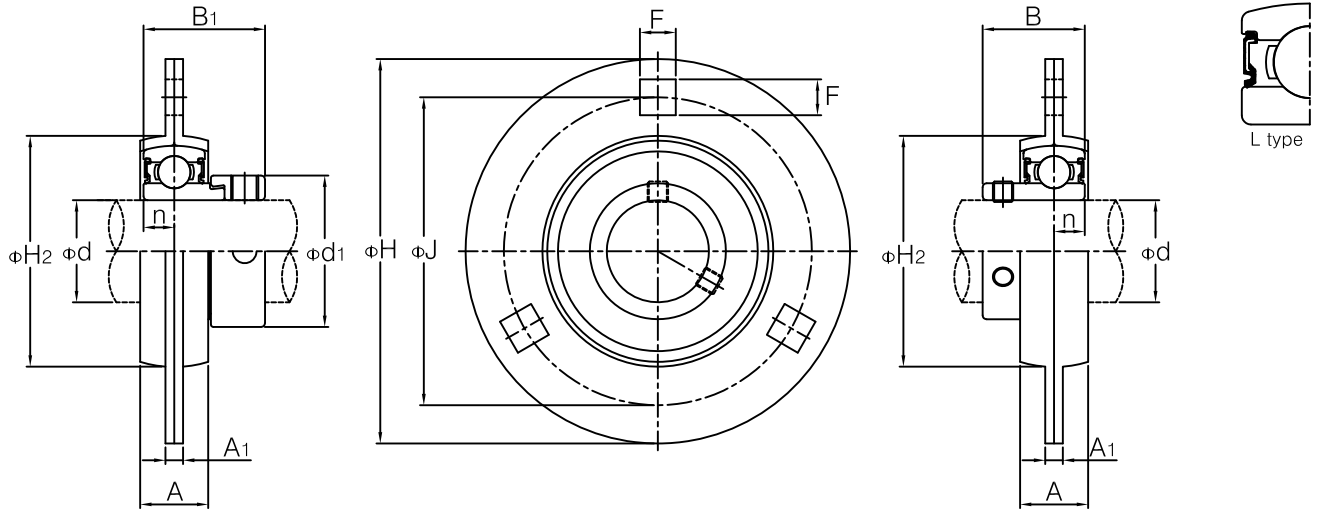
Unit No.	Shaft Dia.		Dimensions (in./mm)								Bolt used		S A P F L				S B P F L			Housing No.
	d		H	L	A	A ₁	J	F	H ₂	n	(mm)	(in.)	B ₁	d ₁	Bearing No.	Weight (kgf)	B	Bearing No.	Weight (kgf)	
	(in.)	(mm)																		
SAPFL SBPFL 201 201-8 202 202-10 203 203-11	1/2 5/8 11/16	12 15 17	33/16 81	25/16 59	9/16 14	5/32 4	21/2 63.5	9/32 7	147/64 44	0.2560 6.5	6	1/4	1.1260 28.6	1.1260 28.6	SB 201 201-8 202 202-10 203 203-11	0.22 0.22 0.22 0.22 0.22 0.22	0.8858 22.5	SB 201 201-8 202 202-10 203 203-11	0.19 0.19 0.19 0.19 0.19 0.19	PFL 203
SAPFL SBPFL 204-12 204	3/4	20	35/64 90	25/8 67	5/8 16	5/32 4	213/16 71.5	23/64 9	2 51	0.2953 7.5	8	5/16	1.2204 31	1.3110 33.3	SB 204-12 204	0.24 0.24	1.0039 25.5	SB 204-12 204	0.24 0.24	PFL 204
SAPFL SBPFL 205-13 205-14 205-15 205 205-16	13/16 7/8 15/16 1	25	33/4 95	225/32 71	23/32 18	5/32 4	3 76	23/64 9	213/64 56	0.2953 7.5	8	5/16	1.2204 31	1.5000 38.1	SB 205-13 205-14 205-15 205 205-16	0.32 0.32 0.32 0.32 0.32	1.0630 27	SB 205-13 205-14 205-15 205 205-16	0.28 0.28 0.28 0.28 0.28	PFL 205
SAPFL SBPFL 206-17 206-18 206 206-19 206-20	11/16 11/8 13/16 11/4	30	47/16 113	35/16 84	25/32 20	13/64 5.2	39/16 90.5	7/16 11	241/64 68	0.3543 9	10	3/8	1.4055 35.7	1.7520 44.5	SB 206-17 206-18 206 206-19 206-20	0.41 0.41 0.41 0.41 0.41	1.1811 30	SB 206-17 206-18 206 206-19 206-20	0.38 0.38 0.38 0.38 0.38	PFL 206
SAPFL SBPFL 207-20 207-21 207-22 207 207-23	11/4 15/16 13/8 17/16	35	429/32 125	311/16 94	53/64 21	13/64 5.2	315/16 100	7/16 11	311/32 78	0.3740 9.5	10	3/8	1.5315 38.9	2.1890 55.6	SB 207-20 207-21 207-22 207 207-23	0.70 0.70 0.70 0.70 0.70	1.3780 35	SB 207-20 207-21 207-22 207 207-23	0.62 0.62 0.62 0.62 0.62	PFL 207

PRESSED STEEL ROUND FLANGE TYPE UNITS

SAPF2 SBPF2

(Cylindrical bore)

SAPF2(With eccentric locking collar), SBPF2(Set screw locking)



Unit No.	Shaft Dia.		Dimensions (in.) (mm)							Bolt used		S A P F				S B P F			Housing No.
	d (in.)	d (mm)	H	A	A ₁	J	F	H ₂	n	(mm)	(in.)	B ₁	d ₁	Bearing No.	Weight (kgf)	B	Bearing No.	Weight (kgf)	
SAPF SBPF 201 201-8 202 202-10 203 203-11	1/2 5/8 11/16	12 15 17												SA 201 201-8 202 202-10 203 203-11	0.30 0.30 0.30 0.30 0.30 0.30		SB 201 201-8 202 202-10 203 203-11	0.27 0.27 0.27 0.27 0.27 0.27	PF 203
SAPF SBPF 204-12 204	3/4	20	35/64 90	21/32 17	5/32 4	25/32 71	23/64 9	2 51	0.2953 7.5	8	5/16	1.2204 31	1.3110 33.3	SA 204-12 204	0.33 0.33	1.0039 25.5	SB 204-12 204	0.33 0.33	PF 204
SAPF SBPF 205-13 205-14 205-15 205 205-16	13/16 7/8 15/16 1	25	3/4 95	23/32 18	5/32 4	263/64 76	23/64 9	213/64 56	0.2953 7.5	8	5/16	1.2204 31	1.5000 38.1	SA 205-13 205-14 205-15 205 205-16	0.42 0.42 0.42 0.42 0.42	1.0630 27	SB 205-13 205-14 205-15 205 205-16	0.38 0.38 0.38 0.38 0.38	PF 205
SAPF SBPF 206-17 206-18 206 206-19 206-20	11/16 11/8 13/16 11/4	30	47/16 113	3/4 19	13/64 5.2	335/64 90	7/16 11	241/64 67.2	0.3543 9	10	3/8	1.4055 35.7	1.7520 44.5	SA 206-17 206-18 206 206-19 206-20	0.65 0.65 0.65 0.65 0.65	1.1811 30	SB 206-17 206-18 206 206-19 206-20	0.62 0.62 0.62 0.62 0.62	PF 206
SAPF SBPF 207-20 207-21 207-22 207 207-23	11/4 15/16 13/8 17/16	35	413/16 122	53/64 21	13/64 5.2	315/16 100	7/16 11	31/32 77.2	0.3740 9.5	10	3/8	1.5315 38.9	2.1890 55.6	SA 207-20 207-21 207-22 207 207-23	0.90 0.90 0.90 0.90 0.90	1.3780 35	SB 207-20 207-21 207-22 207 207-23	0.82 0.82 0.82 0.82 0.82	PF 207